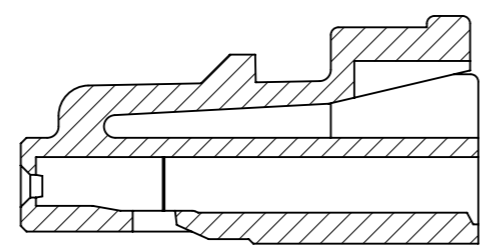
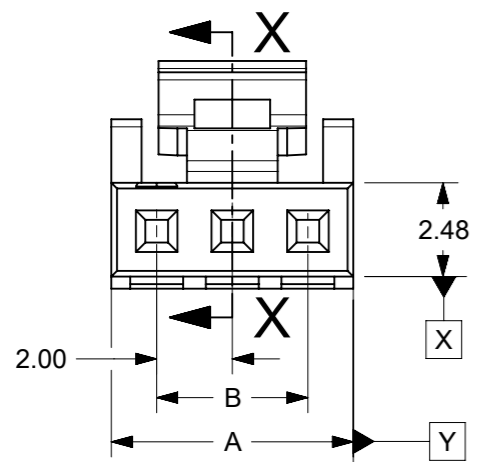
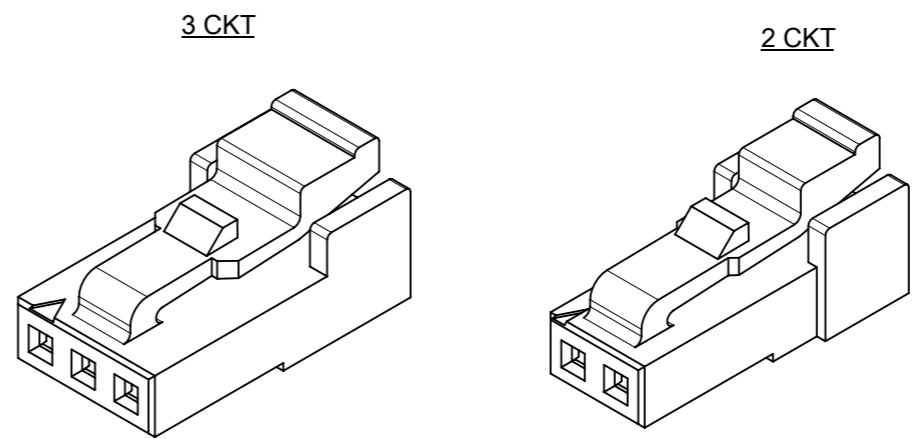
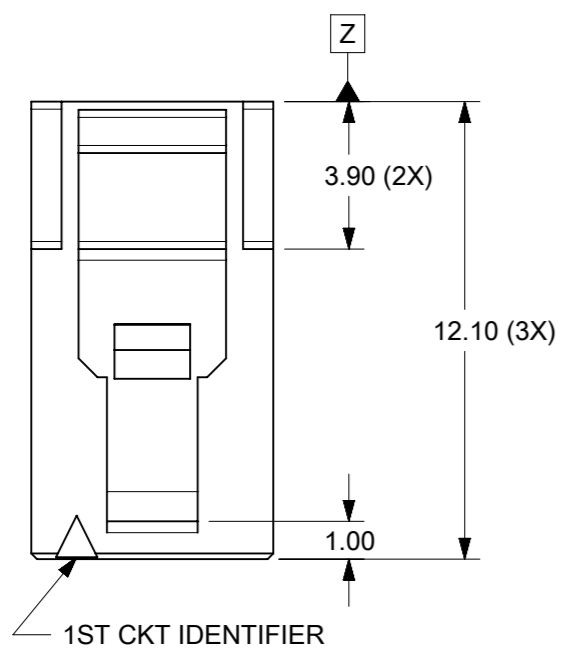
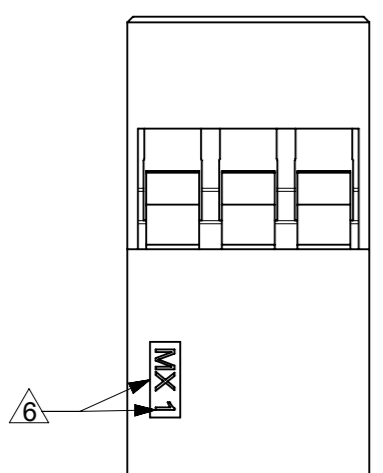
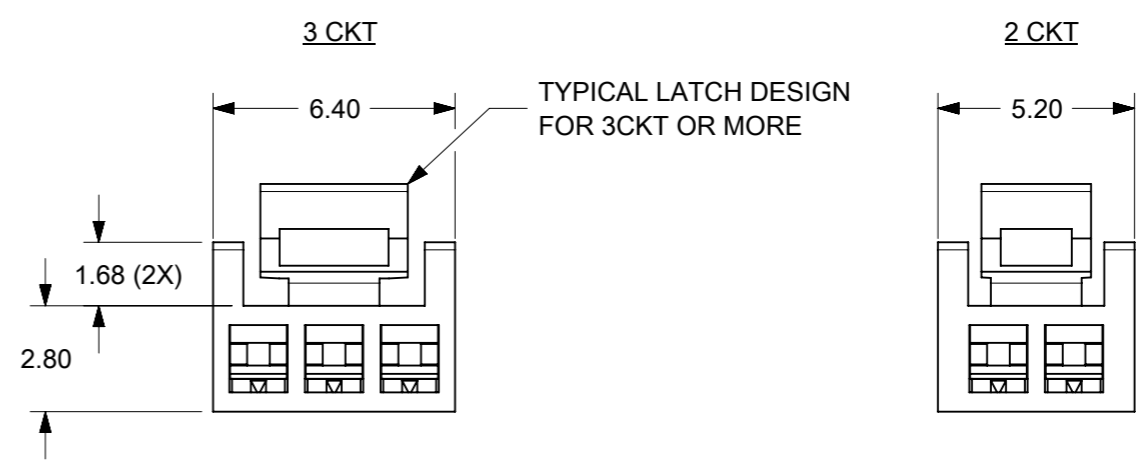


| MATERIAL NO. | CKT SIZE | DIM A | DIM B |
|--------------|----------|-------|-------|
| 1511000002 | 2 | 5.20 | 2.00 |
| 1511000003 | 3 | 6.40 | 4.00 |
| 1511000004 | 4 | 8.40 | 6.00 |
| 1511000005 | 5 | 10.40 | 8.00 |
| 1511000006 | 6 | 12.40 | 10.00 |
| 1511000007 | 7 | 14.40 | 12.00 |
| 1511000008 | 8 | 16.40 | 14.00 |
| 1511000009 | 9 | 18.40 | 16.00 |
| 1511000010 | 10 | 20.40 | 18.00 |



SECTION X-X

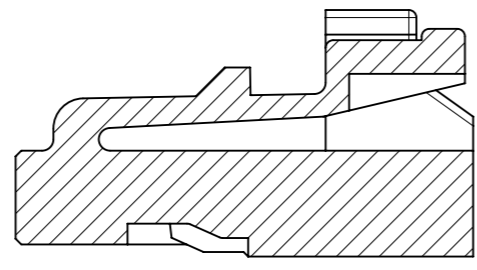
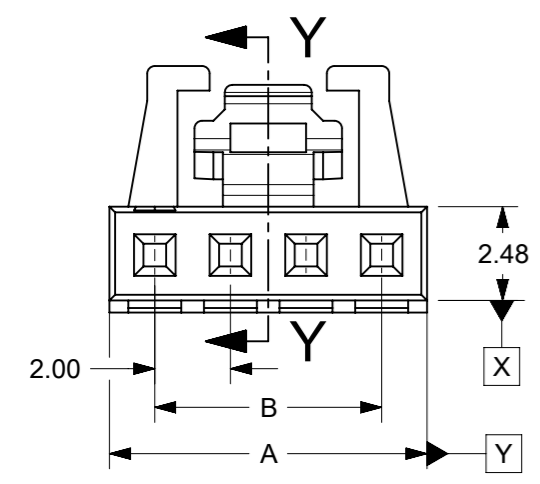
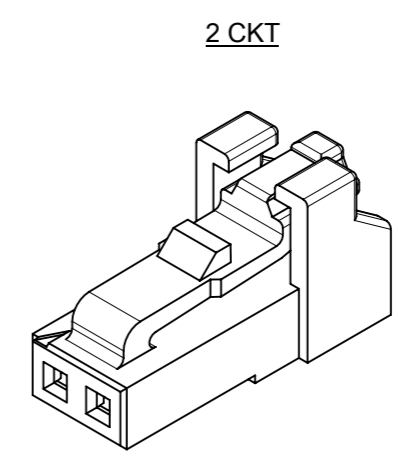
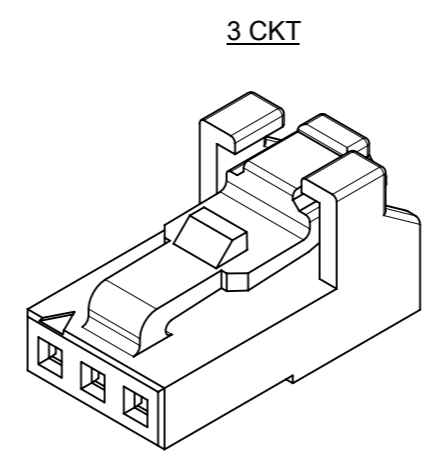
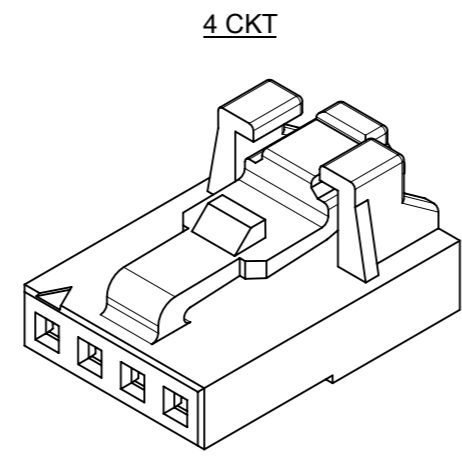
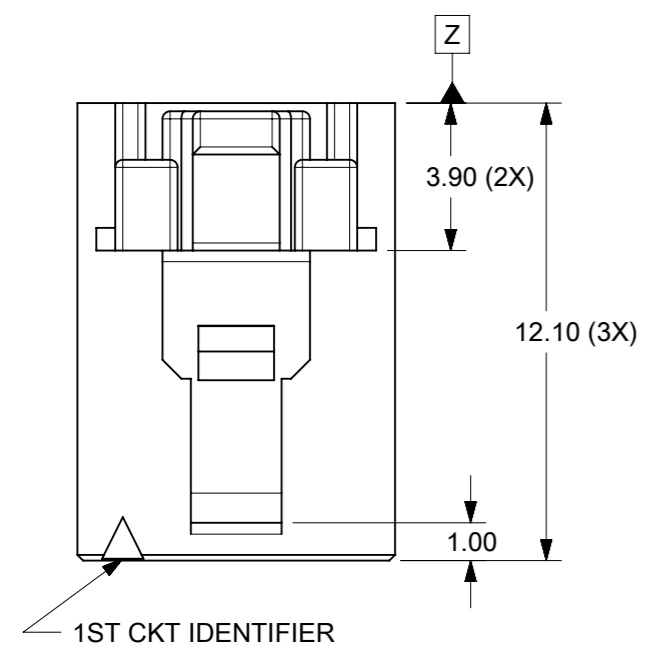


- NOTES:
1. MATERIAL: NON GLASS FILLED THERMOPLASTIC, BLACK, UL94V-0.
 2. PRODUCT SPECIFICATIONS: PS-151062-0001.
 3. PACKAGING: TRAY.
PACKAGING SPECIFICATION: PK-151100-0001.
 4. HOUSING TO BE ASSEMBLED WITH MOLEX FEMALE CRIMP TERMINAL: 50394-****.
 5. HOUSING TO BE MATED WITH MOLEX PCB HEADER AND CRIMP HEADER SERIES: 151062, 151063, 151064, 151065, 151098
 6. MANUFACTURER ID AND CAVITY NO. IS LOCATED APPROXIMATELY AS SHOWN.

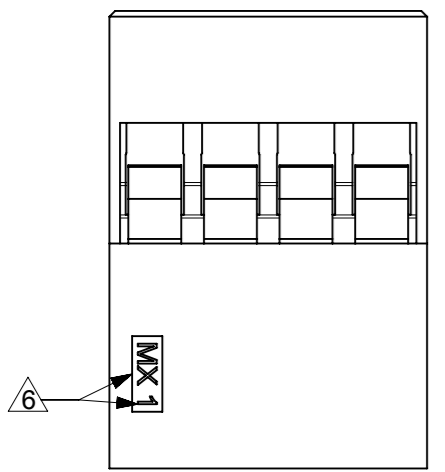
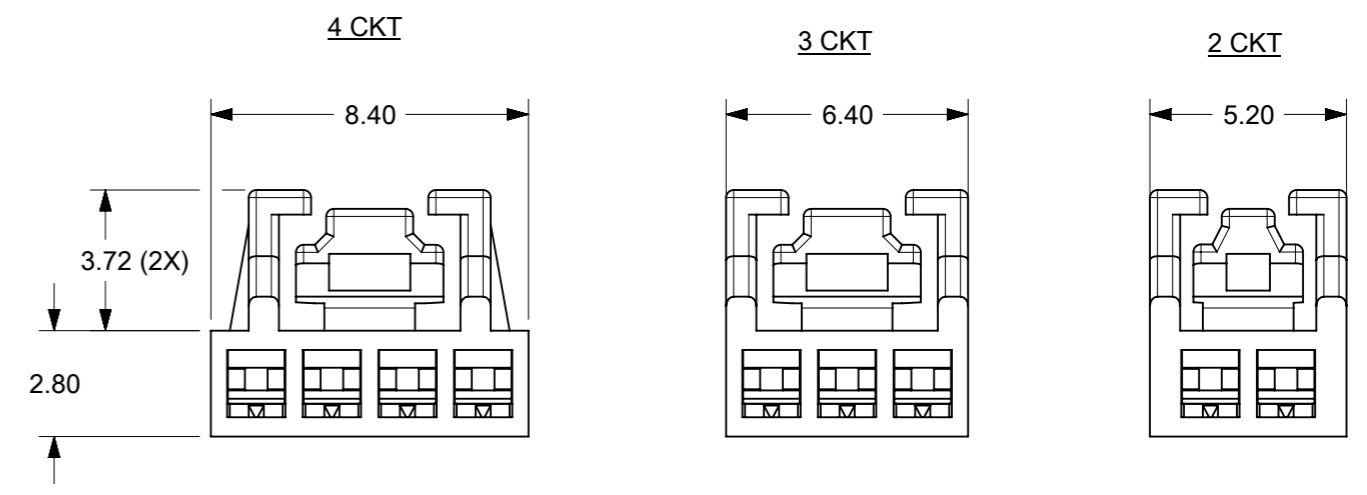
| | | | | |
|--|---|-----------------------------------|---|--|
| FUNCTIONAL SYMBOLS | THIS DRAWING CONTAINS INFORMATION THAT IS PROPRIETARY TO MOLEX ELECTRONIC TECHNOLOGIES, LLC AND SHOULD NOT BE USED WITHOUT WRITTEN PERMISSION | | | |
| | $\nabla_A = 0$ $\nabla_F = 0$ $\nabla_P = 0$ | DIMENSION UNITS: mm SCALE: NTS | | |
| DIVISIONAL SYMBOLS | GENERAL TOLERANCES (UNLESS SPECIFIED) | | SALES DRAWING | |
| | ANGULAR TOL $\pm 3.0^\circ$ | | CRIMP RECEPTACLE HOUSING SINGLE ROW MILLIGRID | |
| | 4 PLACES \pm | EC NO: 708408 | PRODUCT CUSTOMER DRAWING | |
| | 3 PLACES \pm | DRWN: PAWANC 2022/04/29 | DOCUMENT NUMBER: SD-151100-0001 | |
| 2 PLACES ± 0.2 | CHK'D: DANUSA 2022/05/27 | DOC TYPE: PSD | | |
| 1 PLACE \pm | APPR: MRAMAKRISHNA 2022/05/30 | DOC PART: 001 | | |
| 0 PLACES \pm | INITIAL REVISION: | REVISION: B | | |
| DRAFT WHERE APPLICABLE MUST REMAIN WITHIN DIMENSIONS | DRWN: FCSSO 2015/01/07 | MATERIAL NUMBER: SEE TABLE | | |
| | APPR: KHLIM 2015/07/02 | CUSTOMER: GENERAL MARKET | | |
| THIRD ANGLE PROJECTION | DRAWING: A3-SIZE | SERIES: 151100 | SHEET NUMBER: 1 OF 2 | |

WITH LATCH STOPPER

| MATERIAL NO. | CKT SIZE | DIM A | DIM B |
|--------------|----------|-------|-------|
| 1511000102 | 2 | 5.20 | 2.00 |
| 1511000103 | 3 | 6.40 | 4.00 |
| 1511000104 | 4 | 8.40 | 6.00 |
| 1511000105 | 5 | 10.40 | 8.00 |
| 1511000106 | 6 | 12.40 | 10.00 |
| 1511000107 | 7 | 14.40 | 12.00 |
| 1511000108 | 8 | 16.40 | 14.00 |
| 1511000109 | 9 | 18.40 | 16.00 |
| 1511000110 | 10 | 20.40 | 18.00 |



SECTION Y-Y



| | | | | | |
|--|---|---|---|----------|--------------|
| FUNCTIONAL SYMBOLS | THIS DRAWING CONTAINS INFORMATION THAT IS PROPRIETARY TO MOLEX ELECTRONIC TECHNOLOGIES, LLC AND SHOULD NOT BE USED WITHOUT WRITTEN PERMISSION | | | | |
| | $\nabla_A = 0$ $\nabla_E = 0$ $\nabla_V = 0$ | DIMENSION UNITS: mm SCALE: NTS | | | |
| DIVISIONAL SYMBOLS | GENERAL TOLERANCES (UNLESS SPECIFIED) | | SALES DRAWING | | |
| | ANGULAR TOL $\pm 3.0^\circ$ | | CRIMP RECEPTACLE HOUSING SINGLE ROW MILLIGRID | | |
| | 4 PLACES \pm | EC NO: 708408 | PRODUCT CUSTOMER DRAWING | | |
| | 3 PLACES \pm | DRWN: PAWANC 2022/04/29 | DOCUMENT NUMBER | DOC TYPE | DOC PART |
| | 2 PLACES ± 0.2 | CHK'D: DANUSA 2022/05/27 | SD-151100-0001 | PSD | 001 |
| 1 PLACE \pm | APPR: MRAMAKRISHNA 2022/05/30 | INITIAL REVISION: | REVISION | B | |
| 0 PLACES \pm | DRWN: FCSSO 2015/01/07 | APPR: KHLIM 2015/07/02 | MATERIAL NUMBER | CUSTOMER | |
| DRAFT WHERE APPLICABLE MUST REMAIN WITHIN DIMENSIONS | | THIRD ANGLE PROJECTION | DRAWING | SERIES | SHEET NUMBER |
| | | | A3-SIZE | 151100 | 2 OF 2 |