


Device connector, rear mounting - TU-17P1N124100 - 1612606

Please be informed that the data shown in this PDF Document is generated from our Online Catalog. Please find the complete data in the user's documentation. Our General Terms of Use for Downloads are valid (<http://phoenixcontact.com/download>)

Device connector for rear wall, straight, shielded: yes, Bayonet locking, M23, No. of pos.: 17, type of contact: Pin, Solder connection, Flat gasket, 4xM3, Panel thickness max.: 2.5 mm



Key Commercial Data

Packing unit	10 pc
GTIN	 4 046356 396479
GTIN	4046356396479

Technical data

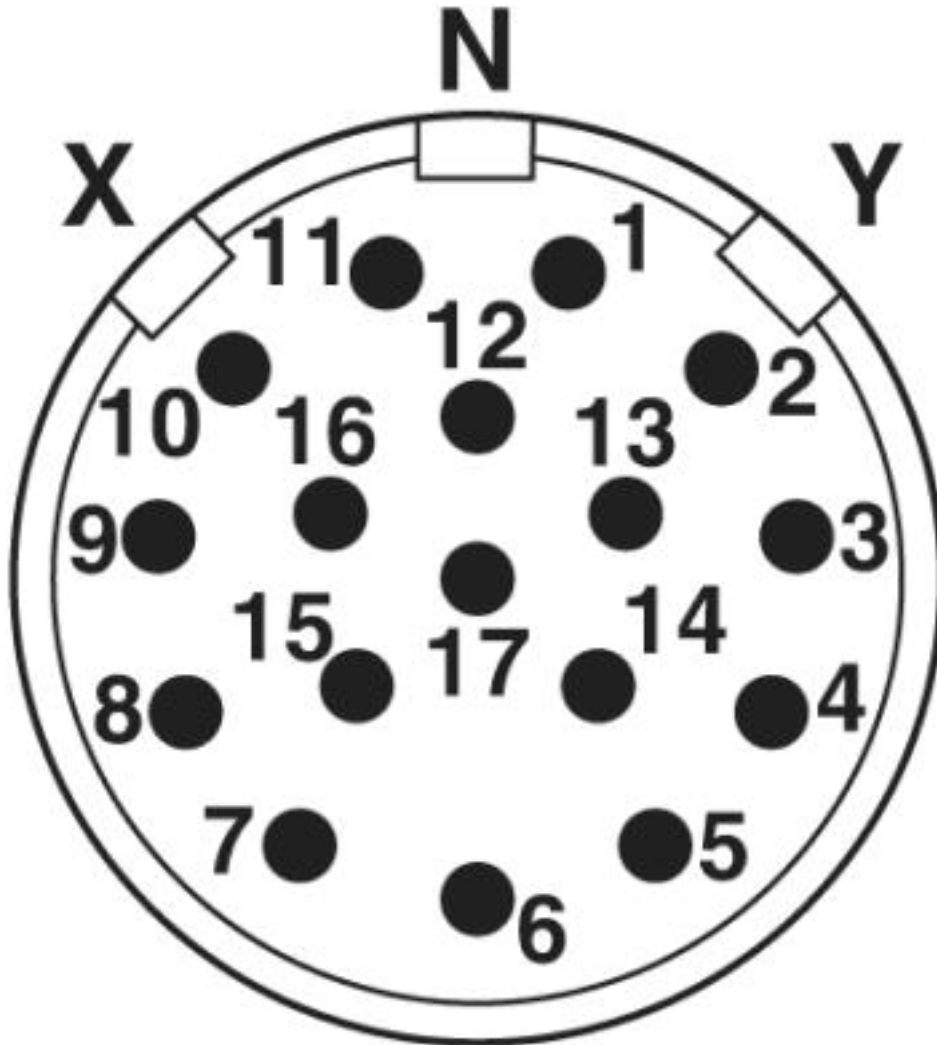
Environmental Product Compliance

	Lead 7439-92-1
China RoHS	Environmentally Friendly Use Period = 50
	For details about hazardous substances go to tab "Downloads", Category "Manufacturer's declaration"

Drawings

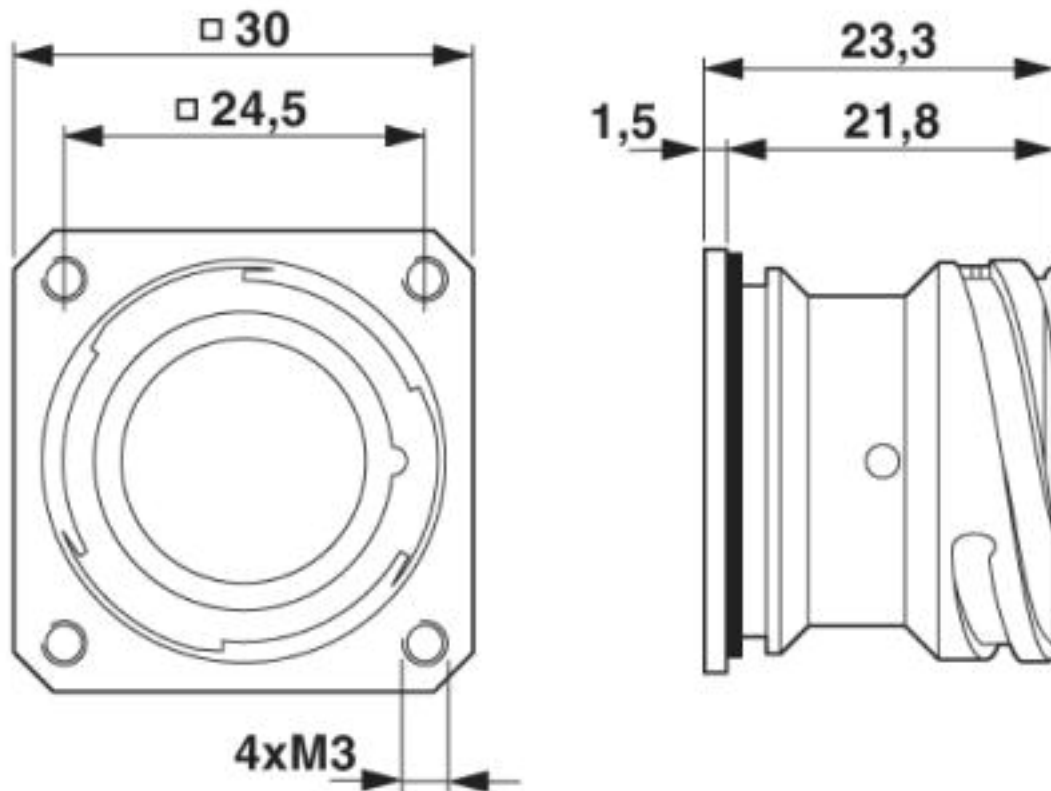
Device connector, rear mounting - TU-17P1N124100 - 1612606

Schematic diagram



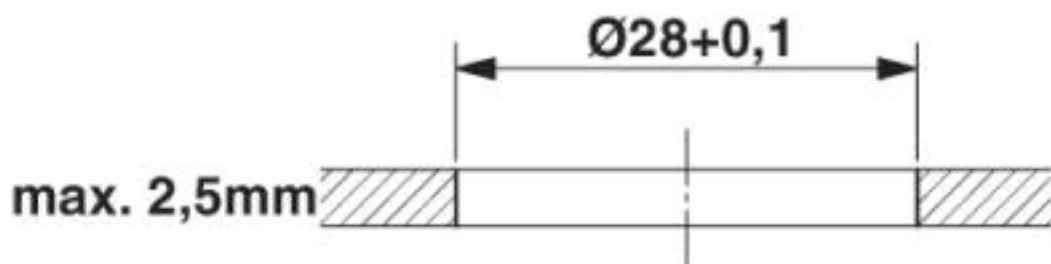
Device connector, rear mounting - TU-17P1N124100 - 1612606

Dimensional drawing



Dimensional drawing

Dimensional drawing



Installation dimensions

Approvals

Approvals

Approvals

EAC

Device connector, rear mounting - TU-17P1N124100 - 1612606

Approvals

Ex Approvals

Approval details

EAC		B.01742
-----	---	---------

Phoenix Contact 2019 © - all rights reserved
<http://www.phoenixcontact.com>

PHOENIX CONTACT GmbH & Co. KG
Flachmarktstr. 8
32825 Blomberg
Germany
Tel. +49 5235 300
Fax +49 5235 3 41200
<http://www.phoenixcontact.com>