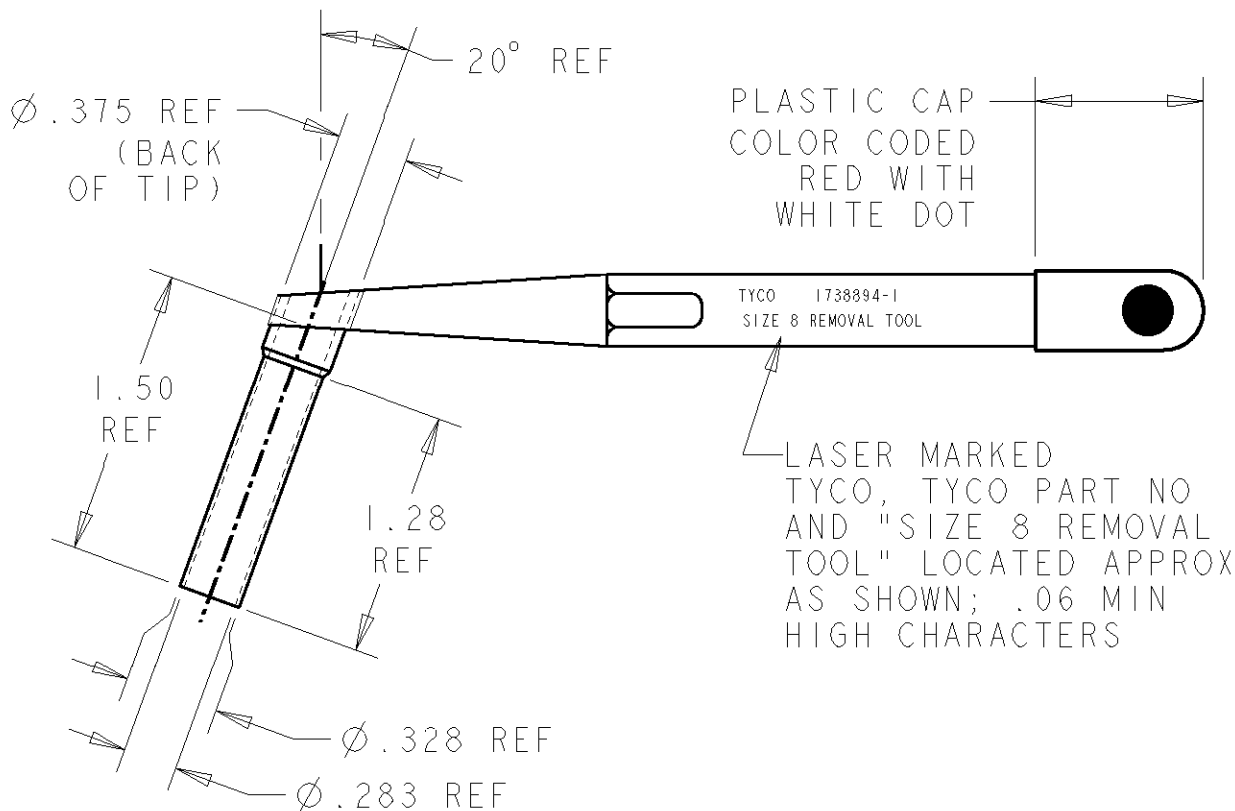


LOC	DIST	REVISIONS			
P	LTR	DESCRIPTION	DATE	DWN	APVD
DF	A5	0	RELEASED PER ECN 0H14-0835-04	07DEC2004	BY RW



1. MATERIAL: STAINLESS STEEL.
2. FINISH: PASSIVATED.
3. TIPS TO HAVE  $.010 \pm .005$  GAP BETWEEN HALVES WHEN APPROPRIATE I.D. PIN GAGE IS INSTALLED.

1738894-1

PART  
NUMBER

THIS DRAWING IS UNPUBLISHED. RELEASED FOR PUBLICATION BY TYCO ELECTRONICS CORPORATION. ALL RIGHTS RESERVED. COPYRIGHT 20

DIMENSIONS: IN	DWN	Brent D. Yohn	07DEC2004	MATERIAL	-	FINISH	-
	CHK	R.P. WALTER	07DEC2004	Tyco Electronics Harrisburg, PA 17105-3608			
TOLERANCES UNLESS OTHERWISE SPECIFIED:	APVD	R.P. WALTER	07DEC2004				
0 PLC ±-	PRODUCT SPEC	-					
1 PLC ±-	APPLICATION SPEC	-					
2 PLC ±-	WEIGHT	-					
3 PLC ±-	SIZE						
4 PLC ±-	A 4						
ANGLES ±-	CAGE CODE						
	00779						
	DRAWING NO						
	C=1738894						
	RESTRICTED TO						
	-						
	CUSTOMER DRAWING						
	SCALE						
	NTS						
	SHEET						
	1 OF 1						
	REV						
	0						