

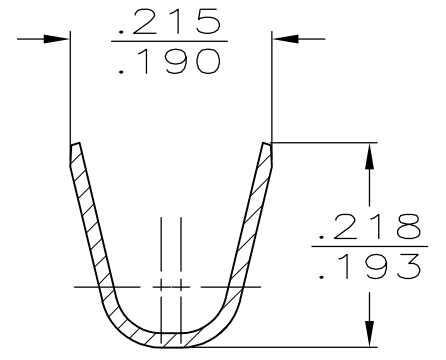
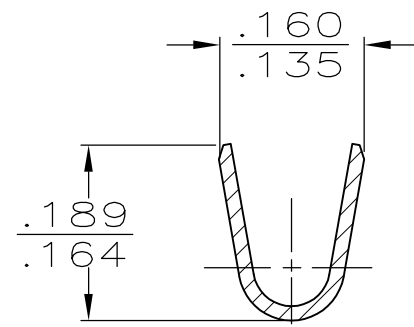
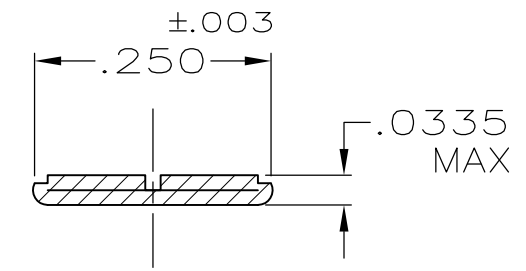
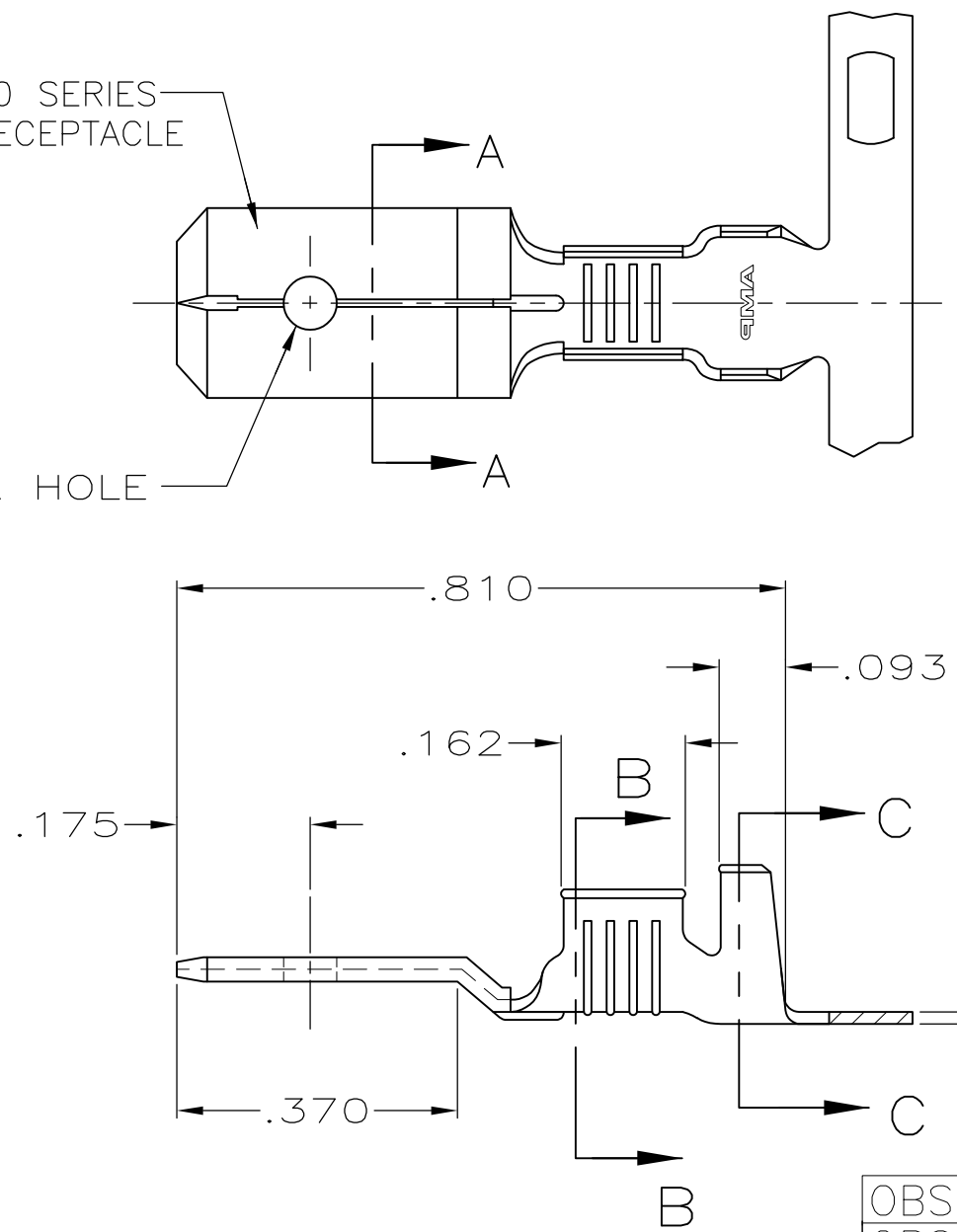
THIS DRAWING IS UNPUBLISHED. RELEASED FOR PUBLICATION
 © COPYRIGHT - By - ALL RIGHTS RESERVED.

LOC	DIST	REVISIONS			
P	LTR	DESCRIPTION	DATE	DWN	APVD
AF	50	J	REVISED PER ECR-13-011489	06DEC2013	KH PD

1 CONTINUOUS STRIP ON REELS.

FITS .250 SERIES FASTON RECEPTACLE

.075
.060 DIA HOLE



TIN	.110-.170 DIA	14-12 AWG	61281-3
OBSOLETE			61281-2
OBSOLETE	SILVER .000150 MIN		61281-1
FINISH	INSULATION RANGE	WIRE SIZE	PART NO

THIS DRAWING IS A CONTROLLED DOCUMENT.		DWN	JR RUTH	1/31/91	TE Connectivity TAB, FASTON™ .250 SERIES					
DIMENSIONS: INCHES		CHK	MS FEHER	1/31/91						
TOLERANCES UNLESS OTHERWISE SPECIFIED:		APVD	C MEYERS	1/31/91/31/91						
0 PLC ± - 1 PLC ± - 2 PLC ± - 3 PLC ± .005 4 PLC ± - ANGLES ± -		PRODUCT SPEC	-							
MATERIAL	BRASS	FINISH	SEE TABLE	WEIGHT	-					
CUSTOMER DRAWING			SIZE	A3	CAGE CODE	00779	DRAWING NO	C-61281	RESTRICTED TO	-
SCALE			4:1	SHEET		1 OF 1	REV	J		