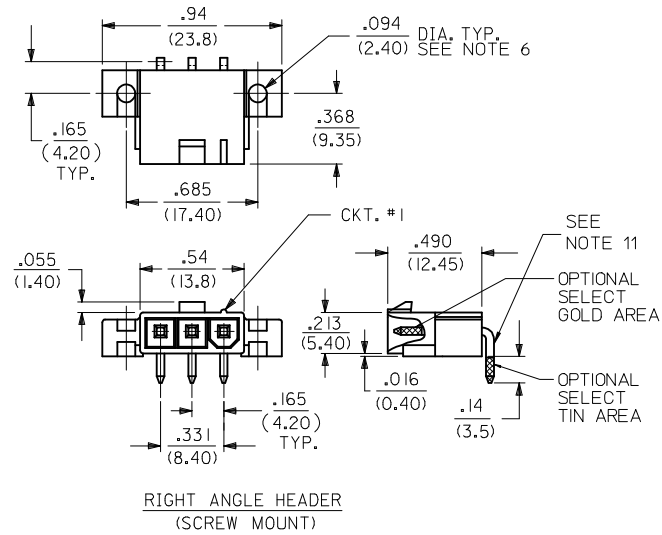
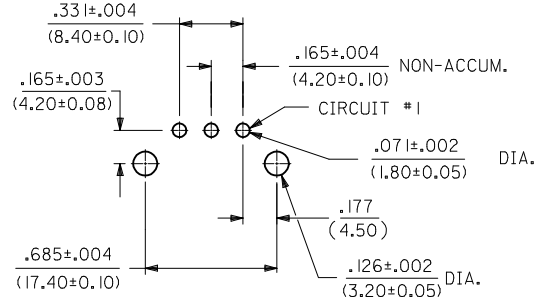


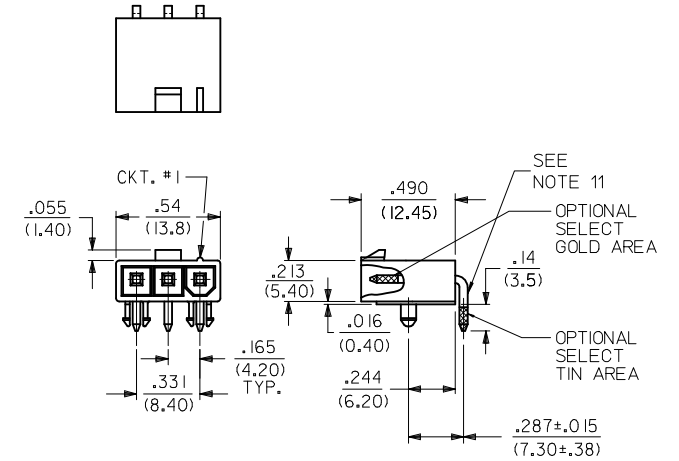
| | | |
|-------------|--------------|--------------------|
| PART NUMBER | MOUNT OPTION | PLATING SEE NOTE 2 |
| 172648-0103 | PEG | TIN |
| 172648-1103 | PEG | GOLD |



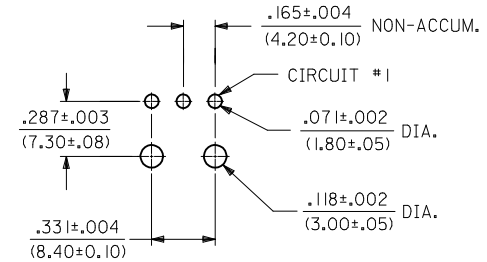
RIGHT ANGLE HEADER
(SCREW MOUNT)



RECOMMENDED HOLE LAYOUT FOR
.070/(1.78) MAX. THICK P.C. BOARD
VIEWED FROM COMPONENT SIDE



RIGHT ANGLE HEADER
(PEG MOUNT)



RECOMMENDED HOLE LAYOUT FOR
.070/(1.78) MAX. THICK P.C. BOARD
VIEWED FROM COMPONENT SIDE

NOTES:

- MATERIAL:
HOUSING:
UNFILLED NYLON, UL94V-2, IEC 60335-1
5TH EDITION GLOW WIRE CAPABLE, COLOR - BLACK.
TERMINAL MATERIAL: BRASS ALLOY
- TERMINAL PLATING:
TIN = .000100/(0.00254) MIN. MATTE TIN OVER
.000050/(0.00127) MIN. NICKEL OVERALL.
GOLD = .000030/(0.00076) MIN. SELECT GOLD, .000100/(0.00254) MIN. SELECT
MATTE TIN OVER .000050/(0.00127) MIN. NICKEL OVERALL
- PRODUCT SPECIFICATION: PS-5556-001.
- PACKAGING SPECIFICATION: PK-5569-002.
- PART MATES WITH MOLEX RECEPTACLE 46994 SERIES.
- PART IS DESIGNED FOR USE WITH #4 OR M3 SELF TAPPING SCREWS.
- DISCOLORATION IN THE BANDOLIER CARRIER AREA OF THE PIN IS INHERENT TO THE PLATING PROCESS AND IS DUE TO THE MASKING EFFECT OF THE CARRIER. THIS DISCOLORATION IS IN A NON-FUNCTIONAL AREA OF THE PIN AND WILL NOT AFFECT THE PERFORMANCE OF THE HEADER ASSEMBLY.
- CONNECTORS ARE NOT TO BE MATED AND UNMATED WHILE CIRCUITS ARE LIVE.
- PARTS ARE NOT DESIGNED FOR CURRENT SHARING.
- PART CONFORMS TO CLASS "B" REQUIREMENTS OF COSMETIC SPECIFICATION PS-45499-002. WITH THE EXCEPTION OF DISCOLORATION, FLASH AND SINK MEET CLASS "C" REQUIREMENTS.
- FORMING MARKS ON PINS ARE ACCEPTABLE

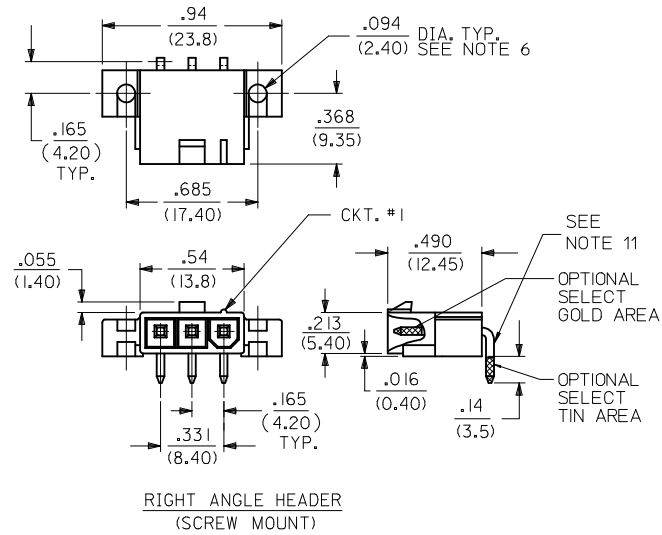
172648 - * * 03

PLATING
SEE NOTE 2
0 = TIN
1 = GOLD

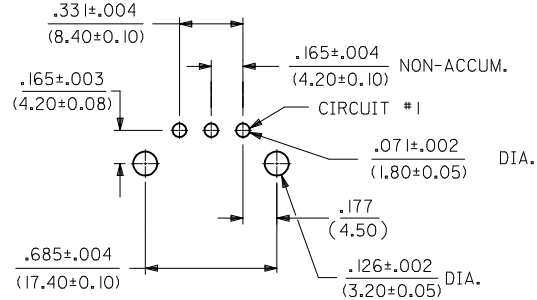
ASSEMBLY TYPE
1 = SINGLE ROW W/PEGS, POSITIVE LOCK
2 = SINGLE ROW W/SCREW MOUNT, POSITIVE LOCK

| | | | | | | | | | | | | | |
|--|--------------------------------------|---------------------------------------|-----------------------|--------------------------|----------------------|---|------------------------|--|---------------------------|--------------------------------|---------------------|--------------------|--|
| CREATE DRAWING EC NO: UCP2013-4208 DRAWN: NGUYEN 2014/04/11 CHKD: JBELL 2014/04/11 APPR: FSMITH 2014/05/16 | QUALITY SYMBOLS ▽=0 ▽=0 ▽=0 | GENERAL TOLERANCES (UNLESS SPECIFIED) | | DIMENSION STYLE IN/MM | | SCALE 2:1 | DESIGN UNITS METRIC | THIRD ANGLE PROJECTION | | | | | |
| | | 4 PLACES ± --- ± --- | 3 PLACES ± --- ± .010 | 2 PLACES ± 0.25 ± .015 | 1 PLACE ± 0.38 ± --- | 0 PLACE ± --- ± --- | ANGULAR ± 5 ° | DRAFT WHERE APPLICABLE MUST REMAIN WITHIN DIMENSIONS | MATERIAL NO. SEE CHART | DOCUMENT NO. SD-172648-0001 | SHEET NO. 1 OF 1 | | |
| DRAWN BY NGUYEN | | DATE 2014/04/11 | | CHECKED BY JBELL | | DATE 2014/04/11 | | APPROVED BY FSMITH | | DATE 2014/05/16 | | | |
| TITLE 3 CKT GLOW WIRE HEADER MINI-FIT JR. SERIES (SINGLE ROW) | | DRAWN BY NGUYEN | | DATE 2014/04/11 | | CHECKED BY JBELL | | DATE 2014/04/11 | | APPROVED BY FSMITH | | DATE 2014/05/16 | |
| MATERIAL NO. SEE CHART | | DOCUMENT NO. SD-172648-0001 | | SHEET NO. 1 OF 1 | | THIS DRAWING CONTAINS INFORMATION THAT IS PROPRIETARY TO MOLEX INCORPORATED AND SHOULD NOT BE USED WITHOUT WRITTEN PERMISSION | | | | | | | |

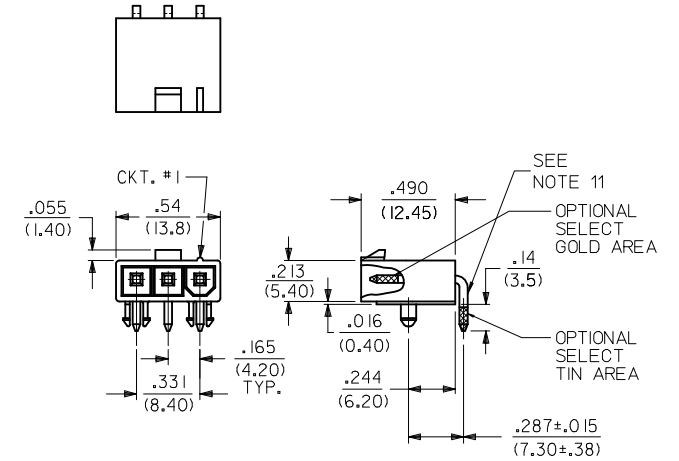
| | | |
|-------------|--------------|--------------------|
| PART NUMBER | MOUNT OPTION | PLATING SEE NOTE 2 |
| 172648-0103 | PEG | TIN |
| 172648-1103 | PEG | GOLD |



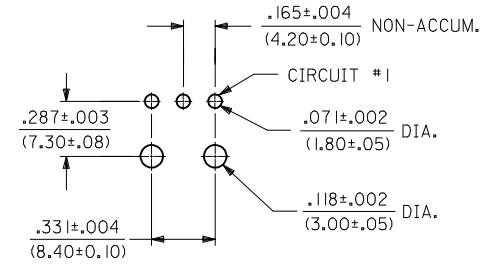
RIGHT ANGLE HEADER
(SCREW MOUNT)



RECOMMENDED HOLE LAYOUT FOR
.070/(1.78) MAX. THICK P.C. BOARD
VIEWED FROM COMPONENT SIDE



RIGHT ANGLE HEADER
(PEG MOUNT)



RECOMMENDED HOLE LAYOUT FOR
.070/(1.78) MAX. THICK P.C. BOARD
VIEWED FROM COMPONENT SIDE

NOTES:

- MATERIAL:
HOUSING:
UNFILLED NYLON, UL94V-2, IEC 60335-1
5TH EDITION GLOW WIRE CAPABLE, COLOR - BLACK.
TERMINAL MATERIAL: BRASS ALLOY
- TERMINAL PLATING:
TIN = .000100/(0.00254) MIN. MATTE TIN OVER
.000050/(0.00127) MIN. NICKEL OVERALL.
GOLD = .000030/(0.00076) MIN. SELECT GOLD, .000100/(0.00254) MIN. SELECT
MATTE TIN OVER .000050/(0.00127) MIN. NICKEL OVERALL
- PRODUCT SPECIFICATION: PS-5556-001.
- PACKAGING SPECIFICATION: PK-5569-002.
- PART MATES WITH MOLEX RECEPTACLE 46994 SERIES.
- PART IS DESIGNED FOR USE WITH #4 OR M3 SELF TAPPING SCREWS.
- DISCOLORATION IN THE BANDOLIER CARRIER AREA OF THE PIN IS
INHERENT TO THE PLATING PROCESS AND IS DUE TO THE MASKING
EFFECT OF THE CARRIER. THIS DISCOLORATION IS IN A NON-FUNCTIONAL
AREA OF THE PIN AND WILL NOT AFFECT THE PERFORMANCE OF THE
HEADER ASSEMBLY.
- CONNECTORS ARE NOT TO BE MATED AND UNMATED WHILE CIRCUITS ARE LIVE.
- PARTS ARE NOT DESIGNED FOR CURRENT SHARING.
- PART CONFORMS TO CLASS "B" REQUIREMENTS OF COSMETIC
SPECIFICATION PS-45499-002. WITH THE EXCEPTION OF DISCOLORATION,
FLASH AND SINK MEET CLASS "C" REQUIREMENTS.
- FORMING MARKS ON PINS ARE ACCEPTABLE

172648 - * * 03

PLATING
SEE NOTE 2
0 = TIN
1 = GOLD

ASSEMBLY TYPE
1 = SINGLE ROW W/PEGS, POSITIVE LOCK
2 = SINGLE ROW W/SCREW MOUNT, POSITIVE LOCK

| | | | | | | | | | | | | | |
|---|--------------------------------------|---------------------------------------|-----------------------|--------------------------|----------------------|---------------------|------------------------|--|---------------------------|--------------------------------|---------------------|--------------------|--|
| CREATE DRAWING EC NO: UCP2013-4208 DRAWN: NGUYEN 2014/04/11 CHKD: JBELL 2014/04/11 APPR: FSMITH 2014/05/16 | QUALITY SYMBOLS ▽=0 ▽=0 ▽=0 | GENERAL TOLERANCES (UNLESS SPECIFIED) | | DIMENSION STYLE IN/MM | | SCALE 2:1 | DESIGN UNITS METRIC | THIRD ANGLE PROJECTION | | | | | |
| | | 4 PLACES ± --- ± --- | 3 PLACES ± --- ± .010 | 2 PLACES ± 0.25 ± .015 | 1 PLACE ± 0.38 ± --- | 0 PLACE ± --- ± --- | ANGULAR ± 5 ° | DRAFT WHERE APPLICABLE MUST REMAIN WITHIN DIMENSIONS | MATERIAL NO. SEE CHART | DOCUMENT NO. SD-172648-0001 | SHEET NO. 1 OF 1 | | |
| TITLED 3 CKT GLOW WIRE HEADER MINI-FIT JR. SERIES (SINGLE ROW) | | DRAWN BY NGUYEN | | DATE 2014/04/11 | | CHECKED BY JBELL | | DATE 2014/04/11 | | APPROVED BY FSMITH | | DATE 2014/05/16 | |
| THIS DRAWING CONTAINS INFORMATION THAT IS PROPRIETARY TO MOLEX INCORPORATED AND SHOULD NOT BE USED WITHOUT WRITTEN PERMISSION | | | | | | | | | | | | | |