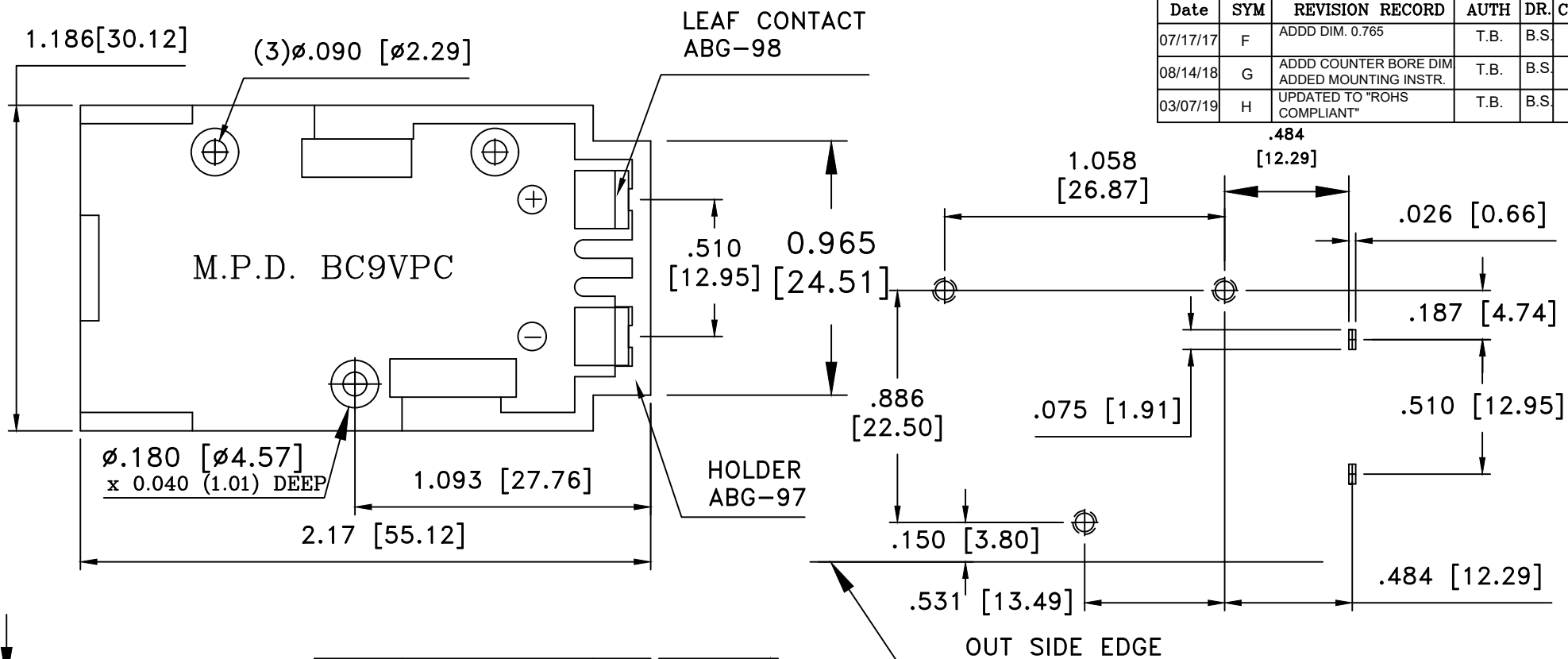


Date	SYM	REVISION RECORD	AUTH	DR.	CK.
07/17/17	F	ADD DIM. 0.765	T.B.	B.S.	
08/14/18	G	ADD COUNTER BORE DIM ADDED MOUNTING INSTR.	T.B.	B.S.	
03/07/19	H	UPDATED TO "ROHS COMPLIANT"	T.B.	B.S.	




PCB LAYOUT

Mounting Instruction:

Use 2-56 machine screws or eyelets 0.089" OD by 0.15" flange stimpson GS-3 series or equivalent. Also adhesives and double sided tapes work well.

ROHS COMPLIANT

Tolerance (Except as noted)	 Memory Protection Devices, Inc 200 Broad Hollow Road, Farmingdale, New York 11735		
decimal ±.5 (.020)	Scale XX	Drawn By B.S.	
Fractional ±.8 (.030)	Title BC 9V PC ASSEMBLY		
Angular ± 3°	Date 03/07/19	Drawing Number BC9VPC	

FEATURES REVERSE POLARITY PROTECTION

QTY REQ'D	PART NO.	DESCRIPTION	MATERIAL
1	ABG-97	BC 9V PC HOLDER	HIGH IMPACT ABS BLACK, UL94V-0 File No.E56070(S)
2	ABG-98	BC 9V PC LEAF CONTACT	PHOSPHOR BRONZE NICKEL PLATED