

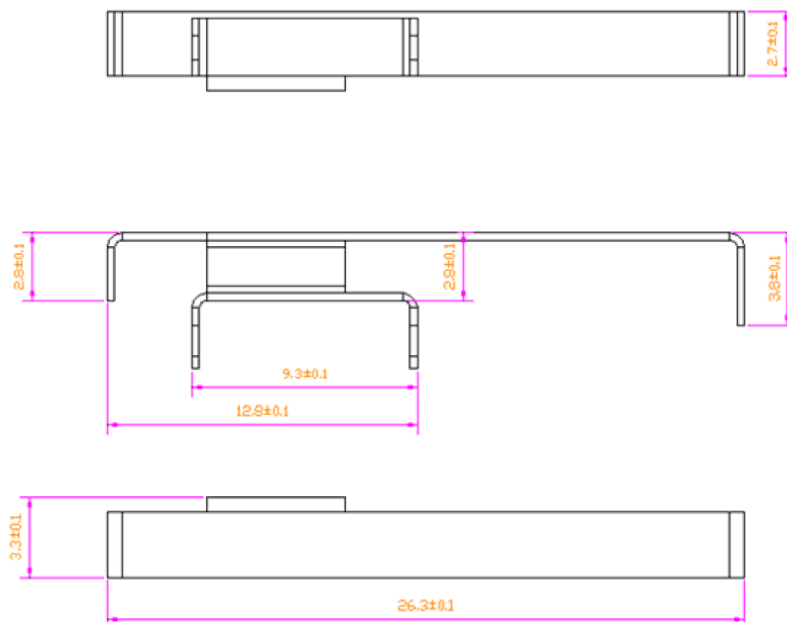
# Maswell WiFi/Bluetooth 2.4/5.8GHz dualband Metal SMD Chip Antenna

## AN\_W\_CA\_2630\_T05

### 1、 Introduction

- ❖ Maswell Microwave Chip Antenna series are designed to be used in WLAN、 WiFi、 Bluetooth、 PHS applications.
- ❖ All the models are of compact size and are engineered for SMD chip design.

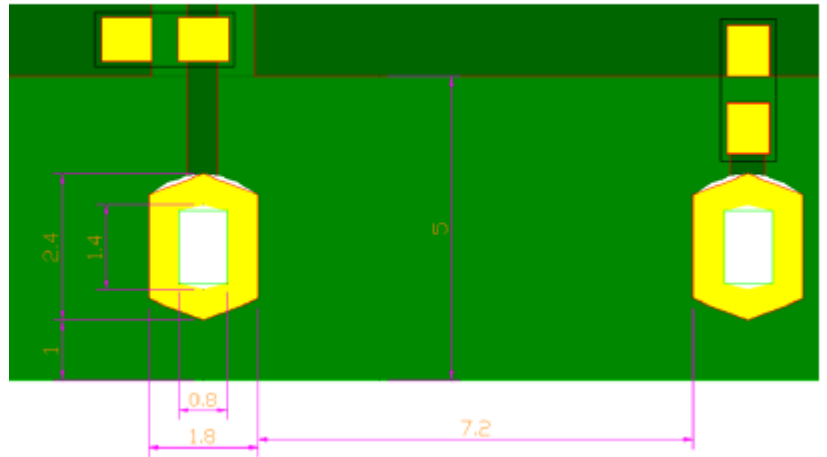
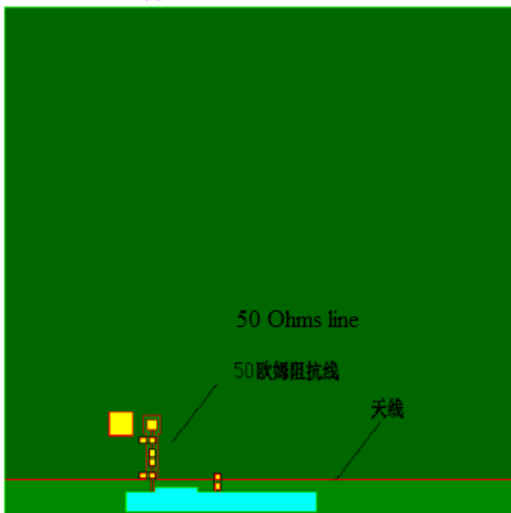
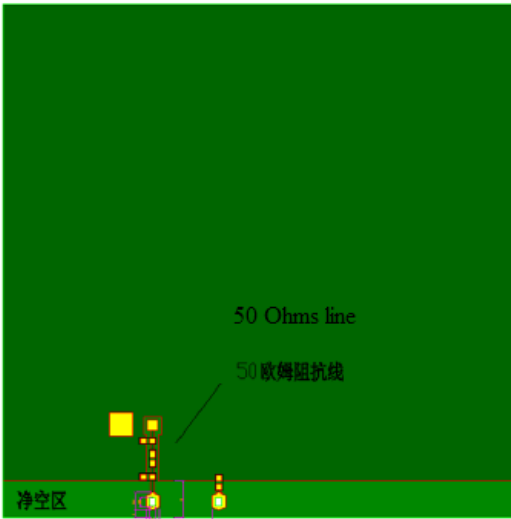
### 2、 Dimensions 2630 Foot Print ( Unit: mm)



# Maswell WiFi/Bluetooth 2.4/5.8GHz dualband Metal SMD Chip Antenna

AN\_W\_CA\_2630\_T05

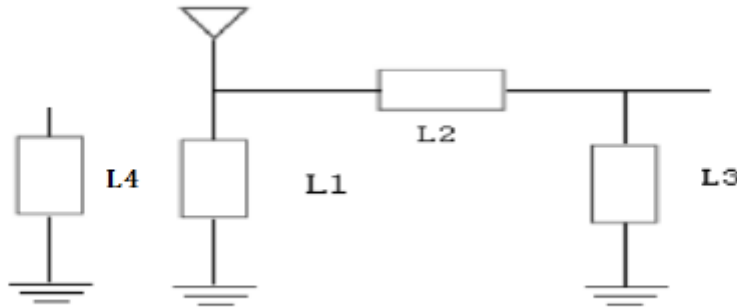
## 3、 Evaluation Board and Matching Circuits 2630 Foot Print



# Maswell WiFi/Bluetooth 2.4/5.8GHz dualband Metal SMD Chip Antenna

AN\_W\_CA\_2630\_T05

## 4、Circuit Design



Location	Description	Antenna Type
L1	N/A	
L2	10PF	
L3	N/A	
L4	0 Ω	
注 主板不同匹配不同 需要针对性调试		

# Maswell WiFi/Bluetooth 2.4/5.8GHz dualband Metal SMD Chip Antenna

## AN\_W\_CA\_2630\_T05

### 5、Electrical Characteristics

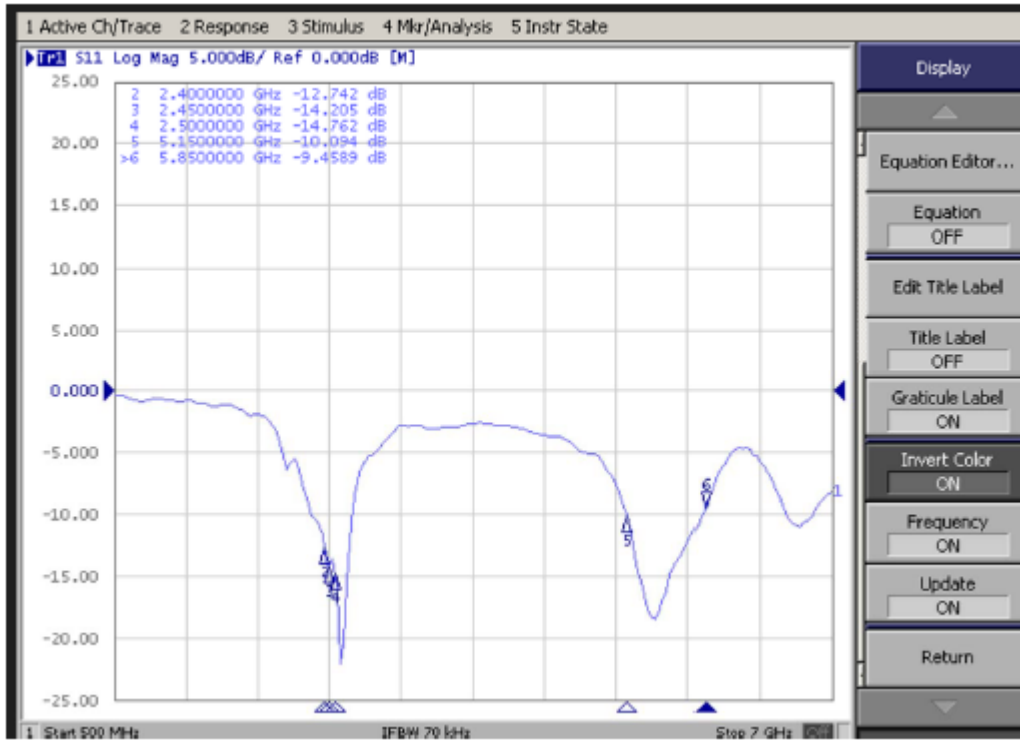
No.	Item	Specifications
5.1	Aftermatching	<b>2400~2500MHz</b> <b>5150~5850MHz</b>
5.2	Efficiency	<b>&gt;60%</b>
5.3	Peak Gain	<b>3dBi</b>
5.4	V. S. W. R	<b>≤2.0</b>
5.5	Polarization	Linear
5.6	Azimuth Beam Width	Omni-directional
5.7	Impedance	<b>50Ω</b>

# Maswell WiFi/Bluetooth 2.4/5.8GHz dualband Metal SMD Chip Antenna

AN\_W\_CA\_2630\_T05

## 6、Return Loss

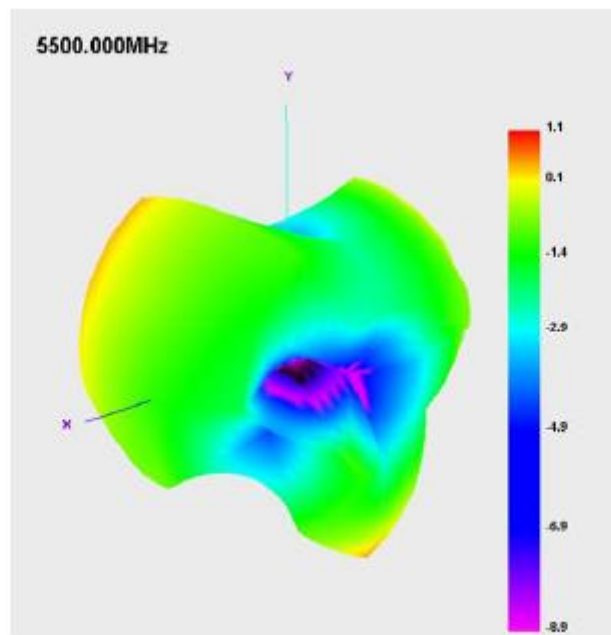
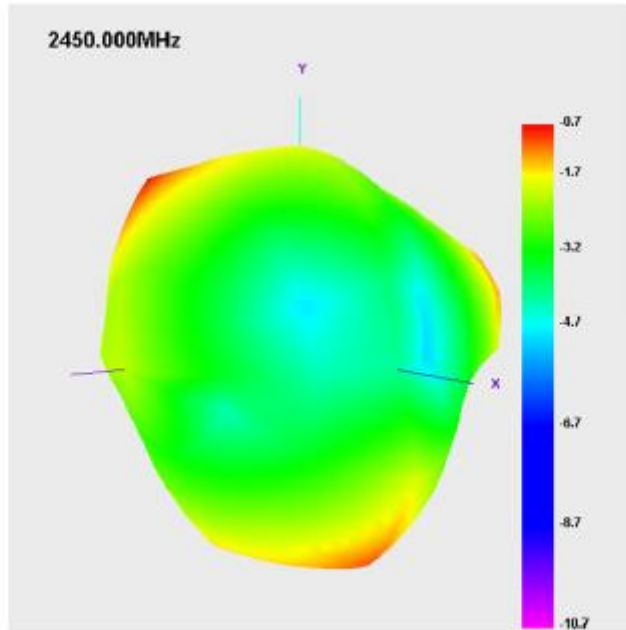
Reference for frequency tuning element



# Maswell WiFi/Bluetooth 2.4/5.8GHz dualband Metal SMD Chip Antenna

AN\_W\_CA\_2630\_T05

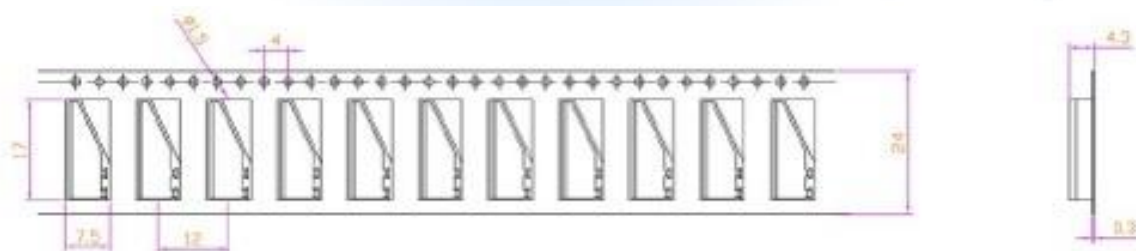
## 7、Radiation Patterns



# Maswell WiFi/Bluetooth 2.4/5.8GHz dualband Metal SMD Chip Antenna

AN\_W\_CA\_2630\_T05

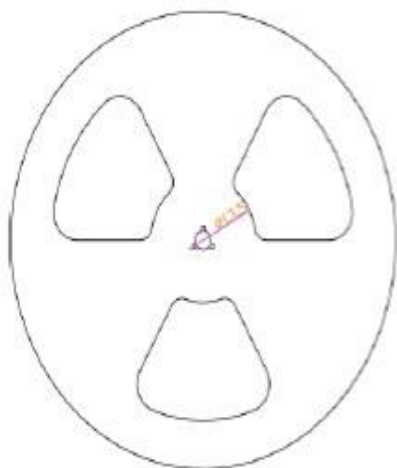
## 8.1 Storage



Remarks for Package:

Reserve a length of 150~200mm for the trailer of the carrier and 250~300 mm for the leader of the carrier and further 250mm of cover tape at the leading part of the carrier.

## 8.2 Reel(1500pcs/Reel)



## 8.3 Storage Period

Oxidizable, 12 months in vacuum sealed bag. Material, please repack within 168 hours by re-seal the package treatment after use them!

Storage Temperature Range: <30 degree C

Humidity: <60% RH