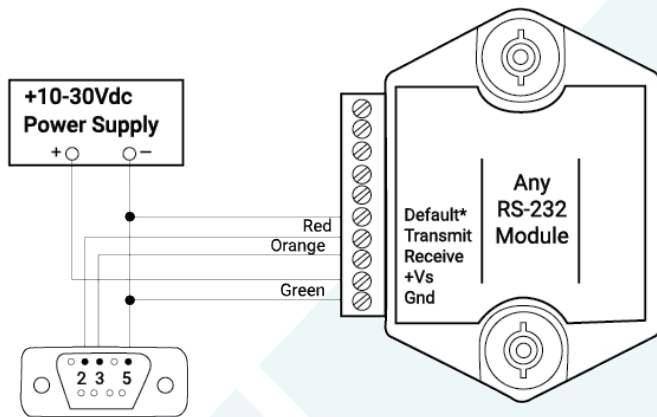


The CA-3 Cable Assembly can be used to connect DGH modules to a host computer serial port. The cable can be used with both RS-232 and RS-485 modules. Several connection methods using the CA-3 cable are listed below. A table of pin numbers and wire colors is also included for applications that require the other cable conductors in the cable.

### RS-232 MODULE TO DB-9 RS-232 SERIAL PORT:

#### Connections

CA-3	MODULE
Green	GND
Red	TRANSMIT
Orange	RECEIVE

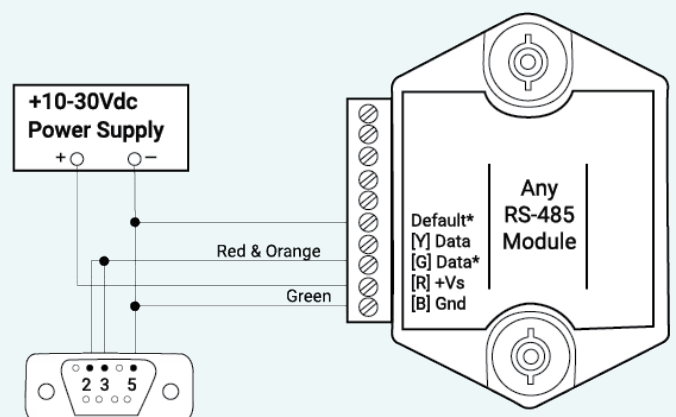


Connect RS-232 Module to DB-9 using CA-3 Cable.

### RS-485 QUICK-HOOKUP TO DB-9 RS-232 SERIAL PORT:

#### Connections

CA-3	MODULE
Green	(B) GND
Red	(G) DATA*
Orange	(G) DATA*



Quick Hook-up RS-485 Module to DB-9 using CA-3 Cable.

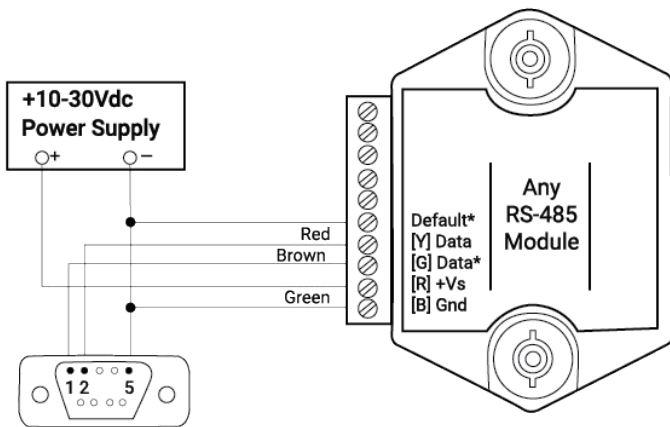
**NOTE:** This connection method cannot, and should not, be used for or during normal RS-485 application use.

# CA-3 CABLE ASSEMBLY USAGE

## RS-485 MODULE TO USB-COMI:

### Connections

CA-3	MODULE
Green	(B) GND
Brown	(G) DATA*
Red	(Y) DATA

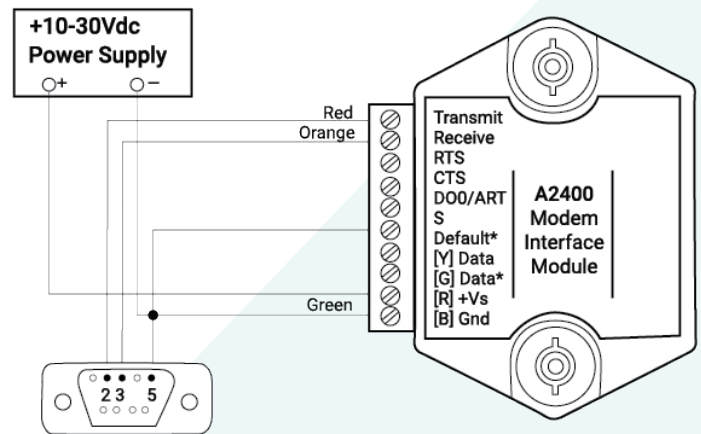


Connect RS-485 Module to USB-COMi Serial Port

## A2400 TO DB-9 RS-232 SERIAL PORT:

### Connections

CA-3	MODULE
Green	GND
Red	TRANSMIT
Orange	RECEIVE



Connect A2400 to DB-9 Serial Port using CA-3 cable.

**NOTE:** Additional wiring connections maybe required to properly implement the RS-232 Request-to-Send (RTS) and Clear-to-Send (CTS) signals. The A2400 RTS output pin is normally connected to the CTS pin on a DB-9 connector. The A2400 CTS input pin is normally connected to the RTS pin on a DB-9 connector.

## CA-3 PIN OUT & WIRE COLORS:

PIN NUMBER	WIRE COLOR
1	BROWN
2	RED
3	ORANGE
4	YELLOW
5	GREEN
6	BLUE
7	PURPLE
8	WHITE
9	BLACK

### NOTES:

1. Unused leads on this cable should be terminated and covered in order to prevent electrical short circuits between unused wires.
2. DGH Corporation is not responsible for the use, misuse, wiring, or mis-wiring of this cable or any damage that occurs during the wire connection process, plugging into equipment, or any damage on either end of the cable.