

Type LPR-08-L (Left Hand Exit) “Add-On” Automotive Fuse Holder Regular Automotive Blade Type Fuse



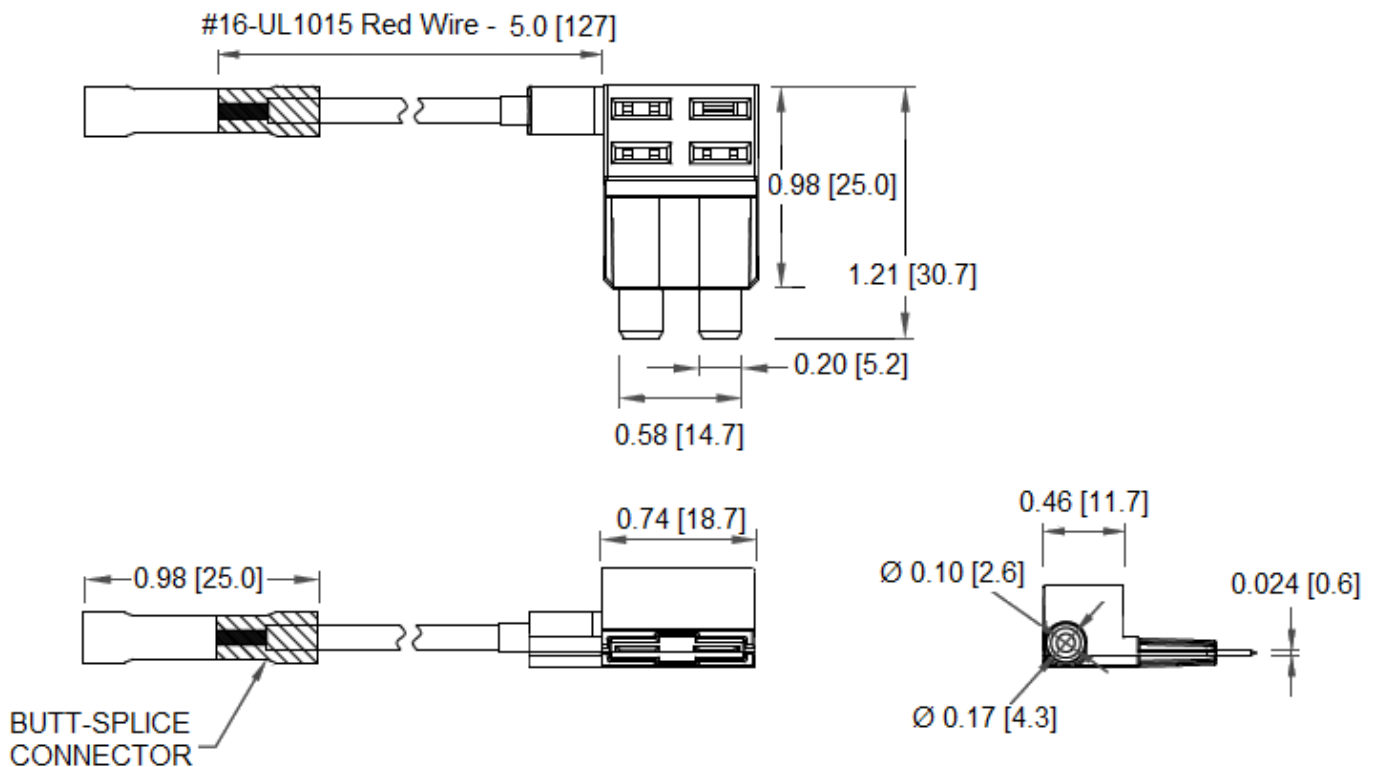
www.optifuse.com

(619) 593-5050

Rating: 58VDC
 Max Combined Current - Both Circuits - 30A
 Max Primary Circuit - 25A
 Max Auxiliary Circuit - 15A

Body Material: Nylon PA66 UL94V-0
 Terminals: Tin plated Brass
 For use with Type APM Fuse (Miniature Automotive Blade Type)
 Wire: 16 AWG Red Wire, UL1015 105°C
 Connector: Butt-Splice Connector

Mechanical Dimensions: Inches [mm]



Warning: 	-Operation beyond the specified maximum ratings or improper use may result in damage and possible electrical arcing and/or flame.
	-Device is intended for occasional overcurrent protection. Application for repeated overcurrent condition and/or prolonged trip are not anticipated.

-Avoid contact of device with chemical solvent. Prolonged contact will damage the device performance.