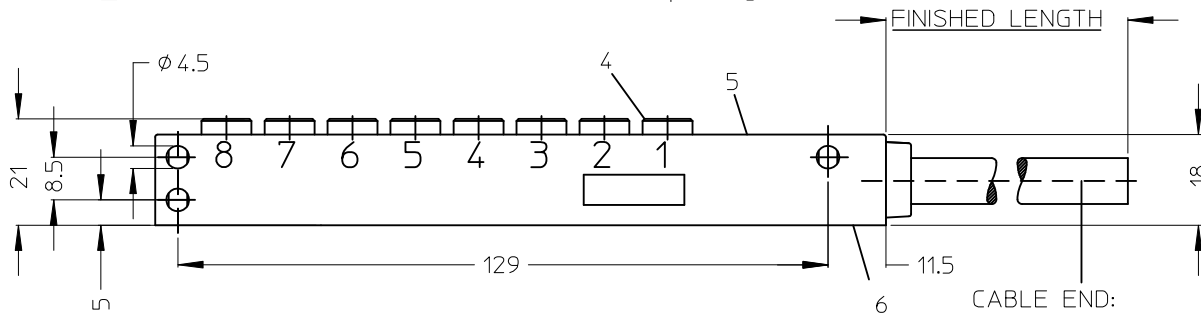
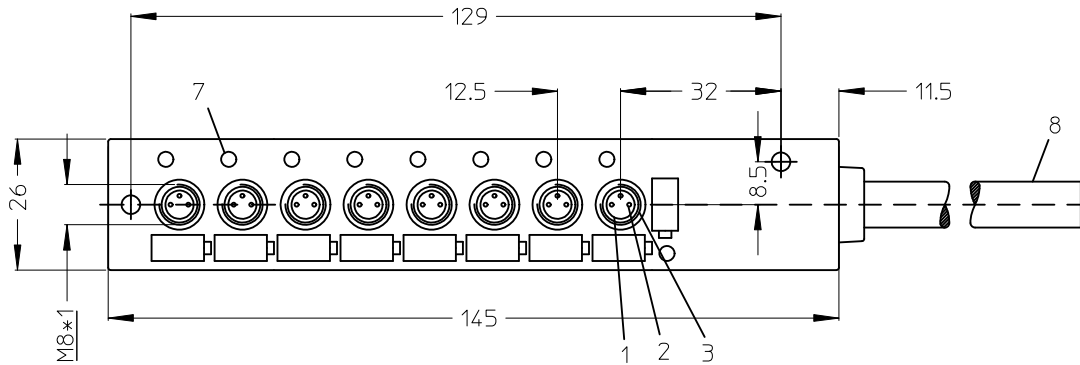


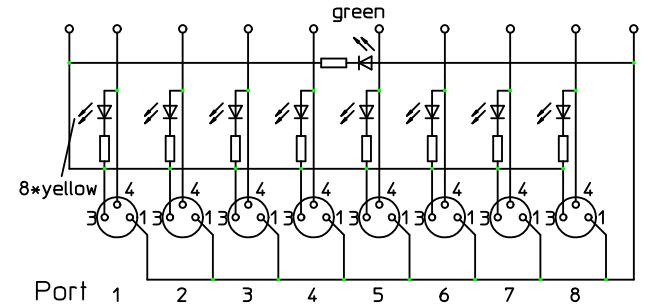
SAP-NUMBER	OLD PART NUMBER	FINISHED LENGTH
1201130012	BEY801P-FBM-05	5000
1201130013	BEY801P-FBM-10	10000
1200540231	BEY801P-FBM-15	15000



CABLE END:
 OUTER SHEATH STRIPPED 100 mm
 CONDUCTOR STRIP 5 mm

CLOSURE CAP

SAP no. 1203080677
 Quantity 2



Contact configuration	wire colour		wire mm ²	Port	M8 connector Contact-No.
	brown	(+)	0.75	1-8	1
	blue	(-)	0.75	1-8	3
	white		0.34	1	4
	green		0.34	2	4
	yellow		0.34	3	4
	grey		0.34	4	4
	pink		0.34	5	4
	red		0.34	6	4
black		0.34	7	4	
violet		0.34	8	4	

VOLTAGE RATING	10 - 30 VDC
AMPERAGE RATING PER PORT	2 A MAX./PORT 6 A MAX. TOTAL
PROTECTION	IP 67
OPERATING TEMPERATURE	-25°C / +90 °C

ITEM	COMPONENT	MATERIAL	FINISH
1	INSERT	PUR	BLACK
2	CONTACT SOCKET	BRASS	GOLD OVER NICKEL
3	O-RING	VITON	---
4	RECEPTACLE SHELL	BRASS	NICKEL PLATED
5	HOUSING	PBT	YELLOW
6	LABEL	ABS	WHITE
7	LENS	PA	CLEAR
8	CABLE	PUR/PVC	---

NEW RELEASE
 EC NO: WEU2010-0248
 DRWN:SBH 2010/01/08
 CHKD:APOHL WEU 2010/01/08
 APPR:NSTAUDIGEL 2010/01/29

QUALITY SYMBOLS

 =0

DESCRIPTION

REV

	GENERAL TOLERANCES (UNLESS SPECIFIED)	
	mm	INCH
4 PLACES	± ---	± ---
3 PLACES	± ---	± ---
2 PLACES	± ---	± ---
1 PLACE	± 0.3	± ---
ANGULAR ± ---°		

DRAFT WHERE APPLICABLE
 MUST REMAIN WITHIN DIMENSIONS

DIMENSION STYLE		SCALE	DESIGN UNITS
MM ONLY			METRIC
DRAWN BY	DATE	TITLE	
SBH	2010/01/08	M8-MPIS 8 PORT CABLE 3 POL STRAIGHT OUTLINE	
CHECKED BY	DATE	MOLEX INCORPORATED	
APOHL WEU	2010/01/08	DOCUMENT NO. SD-120113-015	
APPROVED BY	DATE	SHEET NO. 1 OF 1	
NSTAUDIGEL	2010/01/29		
MATERIAL NO.	SEE TABLE		

THIRD ANGLE PROJECTION

MOLEX INCORPORATED

SD-120113-015

1 OF 1

THIS DRAWING CONTAINS INFORMATION THAT IS PROPRIETARY TO MOLEX INCORPORATED AND SHOULD NOT BE USED WITHOUT WRITTEN PERMISSION