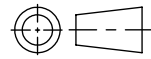
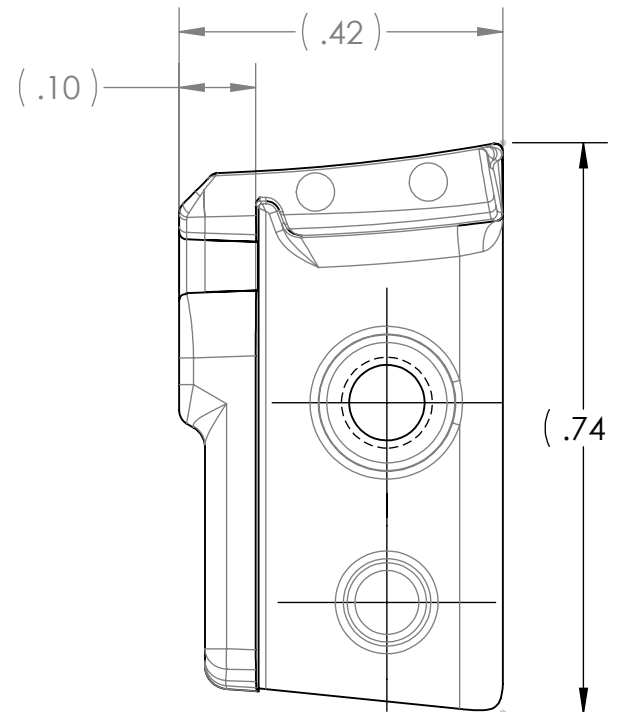
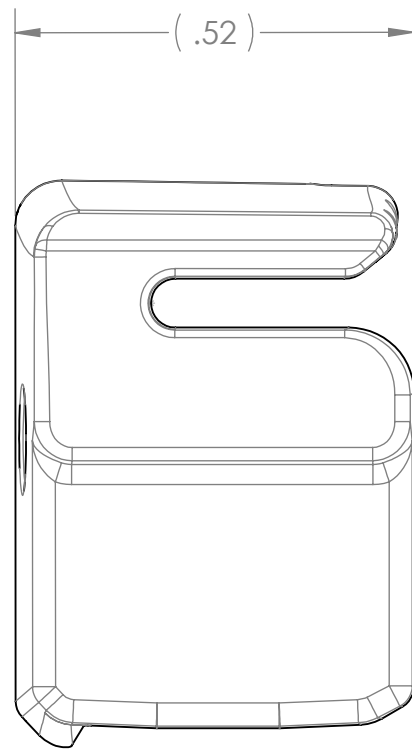
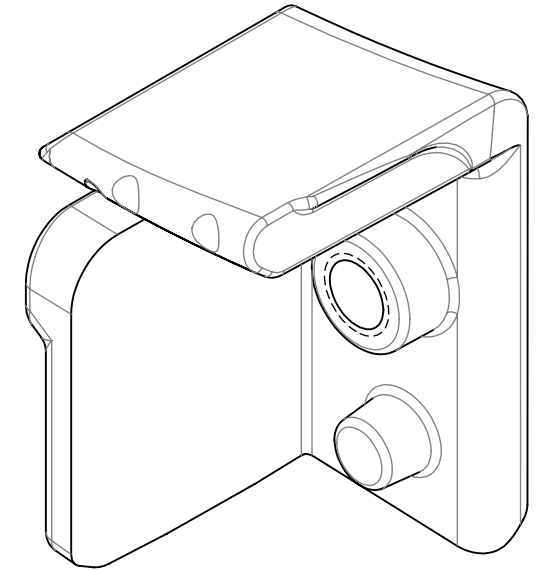
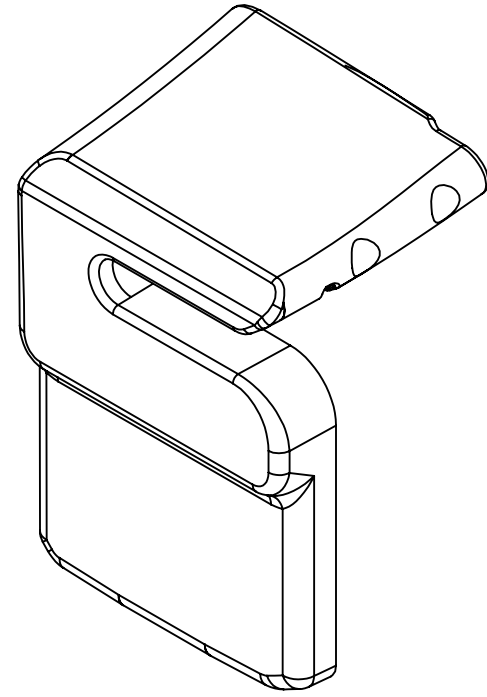


SW2010



Revision level		Revision Record	Changed	Date	Approved	Date
Drawing	Part					
00	-	SEE ECN# 300043	TJM	07/30/2012	TJM	07/30/2012



NOTE: TIE TAIL LENGTH INCREASED BY APPROXIMATELY 2MM OVER STANDARD NOSEPIECE

Notes	Material	Units	Drawn	TJM	07/30/2012	Article/Type-No	110-70132	Scale	4:1		
	METAL	inches	Approved	TJM	07/30/2012	Title	NOSEPIECE ALTERNATE 2MM TIE TAIL	Project Number	PRP07-022		
	Dimension without tolerances details to: .xxxx = ±.0005 .xxx = ±.005 .xx = ±.01 .x = ±.03 None = ±.06 ∠ = ±0.5°		The copyright of this drawing is reserved by HellermannTyton. It is issued on condition that it is not reproduced, copied, or disclosed to a third party, either wholly or in part, without the consent of HellermannTyton.		<p>North America Email: corp@htamericas.com Web: www.hellermann.tyton.com</p>		Drawing-No	07-022-452-CSU	Production : Phase	Format	B
							Sheet	1/1			