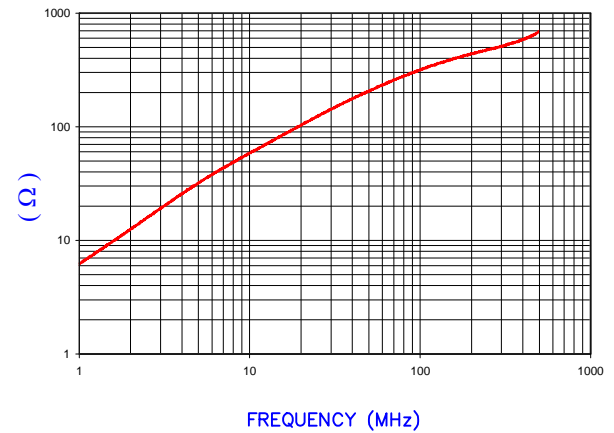


IMPEDANCE (Z)			
Frequency	25 MHz	100 MHz	300 MHz
Nominal (REF)	130 Ω	320 Ω	510 Ω
Minimum	- Ω	256 Ω	- Ω

Z vs. FREQUENCY
(REF. ONLY)

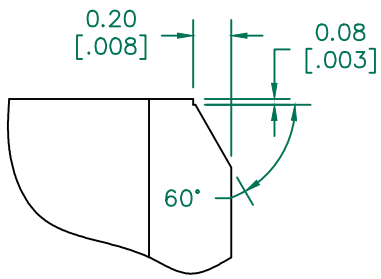
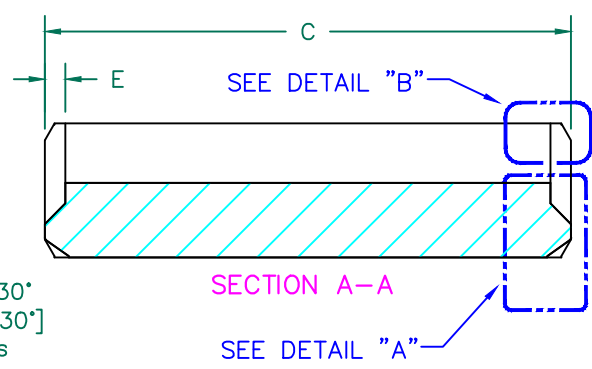
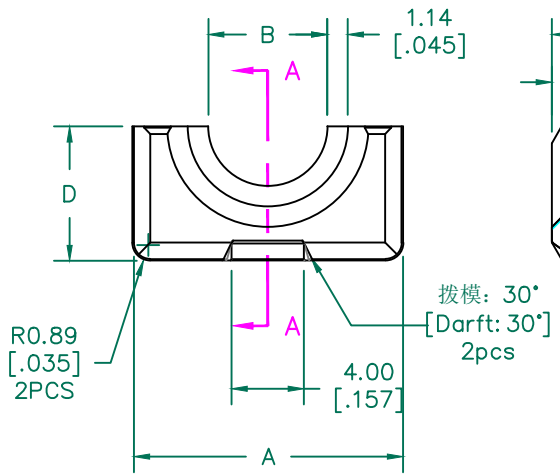


AGILENT E4991A Impedance/Material Analyzer
HP 16092A-Test Fixture, REF# 3458

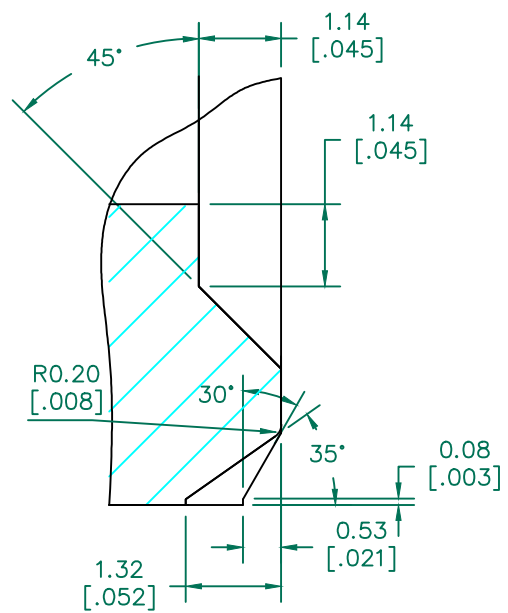
FERRITE CORE DIMENSIONS (SPEC): mm[in]

A	14.99 [.590]	+	0.30 [.012]
B	6.60 [.260]	+	0.20 [.008]
C	29.16 [1.148]	+	0.64 [.025]
D	7.44 [.293]	+	0.15 [.006]
E	1.14 [.045]	+	-

WEIGHT/1000 13.5 kgs [29.76 Lbs]



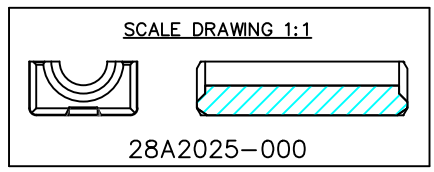
DETAIL B
SCALE 10:1
(TYPICAL)



DETAIL A
SCALE 10:1
(TYPICAL)

NOTES: UNLESS OTHERWISE SPECIFIED

1. COSMETIC SPECIFICATION REFER TO WI-QA-038.



DIMENSIONS ARE IN mm [INCHES].			
T	UPDATE CORE SHAPE	07/16/15	QIU
S	UPDATE COMPANY LOGO AND NOTE 2	08/23/14	QIU
R	CHANGE CHAMFER	08/10/11	QIU
Q	UPDATE 100MHZ MINIMUM VALUE	07/16/07	TMB
P	UPDATE COMPANY LOGO	04/17/07	TMB
N	ADD TYP TO DET "A" ADD NOTES 1 & 2	04/01/06	TMB
M	UPDATE DETAIL "A" CHANGE C & D DIMENSION TOLERANCES	01/25/06	TMB
L	UPDATE MIN Z SPEC@100MHZ, ADD REF#	12/20/04	JRK
REV	DESCRIPTION	DATE	INT

This print is the property of Laird Tech. and is loaned in confidence subject to return upon request and with the understanding that no copies shall be made without the written consent of Laird Tech. All rights to design or invention are reserved.



PROJECT/PART NUMBER: 28A2025-000	REV T	PART TYPE: SPLIT CORE	DRAWN BY: BAC
DATE: 09/08/94	SCALE: 2.5:1	MATERIAL: Ferrite	
CAD # 28A2025-000-T	TOOL # -		