

DWG. NO.

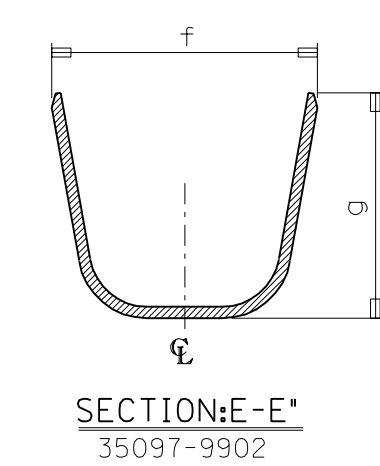
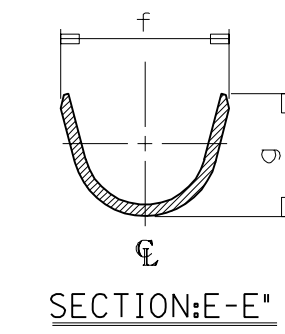
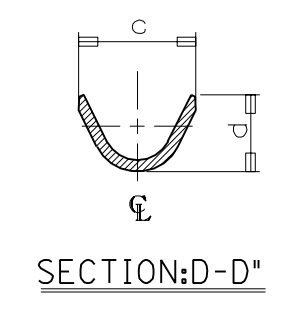
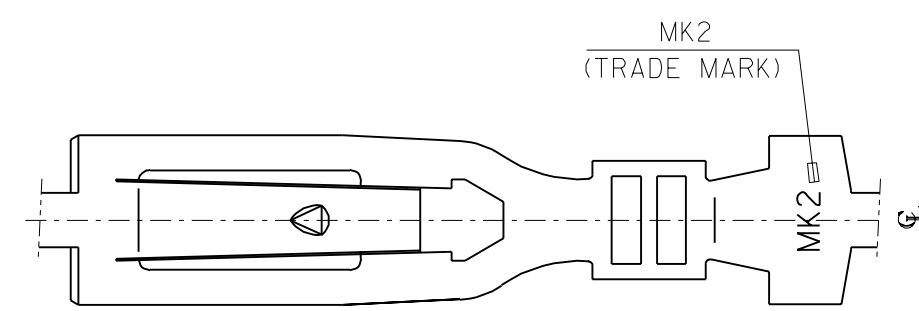
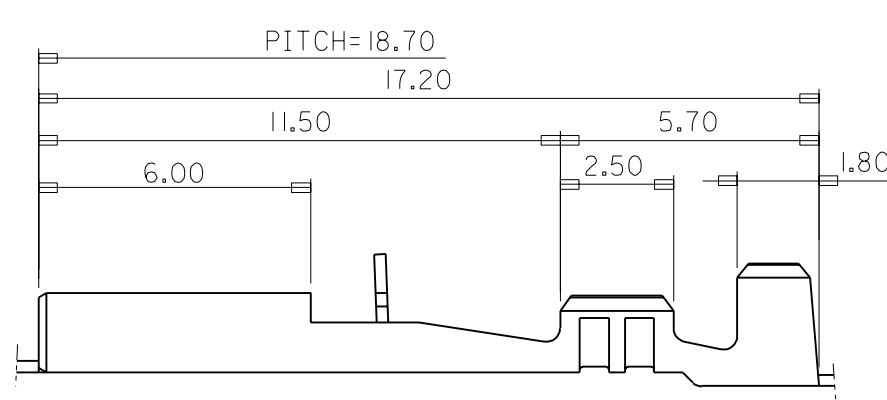
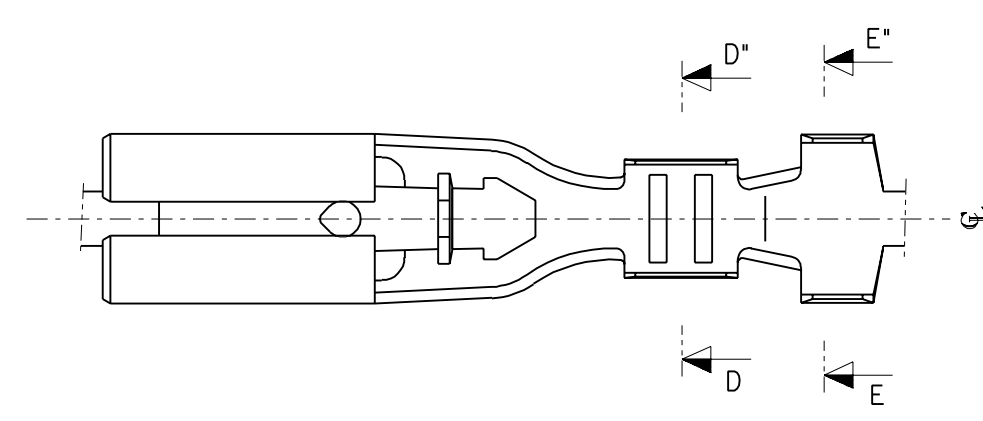
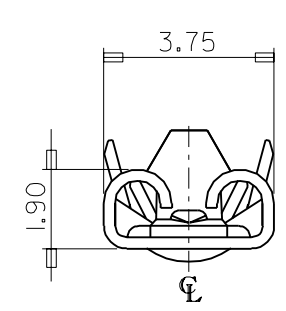
SIMILAR ITEM

PROJECT NO.

C

B

DO NOT SCALE DRAWING DIMENSION IN METRIC



- NOTES**
- MATERIAL: TIN-PLATED BRASS 0.25mm THICK'
 - FINISH: PRE-TIN PLATING
 - MATING TAB: 0.5(+) \times 2.8(w)

ENG.NO.	c	d	f	g	WIRE RANGE
35097-9712	2.0	1.85	3.3	3.0	AWG #26-#20
35097-9812	2.8	2.75	4.0	4.1	AWG #20-#16
35097-9912	2.8	2.75	5.9	5.0	AWG #20 \times 2

REVISED EC NO. KOR2000-0090 DRWN: W.Y.YANG 00/11/08 CHK: APPR:	DESCRIPTION	QUALITY SYMBOLS	GENERAL TOLERANCES: (UNLESS SPECIFIED)		SCALE 6:1	DESIGN UNITS <input checked="" type="checkbox"/> mm <input type="checkbox"/> INCH	THIRD ANGLE PROJECTION	DIMENSIONS: <input type="checkbox"/> mm <input type="checkbox"/> INCH <input checked="" type="checkbox"/> mm ONLY		SHT	REV
		MAJOR = 0 CRITICAL = 0	mm	INCH	DRAWN BY & DATE W.Y.YANG 98/02/17	TITLE: .110 MP-LOCK RECEPTACLE TERMINAL		MATERIAL NO. SEE TABLE		DRAWING NO. SD 35097-9*12	SHEET NO. 10F1
D1	REV		ANGULAR: $\pm 5.0^\circ$		APPROVED BY & DATE C.W.LEE 98/02/17		DRAWING NO. MOLEX INCORPORATED KOREA		SHEET NO. 10F1		SIZE B
DRAFT WHERE APPLICABLE MUST REMAIN WITHIN DIMENSIONS											
THIS DRAWING CONTAINS INFORMATION THAT IS PROPRIETARY TO MOLEX INCORPORATED AND SHOULD NOT BE USED WITHOUT WRITTEN PERMISSION.											