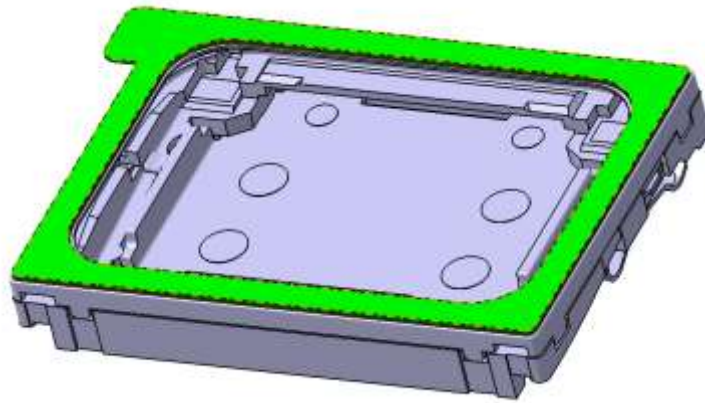


13x18 speaker with adhesive

CR1813L025UN8DA

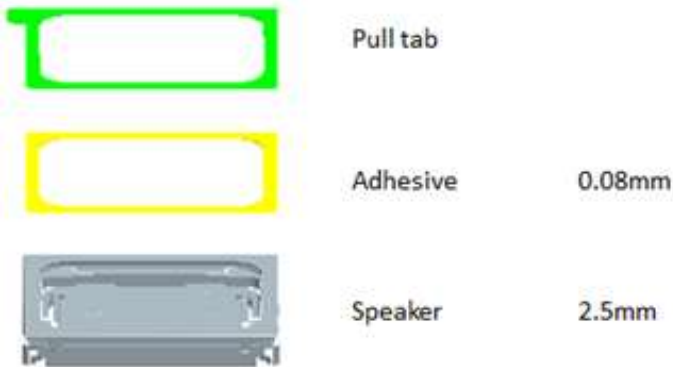
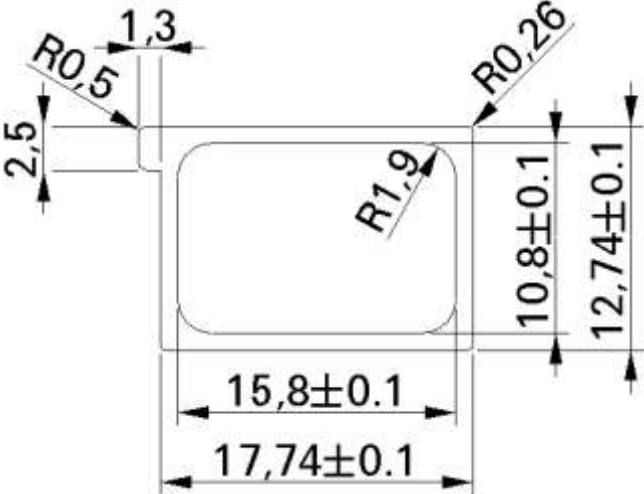


Revision

Date	Version	Status	Changes	Approver
2019/04/30	V0.1	Draft	First release	LF

1. Mechanical Characteristics

1.1. Mechanical Drawing



1.2. Material List

Speaker see specification	CR1813LO25UN8-2
Adhesive film	GASKET13X18DA-2