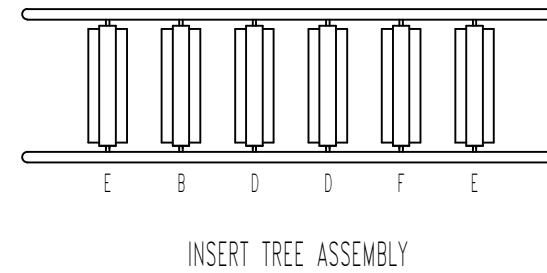
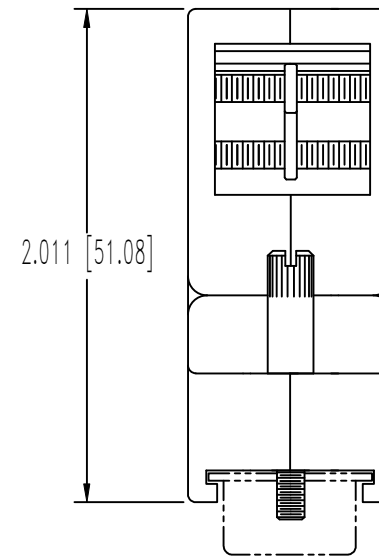
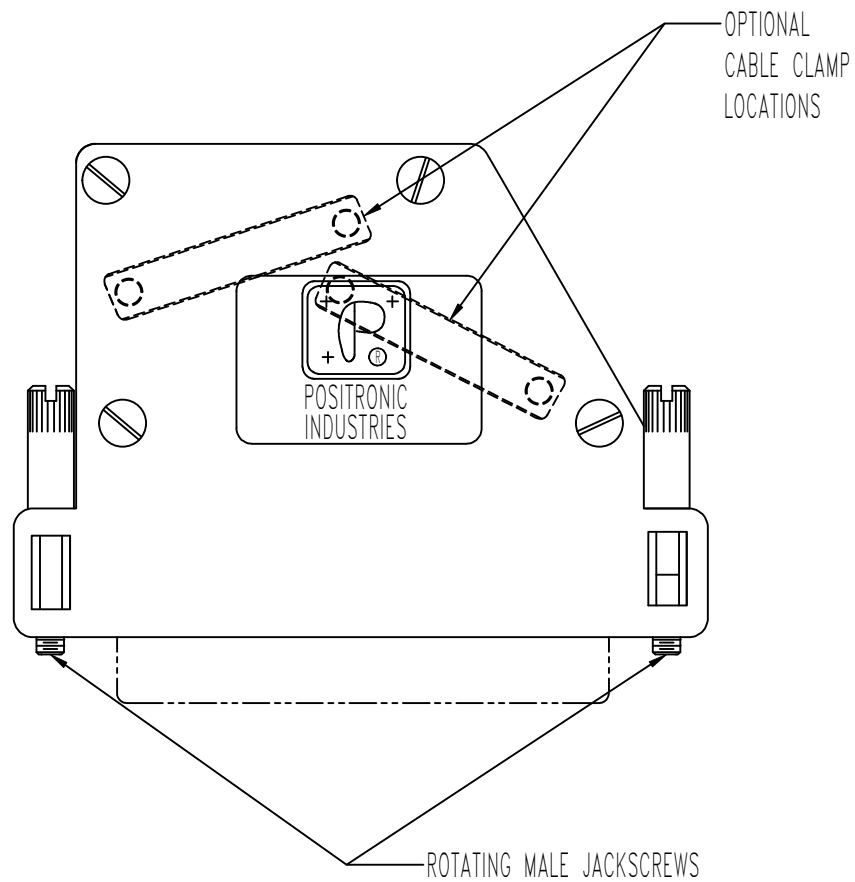
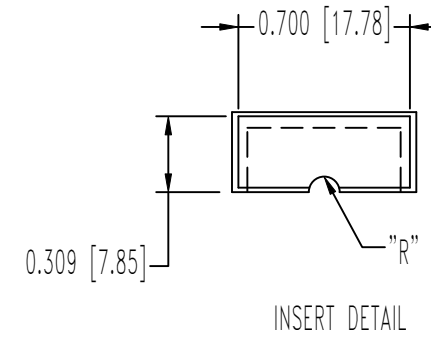
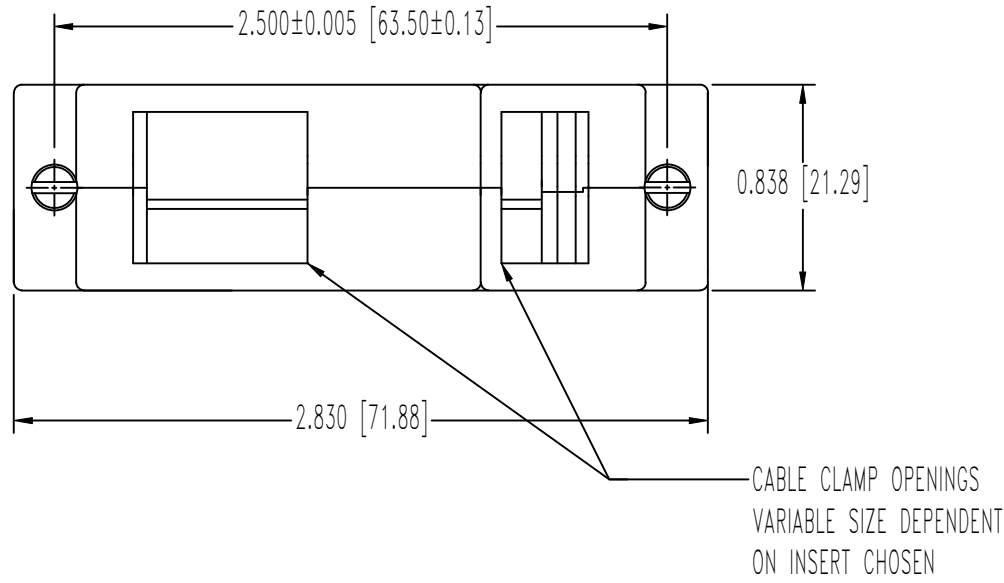


THIS DRAWING CONTAINS INFORMATION PROPRIETARY TO POSITRONIC AND ITS SUBSIDIARIES. POSITRONIC BELIEVES THE DATA ON THIS DRAWING TO BE RELIABLE. SINCE THE TECHNICAL INFORMATION IS GIVEN FREE OF CHARGE, THE USER EMPLOYS SUCH INFORMATION AT HIS OWN DISCRETION AND RISK. POSITRONIC ASSUMES NO RESPONSIBILITY FOR RESULTS OBTAINED OR DAMAGES INCURRED FROM USE OF SUCH INFORMATION IN WHOLE OR IN PART.

DATE	REV	REVISION RECORD	APP	DR	CK
6-6-16	NC	ECO 51123	COLE	KV	COLE



INSERT CODE	RADIUS "R"
A	0.063 [1.60]
B	—
C	0.153 [3.87]
D	0.215 [5.46]
E	0.275 [6.99]
F	—

NOTES:

- MATERIAL AND FINISHES:  
 HOOD AND TREE INSERT: PBT(EMI), BLACK, COMPOSITE, CONDUCTIVE VOLUME RESISTIVITY [1.0 OHM-CM MAXIMUM].  
 JACKSCREWS: STEEL, WITH ZINC PLATE.  
 CABLE CLAMPS: STEEL, WITH NICKEL PLATE.
- DETAILED PRODUCT, MECHANICAL, AND ELECTRICAL INFORMATION IS AVAILABLE IN THE LATEST D-SUB ACCESSORIES PRODUCT PUBLICATION AT CONNECTPOSITRONIC.COM
- CONNECTORS ARE COMPLIANT PER CURRENT ROHS DIRECTIVE.
- DIMENSIONS ARE IN INCHES [MILLIMETERS].

**POSITRONIC INDUSTRIES INC.**  
[www.connectpositronic.com](http://www.connectpositronic.com) FSCM 28198

 DECIMAL TOL. ± 0.015 (0,38)	D SERIES "Y" HOOD TITLE <b>D104000Y00/AA</b>	SCALE N.T.S.	DRAWN BY <b>KUNAL V.</b> APPROVED BY <b>COLE</b>
ANGULAR TOL. ± 5°	DATE <b>6-6-16</b>	DRAWING NUMBER <b>SK19065</b>	REV. <b>NC</b>