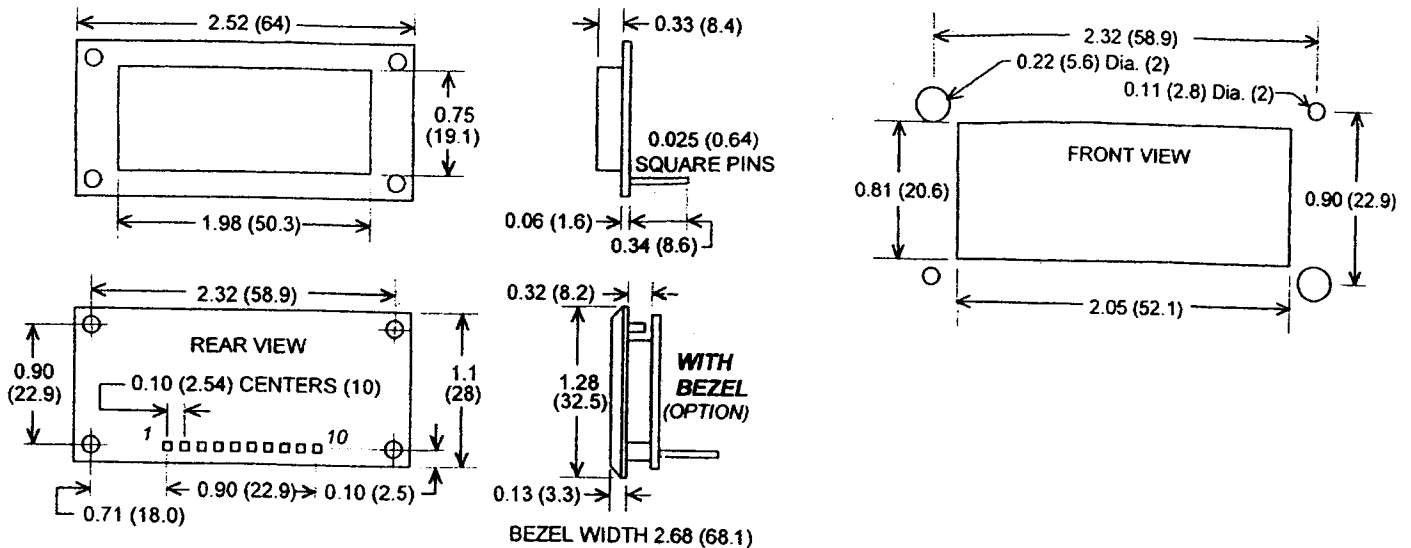


DPM-35

Dimensions



Specifications

Display:	
Digits:	3 1/2 Digits (± 1999 counts)
Type:	0.56" (14.2mm) Red or Green 7-Segment LED
Polarity:	Automatic, "*" Displayed
Decimal Points:	3 Position, User Selectable
Overload:	Three lower order digits blank for inputs >1999 & <-1999
Hold:	Display Hold Function is Standard
Inputs:	
Ranges:	$\pm 200.0\text{mV}$, $\pm 2.000\text{V}$, $\pm 20.00\text{V DC}$ Process Inputs, 4 to 20mA (with optional adder board)
Configuration:	Bipolar, Differential
Protection:	$\pm 350\text{V DC}$, ($\pm 100\text{V DC}$ on 200mV Range)
Impedance:	>1 Megohm, (>10 Megohm on 200mV Range)
Loop Burden:	15 Ω nominal
Performance:	
Accuracy:	$\pm(0.1\% + 1$ counts) Typical $\pm(0.2\% + 2$ counts) Maximum
Conversion Rate:	3 per Second
Normal Mode Rejection:	>30 db @ 60 Hz
Common Mode Range:	$\pm 1\text{V DC}$
Common Mode Rej.:	>86 dB
Zero Adjustment:	Automatic
Warmup:	10 Minutes Typical
Temperature Coeff.:	± 100 ppm per $^{\circ}\text{C}$ Typical
Environment:	
Operating Range:	0 to 50 $^{\circ}\text{C}$
Storage Range:	-20 to 70 $^{\circ}\text{C}$
Power Supply:	
Voltage:	+5V DC ($\pm 5\%$)
Current:	200mA
Mounting:	
	Window Mount, or Bezel Mount with Optional Bezel
Process Adder Board:	Plugs onto DPM pins, adds approx. 0.6" (16mm) to depth
Connection:	
	Pins, 0.025" Square on 0.1" centers
	Screw terminals on Process Adder Board

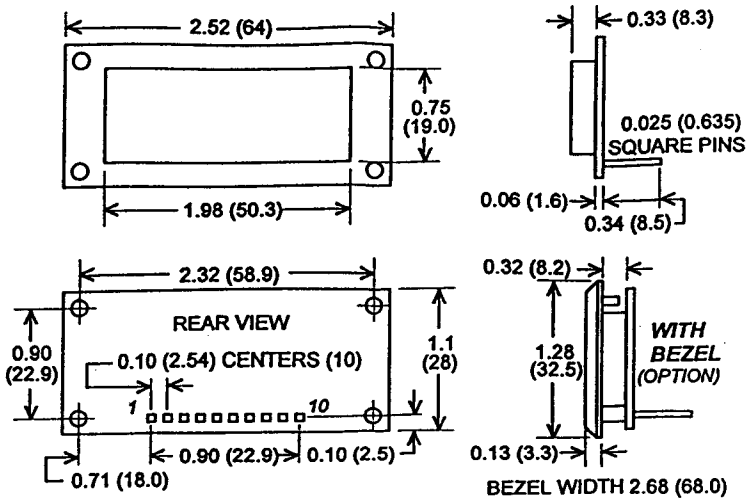
MARTEL ELECTRONICS CORP.

PO Box 770
Londonderry, NH 03053

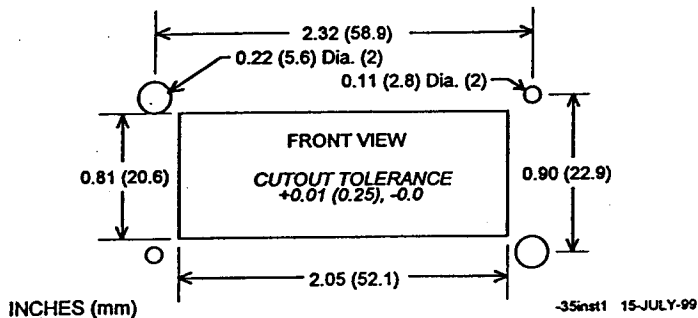
800-821-0023
623-434-1433
fax: 603-434-1653

www.martelcorp.com

MECHANICAL DIMENSIONS



BEZEL MOUNT CUTOUT DIMENSIONS



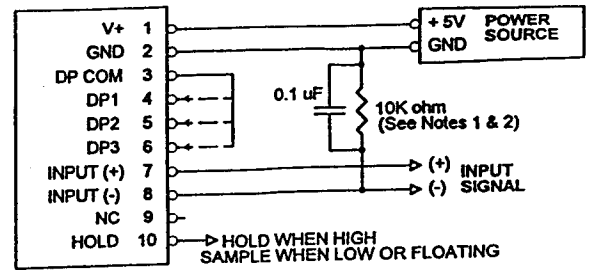
DPM 35 Series

PIN DESCRIPTIONS

PIN	DESCRIPTION
V+	+5V DPM POWER SUPPLY
GND	DPM POWER SUPPLY GROUND
DP COM	DECIMAL POINT RETURN
DP1	1XX.X
DP2	1X.XX
DP3	1.XXX
INPUT (+)	POSITIVE INPUT SIGNAL
INPUT (-)	NEGATIVE INPUT SIGNAL
NC	NO CONNECTION REQUIRED
HOLD	HOLD LAST DISPLAY

Connect to DP COM to activate

WIRING CONNECTIONS



1. Floating Input: The input common mode range is +/- 1 VDC. If INPUT (-) is not directly connected to GND, a 10K resistor network can be connected as shown to reduce unstable readings.
2. Single-Ended Input: The 10K resistor network is not required. The INPUT (-) is internally connected to GND.

Unused pins should be left open.

CAUTION: Damage to the unit can occur if the power source polarity is reversed, or a voltage greater than 6V is applied between pins 1 & 2

3.5 DIGIT LCD DPM INSTALLATION SHEET