



**ANATECH ELECTRONICS INC**  
RF & Microwave Filters & Products

## 187 MHz Bandpass Filter

Part Number: AE187B10495



### Electrical Specifications

**Center Frequency:** 187.5 MHz

**Bandwidth :** 3 MHz

**Insertion Loss:** <2 dB

**Impedance:** 50 Ohms

**Return Loss :** 10 dB

**Lower Rejection:** < 60 dB at 174.25 MHz

**Higher Rejection:** >60 dB at 200.75 MHz

**Power Handling :** 0.25 Watt

### Mechanical

**Mounting Method:** Through Holes

**Connector Type:** N-Type(Female)

**Dimensions:** 4.0" X 1.25" x 0.75" in.

### Environmental

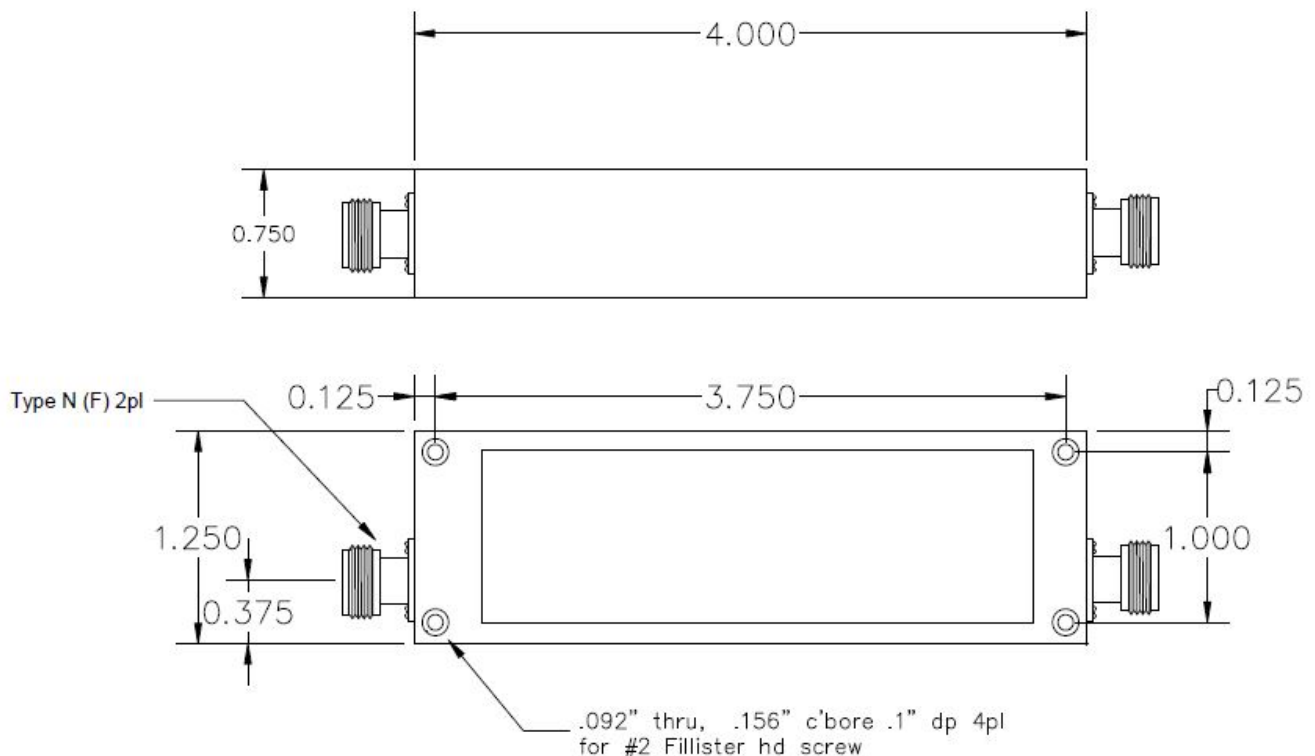
**Operating Temperature:** -25°C to +70°C

**Storage Temperature:** -40°C to +90°C

**Shock:** 10 G. 11ms

**Vibration:** 10 G. 5 to 200Hz

### Outline Drawing :





**ANATECH ELECTRONICS INC**  
RF & Microwave Filters & Products

# 187 MHz Bandpass Filter

Part Number: AE187B10495



## Response Plot:

