



921.2-927 MHz Cavity Bandpass Filter

Part Number: AE924B11660



ANATECH ELECTRONICS INC
RF & Microwave Filters & Products

Electrical specifications

Center frequency: 924.1 MHz
1 dB Passband: 921.2-927 MHz
Insertion loss @CF: 1.5 dB Max.
Return loss: 16 dB Min.
Rejection Frequency: 75 dB Min. @ CF +/-20 MHz
Power Handling: 20 Watts

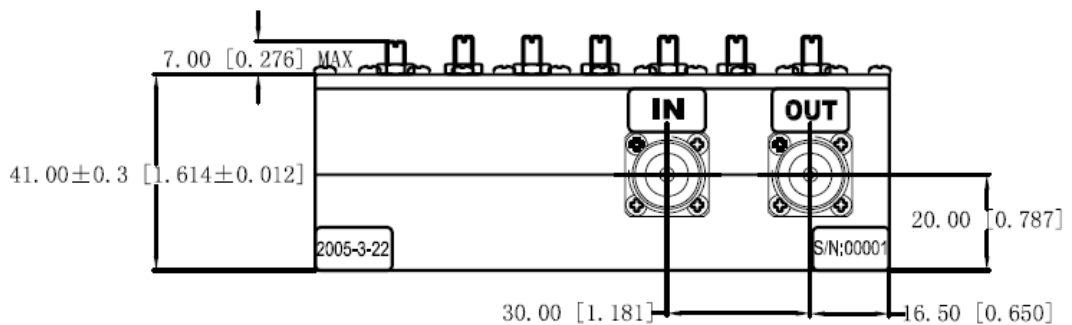
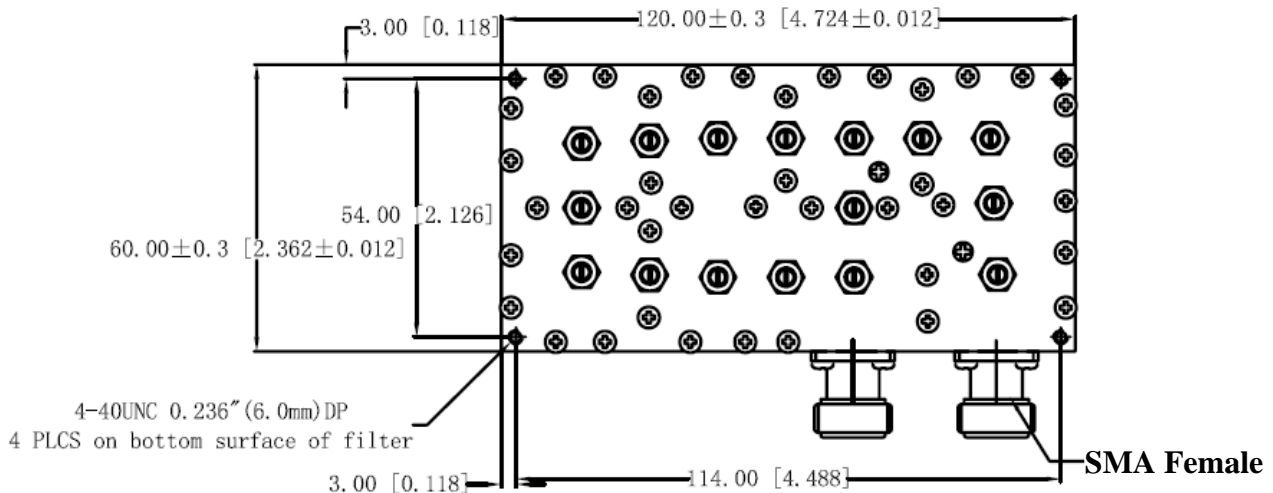
Mechanical

Mounting Method: Threaded Mounting Holes
Connector Type: SMA Female
Dimensions: 4.72" x 2.36" x 1.89" in

Environmental

Operating Temperature: -45 to +85° C
Storage Temperature: -55 to +95° C
Shock: 20 G. 11ms
Vibration: 20 G. 5 to 200 Hz

Outline Drawing:



Tolerance: +/-0.01 inches [+/-0.3mm]

Angles: +/-1 Deg.

*Tolerance as shown unless otherwise specified in the datasheet electrical specification tables above.

*When max dimensions are called out the above tolerances do not apply as long as it is under the max call out.