

Manufacturing Location Change for Automotive Grade Products in TO-263 & ITO-220 Packages

DESCRIPTION OF CHANGE:

Vishay Diodes Division is transferring the assembly & final test of all automotive grade products in TO-263 & ITO-220 packages from Vishay Tianjin factory to Vishay Xi'an factory.

In addition to the location change, all Schottky Rectifier products in ITO-220 package will have the following changes.

1. Solder paste composition changed from 88%Pb/2%Ag/10%Sn to 92.5%Pb/2.5%Ag/5%Sn.
2. MBRF1545CTHE3 & MBRF1560CTHE3, clip size for device inner soldering optimized from 42*42mil to 34*34mil.

All other assembly raw material & process used in Vishay Xi'an factory are the same as those used in current Vishay Tianjin factory production. There is no change in POD spec., form, fit and function of the device in customer applications.

All involved changes are summarized in below table:

Item	Before	After
Assembly Site	Vishay Tianjin	Vishay Xi'an
Solder paste composition (For Schottky Rectifier products in ITO-220 package)	88%Pb/2%Ag/10%Sn	92.5%Pb/2.5%Ag/5%Sn
Clip Size (For MBRF1545CTHE3 & MBRF1560CTHE3)	42*42mil	34*34mil
Label		
Inner Box (For tube packing)	<p>ITO-220 Size: 21.3*6.4*1.8 inch</p> <p>TO-263 Size: 21.3*6.4*1.8 inch</p>	<p>ITO-220 Size: 22.7*5.7*1.7 inch</p> <p>TO-263 Size: 21.3*4.1*2.2 inch</p>

CLASSIFICATION OF CHANGE:

Assembly Site

Direct Materials – for Schottky Rectifier products in ITO-220 package solder paste change

Assembly Process/Structure – for Schottky Rectifier products in ITO-220 package clip size change



Product Change Notification



Product Group: Diodes Division / December 20, 2018 / PCN-DD-023-2018 Rev. 0

REASON FOR CHANGE: Production line consolidation and Material consolidation/optimization

EXPECTED INFLUENCE ON QUALITY/RELIABILITY/PERFORMANCE:

No change in quality, reliability and performance

PRODUCT CATEGORY: Rectifier

PART NUMBERS/SERIES/FAMILIES AFFECTED:

Involved product groups are listed below and separated in 3 groups per involved changes:

1. Only assembly & final test site change:

Existing P/N	New Rev. P/N	Existing P/N	New Rev. P/N
BYQ28EB-100HE3/45	BYQ28EB-100HE3_A/P	FEPB16ATHE3/45	FEPB16ATHE3_A/P
BYQ28EB-100HE3/81	BYQ28EB-100HE3_A/I	FEPB16ATHE3/81	FEPB16ATHE3_A/I
BYQ28EB-150HE3/45	BYQ28EB-150HE3_A/P	FEPB16BTHE3/45	FEPB16BTHE3_A/P
BYQ28EB-150HE3/81	BYQ28EB-150HE3_A/I	FEPB16BTHE3/81	FEPB16BTHE3_A/I
BYQ28EB-200HE3/45	BYQ28EB-200HE3_A/P	FEPB16CTHE3/45	FEPB16CTHE3_A/P
BYQ28EB-200HE3/81	BYQ28EB-200HE3_A/I	FEPB16CTHE3/81	FEPB16CTHE3_A/I
BYQ28EF-100HE3/45	BYQ28EF-100HE3_A/P	FEPB16DTHE3/45	FEPB16DTHE3_A/P
BYQ28EF-150HE3/45	BYQ28EF-150HE3_A/P	FEPB16DTHE3/81	FEPB16DTHE3_A/I
BYQ28EF-200HE3/45	BYQ28EF-200HE3_A/P	FEPB16FTHE3/45	FEPB16FTHE3_A/P
BYT28B-300HE3/45	BYT28B-300HE3_A/P	FEPB16FTHE3/81	FEPB16FTHE3_A/I
BYT28B-300HE3/81	BYT28B-300HE3_A/I	FEPB16GTHE3/45	FEPB16GTHE3_A/P
BYT28B-400HE3/45	BYT28B-400HE3_A/P	FEPB16GTHE3/81	FEPB16GTHE3_A/I
BYT28B-400HE3/81	BYT28B-400HE3_A/I	FEPB16HTHE3/45	FEPB16HTHE3_A/P
BYT28F-300HE3/45	BYT28F-300HE3_A/P	FEPB16HTHE3/81	FEPB16HTHE3_A/I
BYT28F-400HE3/45	BYT28F-400HE3_A/P	FEPB16JTHE3/45	FEPB16JTHE3_A/P
BYV29B-300HE3/45	BYV29B-300HE3_A/P	FEPB16JTHE3/81	FEPB16JTHE3_A/I
BYV29B-300HE3/81	BYV29B-300HE3_A/I	FEPF16ATHE3/45	FEPF16ATHE3_A/P
BYV29B-400HE3/45	BYV29B-400HE3_A/P	FEPF16BTHE3/45	FEPF16BTHE3_A/P
BYV29B-400HE3/81	BYV29B-400HE3_A/I	FEPF16CTHE3/45	FEPF16CTHE3_A/P
BYV29F-300HE3/45	BYV29F-300HE3_A/P	FEPF16DTHE3/45	FEPF16DTHE3_A/P
BYV29F-400HE3/45	BYV29F-400HE3_A/P	FEPF16FTHE3/45	FEPF16FTHE3_A/P
BYVB32-100HE3/45	BYVB32-100HE3_A/P	FEPF16GTHE3/45	FEPF16GTHE3_A/P
BYVB32-100HE3/81	BYVB32-100HE3_A/I	FEPF16HTHE3/45	FEPF16HTHE3_A/P
BYVB32-150HE3/45	BYVB32-150HE3_A/P	FEPF16JTHE3/45	FEPF16JTHE3_A/P
BYVB32-150HE3/81	BYVB32-150HE3_A/I	FESB16ATHE3/45	FESB16ATHE3_A/P
BYVB32-200HE3/45	BYVB32-200HE3_A/P	FESB16ATHE3/81	FESB16ATHE3_A/I
BYVB32-200HE3/81	BYVB32-200HE3_A/I	FESB16BTHE3/45	FESB16BTHE3_A/P
BYVB32-50HE3/45	BYVB32-50HE3_A/P	FESB16BTHE3/81	FESB16BTHE3_A/I
BYVB32-50HE3/81	BYVB32-50HE3_A/I	FESB16CTHE3/45	FESB16CTHE3_A/P
BYVF32-100HE3/45	BYVF32-100HE3_A/P	FESB16CTHE3/81	FESB16CTHE3_A/I
BYVF32-150HE3/45	BYVF32-150HE3_A/P	FESB16DTHE3/45	FESB16DTHE3_A/P
BYVF32-200HE3/45	BYVF32-200HE3_A/P	FESB16DTHE3/81	FESB16DTHE3_A/I
BYVF32-50HE3/45	BYVF32-50HE3_A/P	FESB16FTHE3/45	FESB16FTHE3_A/P
BYWB29-100HE3/45	BYWB29-100HE3_A/P	FESB16FTHE3/81	FESB16FTHE3_A/I
BYWB29-100HE3/81	BYWB29-100HE3_A/I	FESB16GTHE3/45	FESB16GTHE3_A/P
BYWB29-150HE3/45	BYWB29-150HE3_A/P	FESB16GTHE3/81	FESB16GTHE3_A/I
BYWB29-150HE3/81	BYWB29-150HE3_A/I	FESB16HTHE3/45	FESB16HTHE3_A/P
BYWB29-200HE3/45	BYWB29-200HE3_A/P	FESB16HTHE3/81	FESB16HTHE3_A/I
BYWB29-200HE3/81	BYWB29-200HE3_A/I	FESB16JTHE3/45	FESB16JTHE3_A/P
BYWB29-50HE3/45	BYWB29-50HE3_A/P	FESB16JTHE3/81	FESB16JTHE3_A/I
BYWB29-50HE3/81	BYWB29-50HE3_A/I	FESB8ATHE3/45	FESB8ATHE3_A/P
BYWF29-100HE3/45	BYWF29-100HE3_A/P	FESB8ATHE3/81	FESB8ATHE3_A/I
BYWF29-150HE3/45	BYWF29-150HE3_A/P	FESB8BTHE3/45	FESB8BTHE3_A/P
BYWF29-200HE3/45	BYWF29-200HE3_A/P	FESB8BTHE3/81	FESB8BTHE3_A/I
BYWF29-50HE3/45	BYWF29-50HE3_A/P	FESB8CTHE3/45	FESB8CTHE3_A/P



Product Change Notification



Product Group: Diodes Division / December 20, 2018 / PCN-DD-023-2018 Rev. 0

Existing P/N	New Rev. P/N	Existing P/N	New Rev. P/N
FESB8CTHE3/81	FESB8CTHE3_A/I	MBRB1060HE3_A/I	MBRB1060HE3_B/I
FESB8DTHE3/45	FESB8DTHE3_A/P	MBRB1060HE3_A/P	MBRB1060HE3_B/P
FESB8DTHE3/81	FESB8DTHE3_A/I	MBRB10H60HE3_A/I	MBRB10H60HE3_B/I
FESB8FTHE3/45	FESB8FTHE3_A/P	MBRB10H60HE3_A/P	MBRB10H60HE3_B/P
FESB8FTHE3/81	FESB8FTHE3_A/I	MBRB1545CTHE3_A/I	MBRB1545CTHE3_B/I
FESB8GTHE3/45	FESB8GTHE3_A/P	MBRB1545CTHE3_A/P	MBRB1545CTHE3_B/P
FESB8GTHE3/81	FESB8GTHE3_A/I	MBRB1560CTHE3_A/I	MBRB1560CTHE3_B/I
FESB8HTHE3/45	FESB8HTHE3_A/P	MBRB1560CTHE3_A/P	MBRB1560CTHE3_B/P
FESB8HTHE3/81	FESB8HTHE3_A/I	MBRB15H45CT1HM3/81	MB15H45CT1HM3_A/I
FESB8JTHE3/45	FESB8JTHE3_A/P	MBRB15H45CT1HM3/8B	MB15H45CT1HM3_A/8B
FESB8JTHE3/81	FESB8JTHE3_A/I	MBRB15H45CTHE3_A/I	MBRB15H45CTHE3_B/I
FESF16ATHE3/45	FESF16ATHE3_A/P	MBRB15H45CTHE3_A/P	MBRB15H45CTHE3_B/P
FESF16BTHE3/45	FESF16BTHE3_A/P	MBRB1635HE3_A/I	MBRB1635HE3_B/I
FESF16CTHE3/45	FESF16CTHE3_A/P	MBRB1635HE3_A/P	MBRB1635HE3_B/P
FESF16DTHE3/45	FESF16DTHE3_A/P	MBRB1645HE3_A/I	MBRB1645HE3_B/I
FESF16FTHE3/45	FESF16FTHE3_A/P	MBRB1645HE3_A/P	MBRB1645HE3_B/P
FESF16GTHE3/45	FESF16GTHE3_A/P	MBRB1660HE3_A/I	MBRB1660HE3_B/I
FESF16HTHE3/45	FESF16HTHE3_A/P	MBRB1660HE3_A/P	MBRB1660HE3_B/P
FESF16JTHE3/45	FESF16JTHE3_A/P	MBRB16H35HE3_A/I	MBRB16H35HE3_B/I
FESF8ATHE3/45	FESF8ATHE3_A/P	MBRB16H35HE3_A/P	MBRB16H35HE3_B/P
FESF8BTHE3/45	FESF8BTHE3_A/P	MBRB16H45HE3_A/I	MBRB16H45HE3_B/I
FESF8CTHE3/45	FESF8CTHE3_A/P	MBRB16H45HE3_A/P	MBRB16H45HE3_B/P
FESF8DTHE3/45	FESF8DTHE3_A/P	MBRB16H60HE3_A/I	MBRB16H60HE3_B/I
FESF8FTHE3/45	FESF8FTHE3_A/P	MBRB16H60HE3_A/P	MBRB16H60HE3_B/P
FESF8GTHE3/45	FESF8GTHE3_A/P	MBRB2045CTHE3_A/I	MBRB2045CTHE3_B/I
FESF8HTHE3/45	FESF8HTHE3_A/P	MBRB2045CTHE3_A/P	MBRB2045CTHE3_B/P
FESF8JTHE3/45	FESF8JTHE3_A/P	MBRB2060CTHE3_A/I	MBRB2060CTHE3_B/I
GIB1401HE3/45	GIB1401HE3_A/P	MBRB2060CTHE3_A/P	MBRB2060CTHE3_B/P
GIB1401HE3/81	GIB1401HE3_A/I	MBRB20H60CTHE3_A/I	MBRB20H60CTHE3_B/I
GIB1402HE3/45	GIB1402HE3_A/P	MBRB20H60CTHE3_A/P	MBRB20H60CTHE3_B/P
GIB1402HE3/81	GIB1402HE3_A/I	MBRB2545CTHE3_A/I	MBRB2545CTHE3_B/I
GIB1403HE3/45	GIB1403HE3_A/P	MBRB2545CTHE3_A/P	MBRB2545CTHE3_B/P
GIB1403HE3/81	GIB1403HE3_A/I	MBRB25H35CTHE3_A/I	MBRB25H35CTHE3_B/I
GIB1404HE3/45	GIB1404HE3_A/P	MBRB25H35CTHE3_A/P	MBRB25H35CTHE3_B/P
GIB1404HE3/81	GIB1404HE3_A/I	MBRB25H45CT1HM3/81	MB25H45CT1HM3_A/I
GIB2401HE3/45	GIB2401HE3_A/P	MBRB25H45CT1HM3/8B	MB25H45CT1HM3_A/8B
GIB2401HE3/81	GIB2401HE3_A/I	MBRB25H45CTHE3_A/I	MBRB25H45CTHE3_B/I
GIB2402HE3/45	GIB2402HE3_A/P	MBRB25H45CTHE3_A/P	MBRB25H45CTHE3_B/P
GIB2402HE3/81	GIB2402HE3_A/I	MBRB25H60CTHE3_A/I	MBRB25H60CTHE3_B/I
GIB2403HE3/45	GIB2403HE3_A/P	MBRB25H60CTHE3_A/P	MBRB25H60CTHE3_B/P
GIB2403HE3/81	GIB2403HE3_A/I	MBRB3045CTHE3_A/I	MBRB3045CTHE3_B/I
GIB2404HE3/45	GIB2404HE3_A/P	MBRB3045CTHE3_A/P	MBRB3045CTHE3_B/P
GIB2404HE3/81	GIB2404HE3_A/I	MBRB30H45CTHE3_A/I	MBRB30H45CTHE3_B/I
MB10H100CTHE3_A/I	MB10H100CTHE3_B/I	MBRB30H45CTHE3_A/P	MBRB30H45CTHE3_B/P
MB10H100CTHE3_A/P	MB10H100CTHE3_B/P	MBRB30H60CTHE3_A/I	MBRB30H60CTHE3_B/I
MB10H100HE3_A/I	MB10H100HE3_B/I	MBRB30H60CTHE3_A/P	MBRB30H60CTHE3_B/P
MB10H100HE3_A/P	MB10H100HE3_B/P	MBRB745HE3_A/I	MBRB745HE3_B/I
MB2045C-61HE3J_A/I	MB2045C-61HE3J_B/I	MBRB745HE3_A/P	MBRB745HE3_B/P
MB20H100CTHE3_A/I	MB20H100CTHE3_B/I	MBRB760HE3_A/I	MBRB760HE3_B/I
MB20H100CTHE3_A/P	MB20H100CTHE3_B/P	MBRB760HE3_A/P	MBRB760HE3_B/P
MB30H100CTHE3_A/I	MB30H100CTHE3_B/I	MF10H100CTHE3_A/P	MF10H100CTHE3_B/P
MB30H100CTHE3_A/P	MB30H100CTHE3_B/P	MF10H100HE3_A/P	MF10H100HE3_B/P
MB30H45C61HE3J_A/I	MB30H45C61HE3J_B/I	MF20H100CTHE3_A/P	MF20H100CTHE3_B/P
MBRB1045001HE3_A/I	MBRB1045001HE3_B/I	MF30H100CTHE3_A/P	MF30H100CTHE3_B/P
MBRB1045HE3_A/I	MBRB1045HE3_B/I	NSB8ATHE3_A/I	NSB8ATHE3_B/I
MBRB1045HE3_A/P	MBRB1045HE3_B/P	NSB8ATHE3_A/P	NSB8ATHE3_B/P



Product Change Notification



Product Group: Diodes Division / December 20, 2018 / PCN-DD-023-2018 Rev. 0

Existing P/N	New Rev. P/N	Existing P/N	New Rev. P/N
NSB8BTHE3_A/I	NSB8BTHE3_B/I	UGB18BCTHE3/45	UGB18BCTHE3_A/P
NSB8BTHE3_A/P	NSB8BTHE3_B/P	UGB18BCTHE3/81	UGB18BCTHE3_A/I
NSB8DTHE3_A/I	NSB8DTHE3_B/I	UGB18CCTHE3/45	UGB18CCTHE3_A/P
NSB8DTHE3_A/P	NSB8DTHE3_B/P	UGB18CCTHE3/81	UGB18CCTHE3_A/I
NSB8GTHE3_A/I	NSB8GTHE3_B/I	UGB18DCTHE3/45	UGB18DCTHE3_A/P
NSB8GTHE3_A/P	NSB8GTHE3_B/P	UGB18DCTHE3/81	UGB18DCTHE3_A/I
NSB8JTHE3_A/I	NSB8JTHE3_B/I	UGB8ATHE3/45	UGB8ATHE3_A/P
NSB8JTHE3_A/P	NSB8JTHE3_B/P	UGB8ATHE3/81	UGB8ATHE3_A/I
NSB8KTHE3_A/I	NSB8KTHE3_B/I	UGB8BTHE3/45	UGB8BTHE3_A/P
NSB8KTHE3_A/P	NSB8KTHE3_B/P	UGB8BTHE3/81	UGB8BTHE3_A/I
NSB8MTHE3_A/I	NSB8MTHE3_B/I	UGB8CTHE3/45	UGB8CTHE3_A/P
NSB8MTHE3_A/P	NSB8MTHE3_B/P	UGB8CTHE3/81	UGB8CTHE3_A/I
NSF8ATHE3_A/P	NSF8ATHE3_B/P	UGB8DTHE3/45	UGB8DTHE3_A/P
NSF8BTHE3_A/P	NSF8BTHE3_B/P	UGB8DTHE3/81	UGB8DTHE3_A/I
NSF8DTHE3_A/P	NSF8DTHE3_B/P	UGB8FTHE3/45	UGB8FTHE3_A/P
NSF8GTHE3_A/P	NSF8GTHE3_B/P	UGB8FTHE3/81	UGB8FTHE3_A/I
NSF8JTHE3_A/P	NSF8JTHE3_B/P	UGB8GTHE3/45	UGB8GTHE3_A/P
NSF8KTHE3_A/P	NSF8KTHE3_B/P	UGB8GTHE3/81	UGB8GTHE3_A/I
NSF8MTHE3_A/P	NSF8MTHE3_B/P	UGB8HTHE3/45	UGB8HTHE3_A/P
SBLB1040CTHE3_A/I	SBLB1040CTHE3_B/I	UGB8HTHE3/81	UGB8HTHE3_A/I
SBLB1040CTHE3_A/P	SBLB1040CTHE3_B/P	UGB8JTHE3/45	UGB8JTHE3_A/P
SBLB10L25HE3_A/I	SBLB10L25HE3_B/I	UGB8JTHE3/81	UGB8JTHE3_A/I
SBLB10L25HE3_A/P	SBLB10L25HE3_B/P	UGF10BCTHE3/45	UGF10BCTHE3_A/P
SBLB1640CTHE3_A/I	SBLB1640CTHE3_B/I	UGF10CCTHE3/45	UGF10CCTHE3_A/P
SBLB1640CTHE3_A/P	SBLB1640CTHE3_B/P	UGF10DCTHE3/45	UGF10DCTHE3_A/P
SBLB25L30CT1HM3/81	SBLB25L30CT1HM3_A/I	UGF10FCTHE3/45	UGF10FCTHE3_A/P
SBLB25L30CTHE3_A/I	SBLB25L30CTHE3_B/I	UGF10GCTHE3/45	UGF10GCTHE3_A/P
SBLB25L30CTHE3_A/P	SBLB25L30CTHE3_B/P	UGF18ACTHE3/45	UGF18ACTHE3_A/P
UGB10BCTHE3/45	UGB10BCTHE3_A/P	UGF18BCTHE3/45	UGF18BCTHE3_A/P
UGB10BCTHE3/81	UGB10BCTHE3_A/I	UGF18CCTHE3/45	UGF18CCTHE3_A/P
UGB10CCTHE3/45	UGB10CCTHE3_A/P	UGF18DCTHE3/45	UGF18DCTHE3_A/P
UGB10CCTHE3/81	UGB10CCTHE3_A/I	UGF8ATHE3/45	UGF8ATHE3_A/P
UGB10DCTHE3/45	UGB10DCTHE3_A/P	UGF8BTHE3/45	UGF8BTHE3_A/P
UGB10DCTHE3/81	UGB10DCTHE3_A/I	UGF8CTHE3/45	UGF8CTHE3_A/P
UGB10FCTHE3/45	UGB10FCTHE3_A/P	UGF8DTHE3/45	UGF8DTHE3_A/P
UGB10FCTHE3/81	UGB10FCTHE3_A/I	UGF8FTHE3/45	UGF8FTHE3_A/P
UGB10GCTHE3/45	UGB10GCTHE3_A/P	UGF8GTHE3/45	UGF8GTHE3_A/P
UGB10GCTHE3/81	UGB10GCTHE3_A/I	UGF8HTHE3/45	UGF8HTHE3_A/P
UGB18ACTHE3/45	UGB18ACTHE3_A/P	UGF8JTHE3/45	UGF8JTHE3_A/P
UGB18ACTHE3/81	UGB18ACTHE3_A/I		

2. Assembly & final test site change + Solder paste change:

Existing P/N	New Rev. P/N	Existing P/N	New Rev. P/N
MBRF1045HE3/45	MBRF1045HE3_A/P	MBRF2060CTHE3/45	MBRF2060CTHE3_A/P
MBRF1060HE3/45	MBRF1060HE3_A/P	MBRF30H45CTHE3/45	MBRF30H45CTHE3_A/P
MBRF1635HE3/45	MBRF1635HE3_A/P	SBLF10L25HE3/45	SBLF10L25HE3_A/P
MBRF1645HE3/45	MBRF1645HE3_A/P	SBLF25L30CTHE3/45	SBLF25L30CTHE3_A/P
MBRF2045CTHE3/45	MBRF2045CTHE3_A/P		

3. Assembly & final test site change + Solder paste change + Clip size change

Existing P/N	New Rev. P/N	Existing P/N	New Rev. P/N
MBRF1545CTHE3/45	MBRF1545CTHE3_A/P	MBRF1560CTHE3/45	MBRF1560CTHE3_A/P



Product Change Notification



Product Group: Diodes Division / December 20, 2018 / PCN-DD-023-2018 Rev. 0

VISHAY BRAND: Vishay General Semiconductor

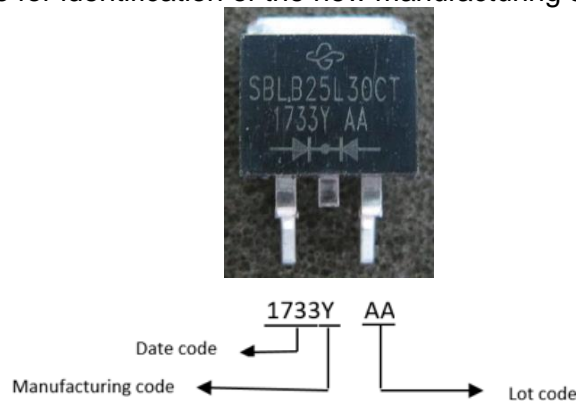
TIME SCHEDULE: Start Shipment Date from Vishay Xi'an: February 25, 2019
Last Time Buy of Existing P/N from Vishay Tianjin: June 20, 2019
Last Time Shipment of Existing P/N from Vishay Tianjin: December 20, 2019

SAMPLE ABAILABILITY: Available upon request.

PRODUCT IDENTIFICATION:

Adding underscore (_) + revision code "A" or "B" following base part number as the identification. Meanwhile, the package code will be simplified. Please refer to Fast Fact #FF-DD-002-2015 for details.

And the manufacturing code "Y" will be added to the last digit of date code, lot code would be added next to date code for identification of the new manufacturing site.



QUALIFICATION DATA: Available upon request.

RESPONSE DATE: This PCN is considered approved, without further notification, unless we receive specific customer concerns before **February 20, 2019** or as specified by contract. Also the generic LTB/LTS schedule could be changed upon specific contract.

ISSUED BY: R.S. Chin, Product Marketing Director – Rectifiers (Standard & Schottky)
Alessandro Bonaudo, Product Marketing Director – Rectifiers (Ultrafast recovery)

For further information, please contact your regional Vishay office.

Contact Information:

The Americas

Vishay Semiconductors
150 Motor Parkway, Suite 101E
Hauppauge, NY11788 USA
Phone :631 300 3816
Fax : 631 300 3843
Diodes-Americas@vishay.com

Europe

Vishay Semiconductors
Theresienstrasse 2
D-74072 Heilbronn, Germany
Phone : +49 7131 67 3364 (or 3365)
Fax: +49 7131 67 2938
Diodes-Europe@vishay.com

Asia/Pacific

Vishay Semiconductors
15D, Sun Tong Infoport Plaza
55 Huai Hai West Road, Shanghai, China
Phone: +86 138 1787 2112
Fax: +86 21 5258 7979
Diodes-Asia@vishay.com