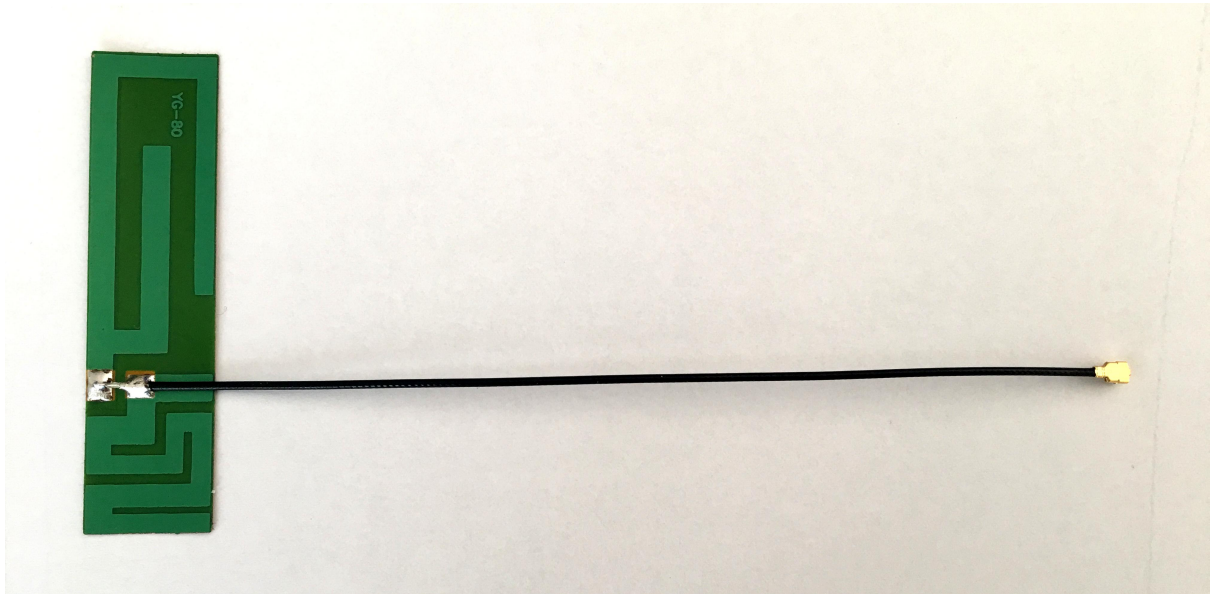
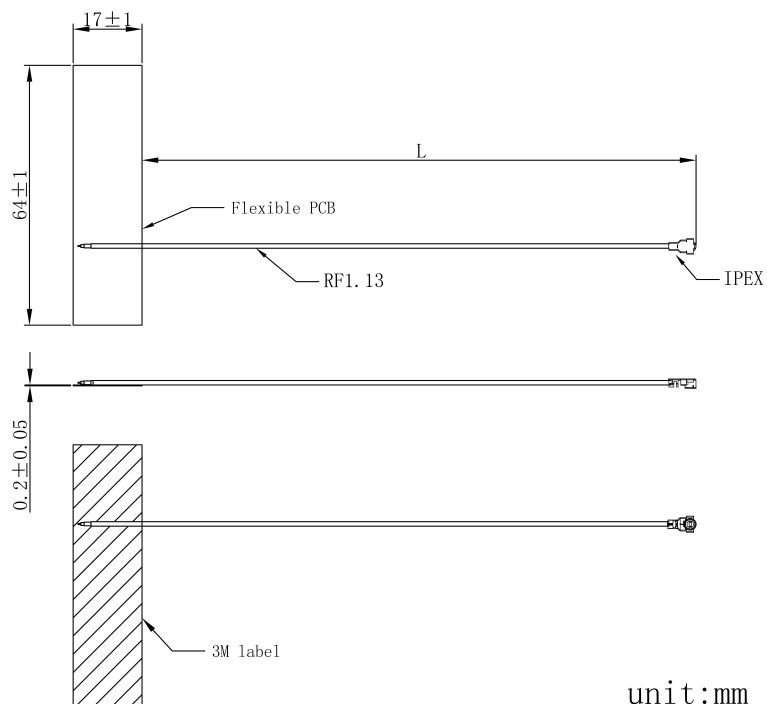


LTE Internal Antenna JCG146



DIMENSIONS





Jinchang Electron Global Service

SPECIFICATIONS

Item		Specifications
Antenna	Frequency Range	698~960/1710~2690MHz
	Polarization	Linear
	Gain	2dBi
	V.S.W.R	<3.0
	Impedance	50 Ω
	FPC Dimension	64*17*0.2mm
Mechanical	Cable	RF1.13 or others
	Connector	IPEX
	Mounting Method	Embedded
Environmental	Operating Temperature	-40°C~+85°C
	Vibration	10 to 55Hz with 1.5mm amplitude 2hours
	Environmentally Friendly	ROHS Compliant

JIAXING JINCHANG ELECTRONIC TECHNOLOGY CO.,LTD

Add: 398#,Zhenye Road, South Street, Jiaxing, Zhejiang, China

Http:// www.jinchanggps.com

E-mail:jcgps@vip.163.com

Tel: 86-0573-83692157/83692605/83958637 Fax:86-0573-83958635