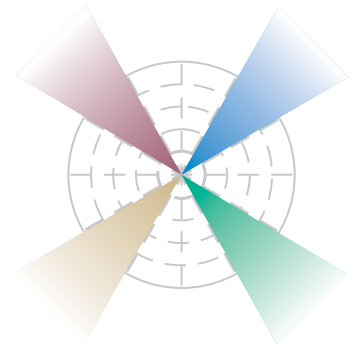


BL Series Microphones



Product Features

- Piezo-ceramic Microphone
- High Sensitivity
- Flat and Band-pass Frequency Response
- High Resistance to Mechanical Shock
- Three Package Options
- Used in Sound Level Meters
- Used as a Low Cost Reference Microphone

The BL series microphones are rugged, stable, and versatile. BL microphones are available in three different package sizes: standard, thin, or ½ inch cylindrical shell and cable assembly.

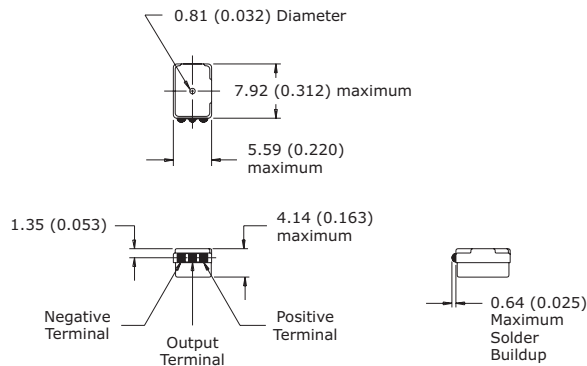
Both communication and broadband frequency response versions are offered. In addition, BL microphones have high vibration sensitivity, and may be used as accelerometers.



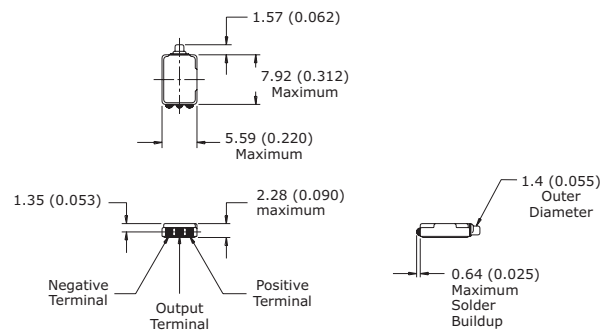
BL Series Microphone Specifications

Element Outline Drawings

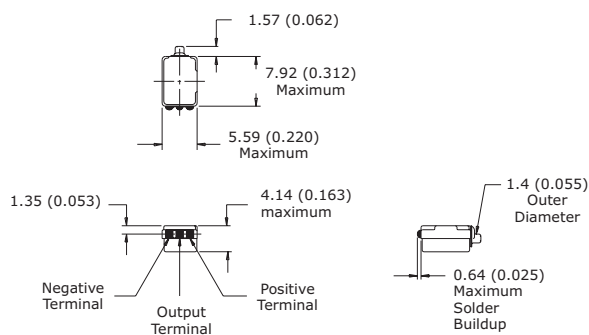
Thick Case OKn Signal Port Location Model BL-1670



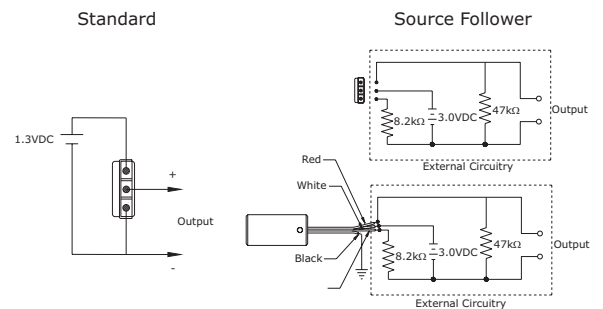
Thin Case 12S Signal Port Location Models BL-1681, BL-1785



Thick Case 12S Signal Port Location Model BL-1671



Test Condition



www.knowlesacoustics.com

AMERICAS:
Knowles Acoustics
1151 Maplewood Drive
Itasca, IL 60143 U.S.A.
Phone: 630-250-5930
Fax: 630-250-5932

EUROPE:
Knowles Acoustics
York Road, Burgess Hill
West Sussex, RT15 9TT
England
Phone: 441-444-235432
Fax: 441-444-872772

JAPAN:
Knowles Acoustics
Kyodo Bloom Building
19-1 Miyasaka 2-Chome
Setagaya-Ku, Tokyo 156, Japan
Phone: 81-3-3439-1151
Fax: 81-3-3439-8822

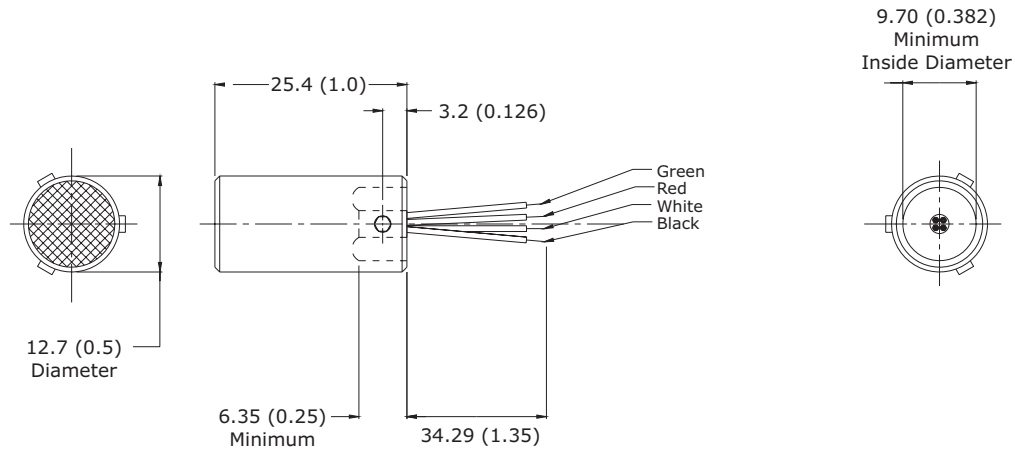
ASIA:
Knowles Acoustics
5F, No. 129, Lane 235, Bauchi Rd
Shindian City, Taipei 231, Taiwan
Republic of China
Phone: 886-2-8919-1799
Fax: 886-2-8919-1798

The information contained in this literature is based on our experience to date and is believed to be reliable and subject to change without notice. It is intended as a guide for use by persons having technical skill at their own discretion and risk. We do not guarantee favorable results or assume any liability in connection with its use. Dimensions contained herein are for reference purposes only. For specific dimensional requirements consult factory. This publication is not to be taken as a license to operate under, or recommendation to infringe any existing patents. This supersedes and voids all previous literature.

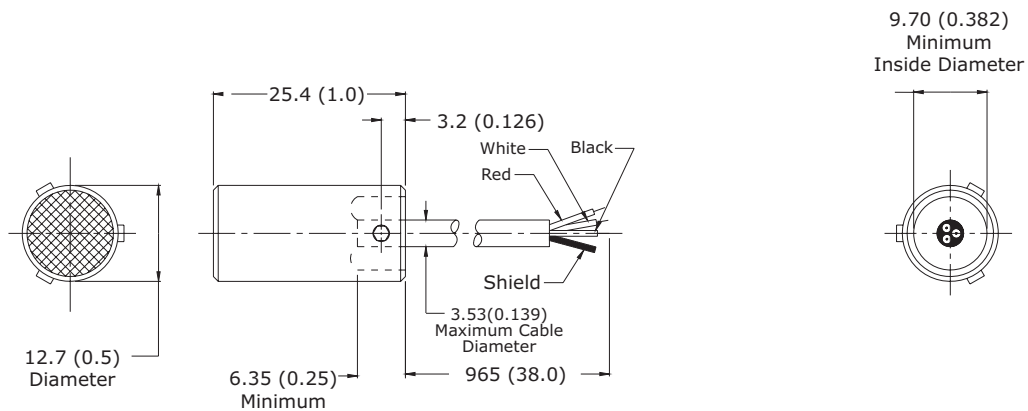
BL Series Microphone Specifications

Cylindrical Outline Drawings

Cylindrical Package with Flying Leads Model BL-3497 Nominal weight 13 grams



Cylindrical Package with Cable Model BL-1994 Nominal weight 27 grams



www.knowlesacoustics.com

AMERICAS:
Knowles Acoustics
1151 Maplewood Drive
Itasca, IL 60143 U.S.A.
Phone: 630-250-5930
Fax: 630-250-5932

EUROPE:
Knowles Acoustics
York Road, Burgess Hill
West Sussex, RT15 9TT
England
Phone: 441-444-235432
Fax: 441-444-872772




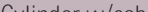


JAPAN:
Knowles Acoustics
Kyodo Bloom Building
19-1 Miyasaka 2-Chome
Setagaya-Ku, Tokyo 156, Japan
Phone: 81-3-3439-1151
Fax: 81-3-3439-8822

ASIA:
Knowles Acoustics
5F, No. 129, Lane 235, Bauchiau Rd
Shindian City, Taipei 231, Taiwan
Republic of China
Phone: 886-2-8919-1799
Fax: 886-2-8919-1798

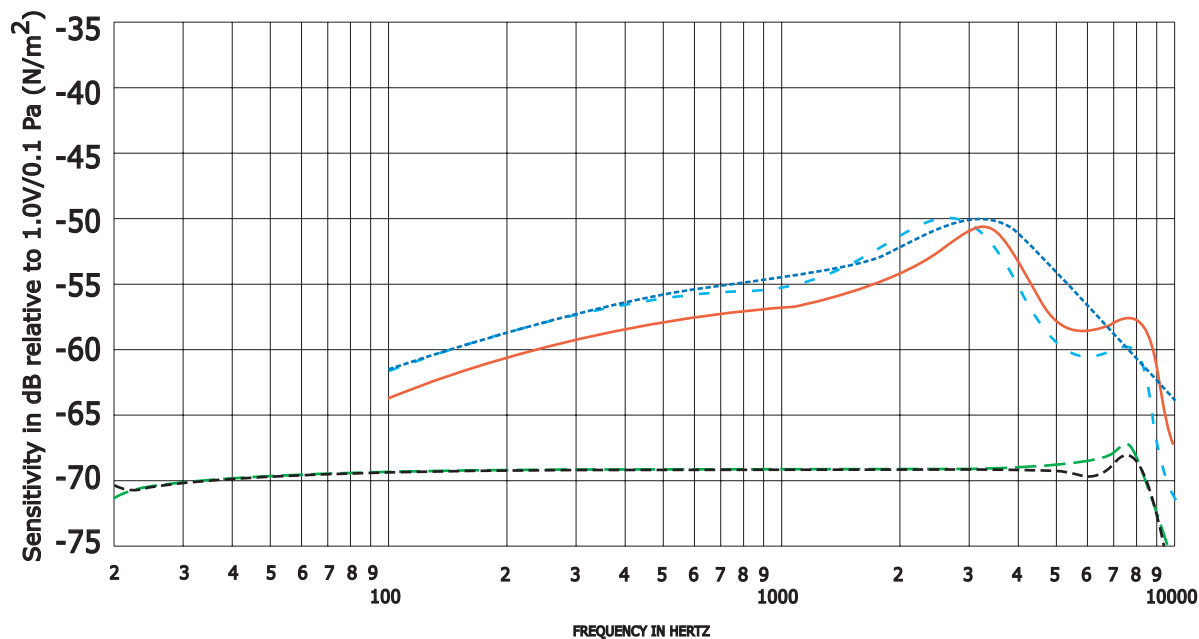
The information contained in this literature is based on our experience to date and is believed to be reliable and subject to change without notice. It is intended as a guide for use by persons having technical skill at their own discretion and risk. We do not guarantee favorable results or assume any liability in connection with its use. Dimensions contained herein are for reference purposes only. For specific dimensional requirements consult factory. This publication is not to be taken as a license to operate under, or recommendation to infringe any existing patents. This supersedes and voids all previous literature.

BL Series Microphone Specifications

Model Chart

Model	Outline Drawing + Response (Legend)	Test Circuit	DC Supply Voltage	Output Impedance (ohms)			Amplifier Current Drain (μA max.)	"A" Weighted Noise (1kHz equivalenten SPL) dB SPL max
				Min.	Nom.	Max.		
BL-1670	Thick Case OKn 	Standard	1.3	8000	13000	22000	50	32
BL-1671	Thick Case 12S 	Standard	1.3	8000	13000	22000	50	32
BL-1681	Thin Case 12S 	Standard	1.3	8000	13000	22000	50	34
BL-1785	Thin Case 12S 	Source Follower	3	--	4000	--	160	34
BL-1994	Cylinder w/cable 	Source Follower	3	--	4000	--	160	34
BL-3497	Cylinder w/leads 	Source Follower	3	--	4000	--	160	34

Frequency Response



www.knowlesacoustics.com

AMERICAS:
Knowles Acoustics
1151 Maplewood Drive
Itasca, IL 60143 U.S.A.
Phone: 630-250-5930
Fax: 630-250-5932

EUROPE:
Knowles Acoustics
York Road, Burgess Hill
West Sussex, RT15 9TT
England
Phone: 441-444-235432
Fax: 441-444-872772

JAPAN:
Knowles Acoustics
Kyodo Bloom Building
19-1 Miyasaka 2-Chome
Setagaya-Ku, Tokyo 156, Japan
Phone: 81-3-3439-1151
Fax: 81-3-3439-8822

ASIA:
Knowles Acoustics
5F, No. 129, Lane 235, Bauchiou Rd
Shindian City, Taipei 231, Taiwan
Republic of China
Phone: 886-2-8919-1799
Fax: 886-2-8919-1798

The information contained in this literature is based on our experience to date and is believed to be reliable and subject to change without notice. It is intended as a guide for use by persons having technical skill at their own discretion and risk. We do not guarantee favorable results or assume any liability in connection with its use. Dimensions contained herein are for reference purposes only. For specific dimensional requirements consult factory. This publication is not to be taken as a license to operate under, or recommendation to infringe any existing patents. This supersedes and voids all previous literature.