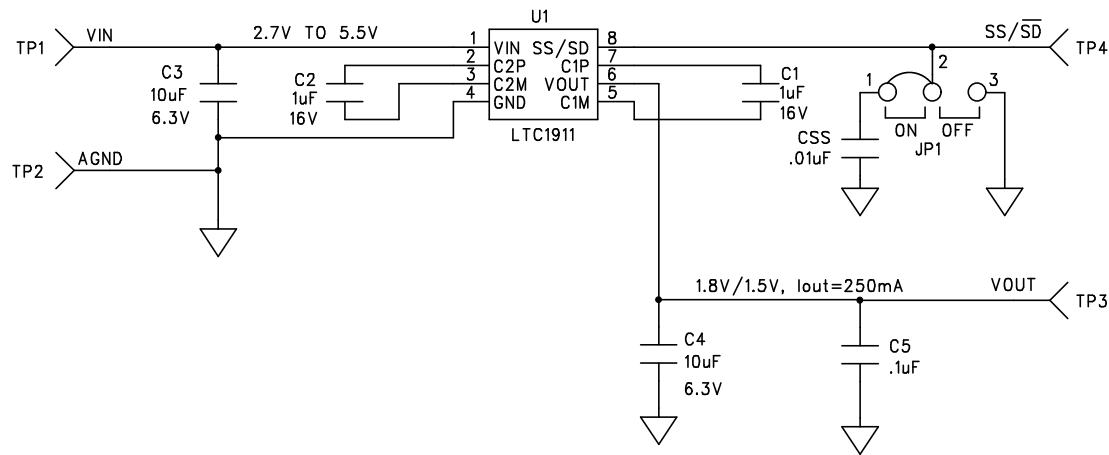

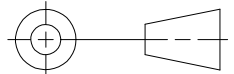


LTC CONFIDENTIAL - For Customer Use Only

REVISION HISTORY

ECO	REV	DESCRIPTION	DATE	APPROVED
	2	ADD C5; CHG JP1, WAS 2 PIN TERMINAL.	6/6/01	



<p>UNLESS OTHERWISE SPECIFIED DIMENSIONS ARE IN INCHES TOLERANCES ON ANGLE -- 3 PLACE -- 2 PLACE -- INTERPRET DIM AND TOL PER ASME Y14.5M - 1994</p>	CONTRACT NO		 <p>1630 McCarthy Blvd. Milpitas, CA 95035 Phone: (408)432-1900 Fax: (408)434-0507</p>			
	APPROVALS	DATE				
	DRAWN L.SANTOS	6/20/00				
	CHECKED					
THIRD ANGLE PROJECTION	APPROVED		TITLE			
 <p>DO NOT SCALE DRAWING</p>	ENGINEER		SCH, LTC1911, LOW NOISE CONSTANT FREQUENCY STEP-DOWN CHARGE PUMP PCB			
			SIZE A	CAGE CODE	DWG NO DC342A	REV 2
			SCALE NONE	FILENAME: 342Ar2.SCH	SHEET 1 OF 1	