

## SUMMARY

### # Wires

Low voltage	10
Coax	1



Image is for illustrative purpose only

Series	2P
Termination type	Male crimp mixed / multi coax
IP rating	50
AWG wire size	30.00 - 22.00
Cable Ø	7.30 - 9.20 mm
Status	active
Matching parts	<a href="#">CLB.810.GLL1G</a>

### Download

[Request a quote](#)

[Catalog](#)

## TECHNICAL DETAILS

### Mechanics

Shell Style/Model	CA*: Straight plug with cable collet and nut for fitting a bend relief
Keying	3 keys (alpha=0, gamma=60; Plug: male contacts; Receptacle: female contacts)
Housing Material	PSU (Polysulfone), gray
Weight	10.07 g

### Performance

Configuration	2P.810 : 1 Coax (50 Ohm), 10 Low V.
Insulator	L: PEEK for solder contacts
Rated Current	5 Amps

### Specifications

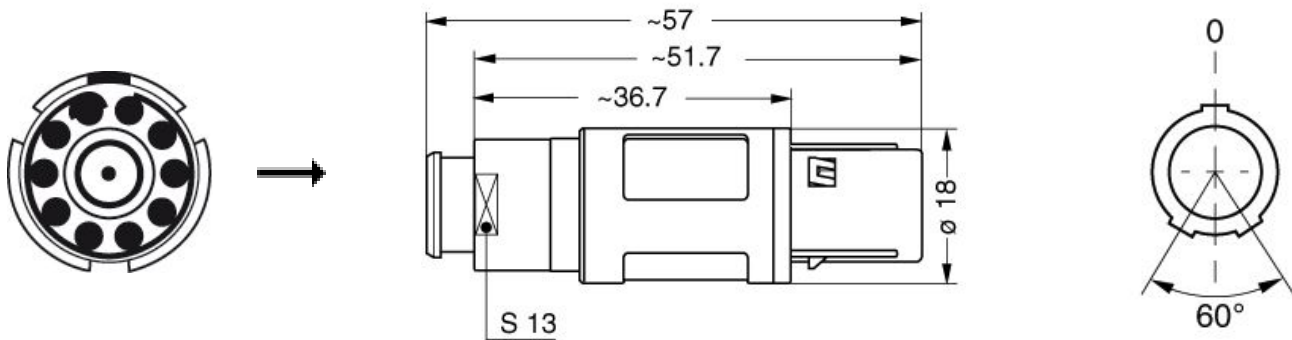
Test voltage (kV rms) Contact-contact:	1.25
Air clearance min.:	0.9 mm
Creepage distance min.:	0.9 mm

### Others

Endurance (Shell): >1000 mating cycles

LEMO products and services are provided "as is". LEMO makes no warranties or representations with regard to LEMO product & services or use of them, express, implied or statutory, including for accuracy, completeness, or security. The user is fully responsible for his products and applications using LEMO components.

# DRAWINGS



## Dimensions

	A	L
mm.	18	57
in.	0,71	2,24

# RECOMMENDED BY LEMO

## Tools

## Cables

LEMO products and services are provided "as is". LEMO makes no warranties or representations with regard to LEMO product & services or use of them, express, implied or statutory, including for accuracy, completeness, or security. The user is fully responsible for his products and applications using LEMO components.