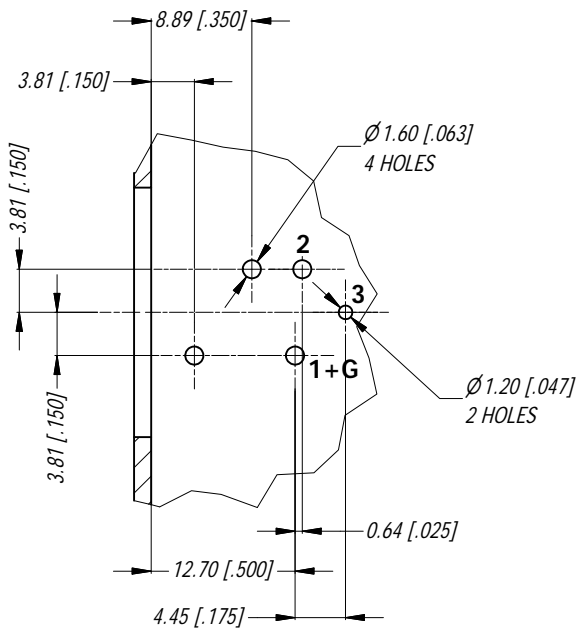


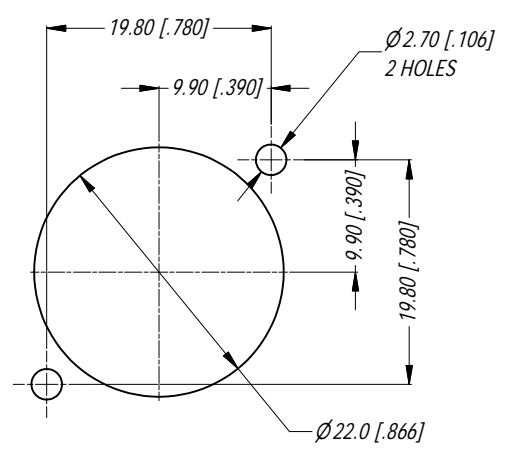
MIN MOUNTING PITCH (1:1)



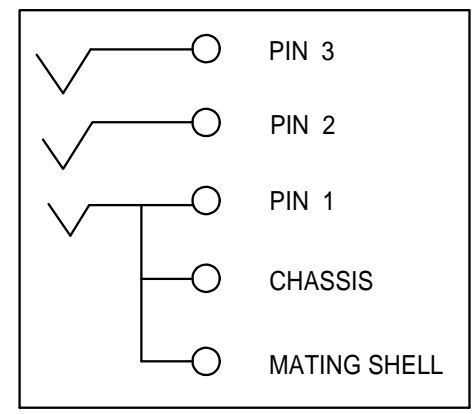
PCB LAYOUT

TOLERANCE : ± 0.05 [0.002 in]
NOTE: DIMS IN PARENTHESES ARE IN INCHES

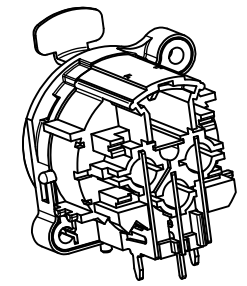
NOTE: SUFFIX "B" IN THE PART No. INDICATES BULK PACK.



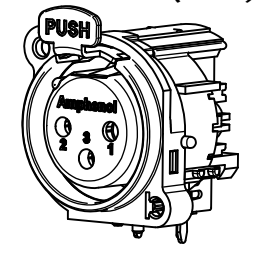
**PANEL CUT OUT
REAR VIEW**



SCHEMATIC CHART



3D VIEW (1:1)



REV	DESCRIPTION	DATE	BY	CHG NO
2	ADD SUFFIX B TO PART No	27/08/15	T.N	9318
1	CHANGE NEW PUSH LEVER & LATCH SPRING	18/12/08	A.O	8793
0	FIRST ISSUE	18/04/07	T.N	8686

REVISION HISTORY

UNLESS OTHERWISE SPECIFIED TOLERANCE TO BE:		THIS DOCUMENT IS THE PROPERTY OF AMPHENOL AUSTRALIA PTY. LTD. NO PART THEREOF MAY BE REPRODUCED AND USED WITHOUT THE PRIOR WRITTEN CONSENT OF THE OWNER			
LINER	ANGULAR	CAD FILE:	DRN:	DATE:	
X ±	X' ± 1	55010487000221	T.N	17/04/07	
X.X ±	X.X' ± 30°	MATL:	P.M	DATE:	
X.XX ±	X.XX' ± 15°	REFER TO COMPONENTS		07/04/09	
DO NOT SCALE		FINISH:	P.M	DATE:	
		REFER TO COMPONENTS		07/04/09	
DIMENSIONS IN MILLIMETRES		SCALE:	3:2	PART No:	AC3FBH1-AU-B
		THIRD ANGLE PROJECTION		SIZE:	A4

TITLE:		Amphenol	
XLR FEMALE B TYPE CONNECTOR		Amphenol Australia Pty.Ltd, 2 Fiveways Blvd, Keysborough, Vic3173	
CUSTOMER DWG		DRAWING NO.	SHEET
		55010487-000-2	2/2