

STANDARD EXECUTIONS

- **LMR.F-AS**: base with stem and nut or threaded blind joint, zinc-plated steel anchoring clip.
- **LMR.F-AS-SST**: base, nut and anchoring clip in AISI 304 stainless steel. Stem or threaded blind joint in AISI 303 stainless steel.

NO-SLIP DISK

NBR rubber (PERBUNAN), hardness 80±5 Shore A, black colour. Stainless steel washer and set screw, clamped by means of glue.

FEATURES

The perfect adhesion between the rubber and the metal surface of the cavity of the base and the fixing by means of an axial screw make the two components integral and avoid the infiltration of solid or liquid substances inside the base.

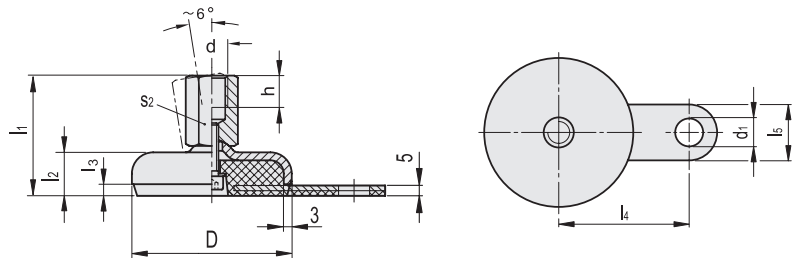
The stem can be adjusted from two positions: either by means of the hexagon socket at the upper end or by means of the spanner flats at the lower end.

TECHNICAL DATA

The load values reported in the table are the result of a series of tests with loads applied to the stem and distributed on the horizontal plane of the base. If these values are exceeded a deformation of metal sheet of the base can occur and therefore also the no-slip disk plastic material can be damaged.

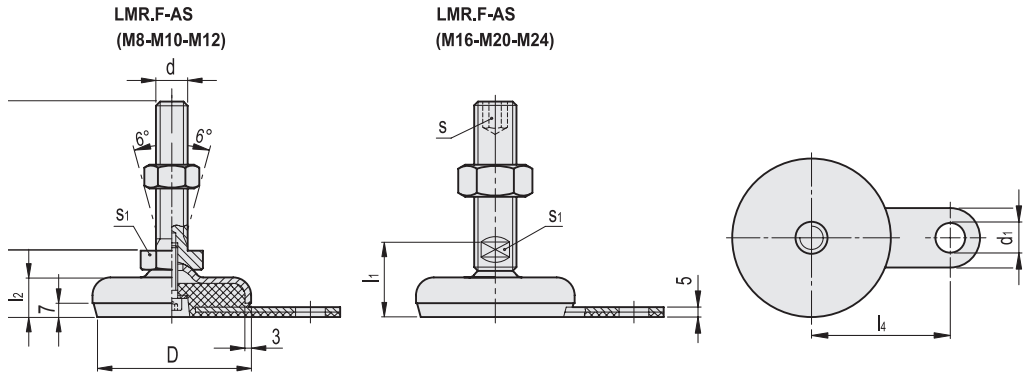


Conversion Table	
1 mm = 0.039 inch	
D	
mm	inch
50	1.97
60	2.36
80	3.15
100	3.94

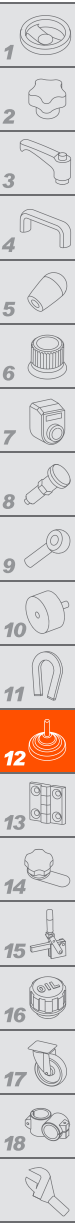


LMR.F-AS (d)

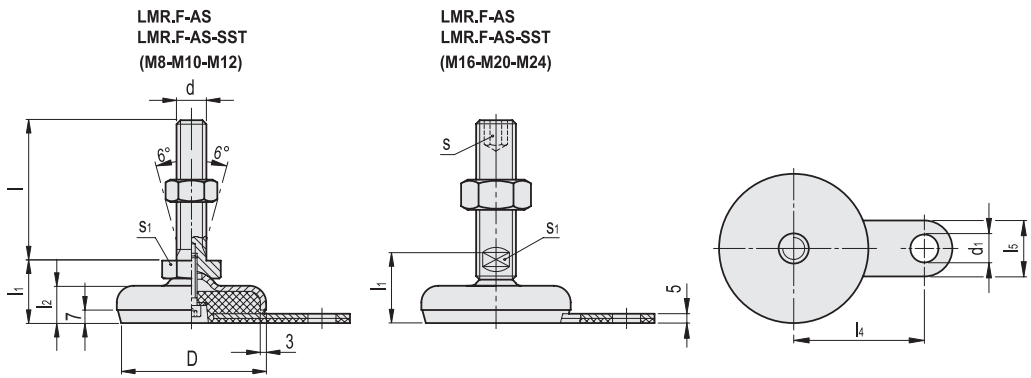
Code	Description	D	d	d1	l1	l2	l3	l4	l5	h	s2	Max. limit static load [N]	Δ
406707	LMR.F-50-AS-M8	50	M8	13	40	18	7	45	25	8	14	8000	110
406714	LMR.F-50-AS-M10	50	M10	13	43	18	7	45	25	10	14	8000	110
406720	LMR.F-50-AS-M12	50	M12	13	47	18	7	45	25	12	17	8000	110
406729	LMR.F-50-AS-M16	50	M16	13	52	18	7	45	25	16	22	8000	110
406807	LMR.F-60-AS-M8	60	M8	13	41	19	7	50	25	8	14	8000	110
406814	LMR.F-60-AS-M10	60	M10	13	44	19	7	50	25	10	14	8000	110
406820	LMR.F-60-AS-M12	60	M12	13	48	19	7	50	25	12	17	8000	110
406829	LMR.F-60-AS-M16	60	M16	13	53	19	7	50	25	16	22	8000	110
406901	LMR.F-80-AS-M8	80	M8	13	42	20	7	70	30	8	14	8000	110
406909	LMR.F-80-AS-M10	80	M10	13	45	20	7	70	30	10	14	8000	110
406916	LMR.F-80-AS-M12	80	M12	13	49	20	7	70	30	12	17	8000	110
406930	LMR.F-80-AS-M16	80	M16	13	54	20	7	70	30	16	22	8000	110
406950	LMR.F-80-AS-M20	80	M20	13	62	20	7	70	30	20	27	8000	110
406983	LMR.F-100-AS-M8	100	M8	13	43	21	7	80	30	8	14	8000	110
406991	LMR.F-100-AS-M10	100	M10	13	46	21	7	80	30	10	14	8000	110
407006	LMR.F-100-AS-M12	100	M12	13	50	21	7	80	30	12	17	8000	110
407030	LMR.F-100-AS-M16	100	M16	13	55	21	7	80	30	16	22	8000	110
407050	LMR.F-100-AS-M20	100	M20	13	63	21	7	80	30	20	27	8000	110



LMR.F-AS (d - l)		D	d	d1	l	l1	l2	l3	l4	l5	s	s1	Max. limit static load [N]	⚖️
406711	LMR.F-50-AS-M8x40	50	M8	13	40	26	18	7	45	25	-	17	8000	95
406713	LMR.F-50-AS-M8x50	50	M8	13	50	26	18	7	45	25	-	17	8000	105
406715	LMR.F-50-AS-M10x50	50	M10	13	50	26	18	7	45	25	-	17	10000	130
406717	LMR.F-50-AS-M10x60	50	M10	13	60	26	18	7	45	25	-	17	10000	140
406719	LMR.F-50-AS-M10x80	50	M10	13	80	26	18	7	45	25	-	17	10000	155
406718	LMR.F-50-AS-M10x100	50	M10	13	100	26	18	7	45	25	-	17	10000	155
406721	LMR.F-50-AS-M12x60	50	M12	13	60	26	18	7	45	25	-	17	12000	140
406723	LMR.F-50-AS-M12x80	50	M12	13	80	26	18	7	45	25	-	17	12000	160
406725	LMR.F-50-AS-M12x100	50	M12	13	100	26	18	7	45	25	-	17	12000	180
406726	LMR.F-50-AS-M12x125	50	M12	13	125	26	18	7	45	25	-	17	12000	180
406732	LMR.F-50-AS-M16x75	50	M16	13	75	32	18	7	45	25	8	12	16000	232
406736	LMR.F-50-AS-M16x125	50	M16	13	125	32	18	7	45	25	8	12	16000	305
406738	LMR.F-50-AS-M16x150	50	M16	13	150	32	18	7	45	25	8	12	16000	340
406739	LMR.F-50-AS-M16x200	50	M16	13	200	32	18	7	45	25	8	12	16000	340
406740	LMR.F-50-AS-M16x250	50	M16	13	250	32	18	7	45	25	8	12	16000	340
406811	LMR.F-60-AS-M8x40	60	M8	13	40	27	19	7	50	25	-	17	8000	140
406813	LMR.F-60-AS-M8x50	60	M8	13	50	27	19	7	50	25	-	17	8000	150
406812	LMR.F-60-AS-M8x63	60	M8	13	63	27	19	7	50	25	-	17	8000	150
406815	LMR.F-60-AS-M10x50	60	M10	13	50	27	19	7	50	25	-	17	10000	170
406817	LMR.F-60-AS-M10x60	60	M10	13	60	27	19	7	50	25	-	17	10000	180
406819	LMR.F-60-AS-M10x80	60	M10	13	80	27	19	7	50	25	-	17	10000	190
406818	LMR.F-60-AS-M10x100	60	M10	13	100	27	19	7	50	25	-	17	10000	190
406821	LMR.F-60-AS-M12x60	60	M12	13	60	27	19	7	50	25	-	17	12000	215
406823	LMR.F-60-AS-M12x80	60	M12	13	80	27	19	7	50	25	-	17	12000	216
406825	LMR.F-60-AS-M12x100	60	M12	13	100	27	19	7	50	25	-	17	12000	220
406826	LMR.F-60-AS-M12x125	60	M12	13	125	27	19	7	50	25	-	17	12000	220
406832	LMR.F-60-AS-M16x75	60	M16	13	75	33	19	7	50	25	8	12	16000	240
406834	LMR.F-60-AS-M16x100	60	M16	13	100	33	19	7	50	25	8	12	16000	315
406836	LMR.F-60-AS-M16x125	60	M16	13	125	33	19	7	50	25	8	12	16000	350
406838	LMR.F-60-AS-M16x150	60	M16	13	150	33	19	7	50	25	8	12	16000	390
406839	LMR.F-60-AS-M16x200	60	M16	13	200	33	19	7	50	25	8	12	16000	315
406840	LMR.F-60-AS-M16x250	60	M16	13	250	33	19	7	50	25	8	12	16000	315
406905	LMR.F-80-AS-M8x40	80	M8	15	40	28	20	7	70	30	-	17	10000	280
406906	LMR.F-80-AS-M8x50	80	M8	15	50	28	20	7	70	30	-	17	10000	280
406907	LMR.F-80-AS-M8x63	80	M8	15	63	28	20	7	70	30	-	17	10000	280
406911	LMR.F-80-AS-M10x50	80	M10	15	50	28	20	7	70	30	-	17	10000	280
406913	LMR.F-80-AS-M10x60	80	M10	15	60	28	20	7	70	30	-	17	10000	290
406915	LMR.F-80-AS-M10x80	80	M10	15	80	28	20	7	70	30	-	17	10000	310
406914	LMR.F-80-AS-M10x100	80	M10	15	100	28	20	7	70	30	-	17	10000	310
406917	LMR.F-80-AS-M12x60	80	M12	15	60	28	20	7	70	30	-	17	12000	325
406919	LMR.F-80-AS-M12x80	80	M12	15	80	28	20	7	70	30	-	17	12000	327
406921	LMR.F-80-AS-M12x100	80	M12	15	100	28	20	7	70	30	-	17	12000	330
406923	LMR.F-80-AS-M12x125	80	M12	15	125	28	20	7	70	30	-	17	12000	330



Leveling feet and supports



LMR.F-AS (d - l)

Code	Description	D	d	d1	l	l1	l2	l3	l4	l5	s	s1	Max. limit static load [N]	⚖️
406932	LMR.F-80-AS-M16x75	80	M16	15	75	34	20	7	70	30	8	12	12000	365
406934	LMR.F-80-AS-M16x100	80	M16	15	100	34	20	7	70	30	8	12	12000	430
406936	LMR.F-80-AS-M16x125	80	M16	15	125	34	20	7	70	30	8	12	12000	465
406938	LMR.F-80-AS-M16x150	80	M16	15	150	34	20	7	70	30	8	12	12000	495
406939	LMR.F-80-AS-M16x200	80	M16	15	200	34	20	7	70	30	8	12	12000	495
406940	LMR.F-80-AS-M16x250	80	M16	15	250	34	20	7	70	30	8	12	12000	495
406952	LMR.F-80-AS-M20x75	80	M20	15	75	34	20	7	70	30	10	15	12000	470
406954	LMR.F-80-AS-M20x100	80	M20	15	100	34	20	7	70	30	10	15	12000	525
406956	LMR.F-80-AS-M20x125	80	M20	15	125	34	20	7	70	30	10	15	12000	570
406958	LMR.F-80-AS-M20x150	80	M20	15	150	34	20	7	70	30	10	15	12000	635
406959	LMR.F-80-AS-M20x200	80	M20	15	200	34	20	7	70	30	10	15	12000	635
406960	LMR.F-80-AS-M20x250	80	M20	15	250	34	20	7	70	30	10	15	12000	635
406972	LMR.F-80-AS-M24x100	80	M24	15	100	34	20	7	70	30	12	19	12000	660
406974	LMR.F-80-AS-M24x125	80	M24	15	125	34	20	7	70	30	12	19	12000	700
406976	LMR.F-80-AS-M24x150	80	M24	15	150	34	20	7	70	30	12	19	12000	800
406978	LMR.F-80-AS-M24x200	80	M24	15	200	34	20	7	70	30	12	19	12000	800
406980	LMR.F-80-AS-M24x300	80	M24	15	300	34	20	7	70	30	12	19	12000	800
406985	LMR.F-100-AS-M8x40	100	M8	15	40	29	21	7	80	30	-	17	11000	440
406986	LMR.F-100-AS-M8x50	100	M8	15	50	29	21	7	80	30	-	17	11000	440
406987	LMR.F-100-AS-M8x63	100	M8	15	63	29	21	7	80	30	-	17	11000	440
406995	LMR.F-100-AS-M10x50	100	M10	15	50	29	21	7	80	30	-	17	11000	440
406996	LMR.F-100-AS-M10x60	100	M10	15	60	29	21	7	80	30	-	17	11000	440
406997	LMR.F-100-AS-M10x80	100	M10	15	80	29	21	7	80	30	-	17	11000	440
406998	LMR.F-100-AS-M10x100	100	M10	15	100	29	21	7	80	30	-	17	11000	440
407011	LMR.F-100-AS-M12x60	100	M12	15	60	29	21	7	80	30	-	17	11000	440
407013	LMR.F-100-AS-M12x80	100	M12	15	80	29	21	7	80	30	-	17	11000	490
407015	LMR.F-100-AS-M12x100	100	M12	15	100	29	21	7	80	30	-	17	11000	540
407017	LMR.F-100-AS-M12x125	100	M12	15	125	29	21	7	80	30	-	17	11000	540
407032	LMR.F-100-AS-M16x75	100	M16	15	75	35	21	7	80	30	8	12	11000	480
407034	LMR.F-100-AS-M16x100	100	M16	15	100	35	21	7	80	30	8	12	11000	560
407036	LMR.F-100-AS-M16x125	100	M16	15	125	35	21	7	80	30	8	12	11000	605
407038	LMR.F-100-AS-M16x150	100	M16	15	150	35	21	7	80	30	8	12	11000	635
407039	LMR.F-100-AS-M16x200	100	M16	15	200	35	21	7	80	30	8	12	11000	635
407040	LMR.F-100-AS-M16x250	100	M16	15	250	35	21	7	80	30	8	12	11000	635
407052	LMR.F-100-AS-M20x75	100	M20	15	75	36	21	7	80	30	10	15	11000	600
407054	LMR.F-100-AS-M20x100	100	M20	15	100	36	21	7	80	30	10	15	11000	665
407056	LMR.F-100-AS-M20x125	100	M20	15	125	36	21	7	80	30	10	15	11000	700
407058	LMR.F-100-AS-M20x150	100	M20	15	150	36	21	7	80	30	10	15	11000	760
407059	LMR.F-100-AS-M20x200	100	M20	15	200	36	21	7	80	30	10	15	11000	760
407060	LMR.F-100-AS-M20x250	100	M20	15	250	36	21	7	80	30	10	15	11000	760
407072	LMR.F-100-AS-M24x100	100	M24	15	100	39	21	7	80	30	12	19	11000	800
407074	LMR.F-100-AS-M24x125	100	M24	15	125	39	21	7	80	30	12	19	11000	900
407076	LMR.F-100-AS-M24x150	100	M24	15	150	39	21	7	80	30	12	19	11000	960
407078	LMR.F-100-AS-M24x200	100	M24	15	200	39	21	7	80	30	12	19	11000	960
407080	LMR.F-100-AS-M24x300	100	M24	15	300	39	21	7	80	30	12	19	11000	960

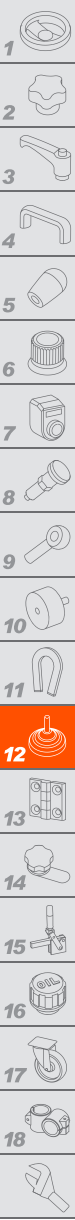
Leveling feet and supports

Conversion Table	
1 mm = 0.039 inch	
D	
mm	inch
50	1.97
60	2.36
80	3.15
100	3.94

LMR.F-AS-SST (d - l)

INOX STAINLESS STEEL METRIC

Code	Description	D	d	d1	l	l1	l2	l3	l4	l5	s	s1	Max. limit static load [N]	
408711	LMR.F-50-AS-SST-M8x40	50	M8	13	40	26	18	7	45	25	-	17	8000	96
408713	LMR.F-50-AS-SST-M8x50	50	M8	13	50	26	18	7	45	25	-	17	8000	106
408715	LMR.F-50-AS-SST-M10x50	50	M10	13	50	26	18	7	45	25	-	17	14000	131
408717	LMR.F-50-AS-SST-M10x60	50	M10	13	60	26	18	7	45	25	-	17	14000	141
408719	LMR.F-50-AS-SST-M10x80	50	M10	13	80	26	18	7	45	25	-	17	14000	157
408721	LMR.F-50-AS-SST-M12x60	50	M12	13	60	26	18	7	45	25	-	17	20000	141
408723	LMR.F-50-AS-SST-M12x80	50	M12	13	80	26	18	7	45	25	-	17	20000	162
408725	LMR.F-50-AS-SST-M12x100	50	M12	13	100	26	18	7	45	25	-	17	20000	182
408732	LMR.F-50-AS-SST-M16x75	50	M16	13	75	32	18	7	45	25	8	12	28000	234
408734	LMR.F-50-AS-SST-M16x100	50	M16	13	100	32	18	7	45	25	8	12	28000	268
408736	LMR.F-50-AS-SST-M16x125	50	M16	13	125	32	18	7	45	25	8	12	28000	308
408738	LMR.F-50-AS-SST-M16x150	50	M16	13	150	32	18	7	45	25	8	12	28000	343
408811	LMR.F-60-AS-SST-M8x40	60	M8	13	40	27	19	7	50	25	-	17	8000	141
408813	LMR.F-60-AS-SST-M8x50	60	M8	13	50	27	19	7	50	25	-	17	8000	152
408815	LMR.F-60-AS-SST-M10x50	60	M10	13	50	27	19	7	50	25	-	17	14000	172
408817	LMR.F-60-AS-SST-M10x60	60	M10	13	60	27	19	7	50	25	-	17	14000	182
408819	LMR.F-60-AS-SST-M10x80	60	M10	13	80	27	19	7	50	25	-	17	14000	192
408821	LMR.F-60-AS-SST-M12x60	60	M12	13	60	27	19	7	50	25	-	17	20000	217
408823	LMR.F-60-AS-SST-M12x80	60	M12	13	80	27	19	7	50	25	-	17	20000	218
408825	LMR.F-60-AS-SST-M12x100	60	M12	13	100	27	19	7	50	25	-	17	20000	222
408832	LMR.F-60-AS-SST-M16x75	60	M16	13	75	33	19	7	50	25	8	12	28000	242
408834	LMR.F-60-AS-SST-M16x100	60	M16	13	100	33	19	7	50	25	8	12	28000	318
408836	LMR.F-60-AS-SST-M16x125	60	M16	13	125	33	19	7	50	25	8	12	28000	353
408838	LMR.F-60-AS-SST-M16x150	60	M16	13	150	33	19	7	50	25	8	12	28000	394
408911	LMR.F-80-AS-SST-M10x50	80	M10	15	50	28	20	7	70	30	-	17	14000	283
408913	LMR.F-80-AS-SST-M10x60	80	M10	15	60	28	20	7	70	30	-	17	14000	293
408915	LMR.F-80-AS-SST-M10x80	80	M10	15	80	28	20	7	70	30	-	17	14000	313
408917	LMR.F-80-AS-SST-M12x60	80	M12	15	60	28	20	7	70	30	-	17	20000	328
408919	LMR.F-80-AS-SST-M12x80	80	M12	15	80	28	20	7	70	30	-	17	20000	330
408921	LMR.F-80-AS-SST-M12x100	80	M12	15	100	28	20	7	70	30	-	17	20000	333
408932	LMR.F-80-AS-SST-M16x75	80	M16	15	75	34	20	7	70	30	8	12	19000	369
408934	LMR.F-80-AS-SST-M16x100	80	M16	15	100	34	20	7	70	30	8	12	19000	434
408936	LMR.F-80-AS-SST-M16x125	80	M16	15	125	34	20	7	70	30	8	12	19000	470
408938	LMR.F-80-AS-SST-M16x150	80	M16	15	150	34	20	7	70	30	8	12	19000	500
408952	LMR.F-80-AS-SST-M20x75	80	M20	15	75	34	20	7	70	30	10	15	19000	475
408954	LMR.F-80-AS-SST-M20x100	80	M20	15	100	34	20	7	70	30	10	15	19000	530
408956	LMR.F-80-AS-SST-M20x125	80	M20	15	125	34	20	7	70	30	10	15	19000	576
408958	LMR.F-80-AS-SST-M20x150	80	M20	15	150	34	20	7	70	30	10	15	19000	641
408972	LMR.F-80-AS-SST-M24x100	80	M24	15	100	34	20	7	70	30	12	19	19000	667
408974	LMR.F-80-AS-SST-M24x125	80	M24	15	125	34	20	7	70	30	12	19	19000	707
408976	LMR.F-80-AS-SST-M24x150	80	M24	15	150	34	20	7	70	30	12	19	19000	808
409011	LMR.F-100-AS-SST-M12x60	100	M12	15	60	29	21	7	80	30	-	17	17000	444
409013	LMR.F-100-AS-SST-M12x80	100	M12	15	80	29	21	7	80	30	-	17	17000	495
409015	LMR.F-100-AS-SST-M12x100	100	M12	15	100	29	21	7	80	30	-	17	17000	545
409032	LMR.F-100-AS-SST-M16x75	100	M16	15	75	35	21	7	80	30	8	12	17000	485
409034	LMR.F-100-AS-SST-M16x100	100	M16	15	100	35	21	7	80	30	8	12	17000	566
409036	LMR.F-100-AS-SST-M16x125	100	M16	15	125	35	21	7	80	30	8	12	17000	611
409038	LMR.F-100-AS-SST-M16x150	100	M16	15	150	35	21	7	80	30	8	12	17000	641
409052	LMR.F-100-AS-SST-M20x75	100	M20	15	75	35	21	7	80	30	10	15	17000	606
409054	LMR.F-100-AS-SST-M20x100	100	M20	15	100	35	21	7	80	30	10	15	17000	672
409056	LMR.F-100-AS-SST-M20x125	100	M20	15	125	35	21	7	80	30	10	15	17000	707
409058	LMR.F-100-AS-SST-M20x150	100	M20	15	150	35	21	7	80	30	10	15	17000	768
409072	LMR.F-100-AS-SST-M24x100	100	M24	15	100	35	21	7	80	30	12	19	17000	808
409074	LMR.F-100-AS-SST-M24x125	100	M24	15	125	35	21	7	80	30	12	19	17000	909
409076	LMR.F-100-AS-SST-M24x150	100	M24	15	150	35	21	7	80	30	12	19	17000	970



Leveling feet and supports