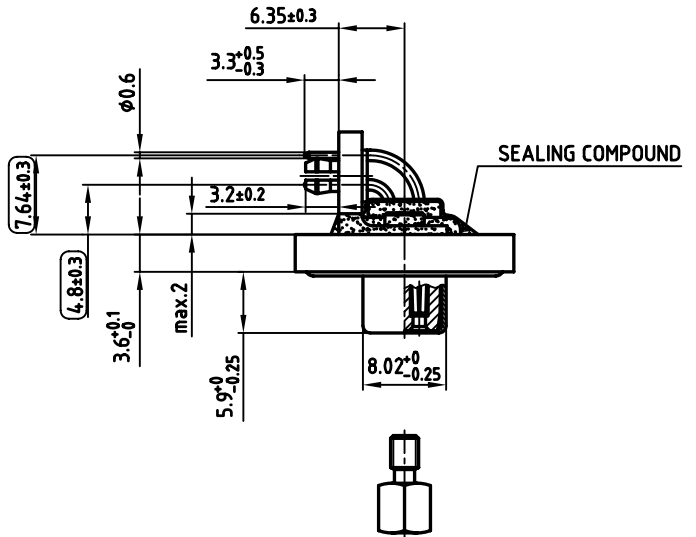
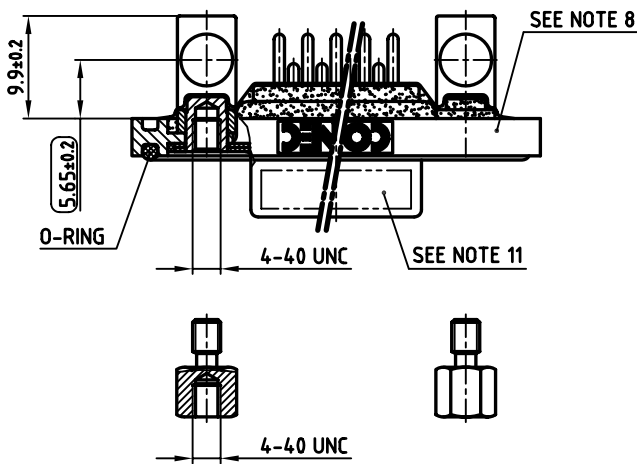
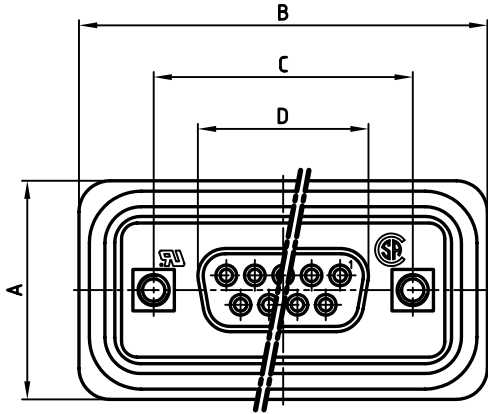


used for: D-SUB

No. of pos.	A ^{+0.2}	B ^{+0.2}	C	D ^{-0.25}	PART NO.
9	21.1	39.4	25.00 ^{+0.12} _{-0.13}	16.46	6STD09SCT99S40X
15	21.1	47.7	33.30 ^{+0.15} _{-0.1}	24.79	6STD15SCT99S40X
25	21.1	61.4	47.04 ^{+0.13}	38.50	6STD25SCT99S40X
37	21.1	77.9	63.50 ^{+0.13}	54.96	6STD37SCT99S40X



NOTES:

- METALSHELLS: COPPER ALLOY; min. 320µ" TIN
- INSULATORS: PBT GF UL 94 V-0, BLACK
- CONTACTS: COPPER ALLOY
PLATING: 30µ" HARD GOLD OVER min. 50µ" NICKEL
- METAL BRACKET: STEEL; min. 320µ" TIN over 80µ" NICKEL
- THREADED INSERT: COPPER ALLOY; min. 200µ" TIN over 80µ" NICKEL
- PCB-SNAP: COPPER ALLOY; min. 200µ" TIN over 80µ" NICKEL
PCB-HOLE: $\phi 3.1 \pm 0.1$; PCB THICKNESS 1.6mm
- HEXLOCKING SCREW: STAINLESS STEEL
- FRAME: ZINC DIECAST; NICKEL PLATED
- P.C.B. HOLE DRILLINGS ON SHEET 2 + 3
- MAXIMUM TORQUE VALUE FOR THREAD: 6" LBS
- CONNECTOR IS PART MARKED: PART-NO. CONEC ABC
- = CHECK DIMENSION

Directive 2002/95/EC
RoHS
Compliant

APPROVAL # FREIGABE # DEBLOCAGE # AUTORIZACION # APPROVAL

CUSTOMER APPROVAL DATE:

NAME: _____ TITLE: _____

COMPANY NAME: _____

APPROVAL # FREIGABE # DEBLOCAGE # AUTORIZACION # APPROVAL

THIS DRAWING MAY NOT BE COPIED OR REPRODUCED IN ANY WAY, AND MAY NOT BE PASSED ON TO A THIRD PARTY, WITHOUT WRITTEN PERMISSION. OWNERSHIP AND COPYRIGHT OF CONEC GmbH DO NOT ALTER CAD DRAWING BY HAND

rev.	description	date	name

tolerance			scale: 2:1	
dim. in mm			material: SEE NOTES	
2004	date	name		
drawn	03.09.	Lehmenkühler		
appd.	03.09.	Mickenbecker		
norm		DIN 41652		
d-old				
CONEC				

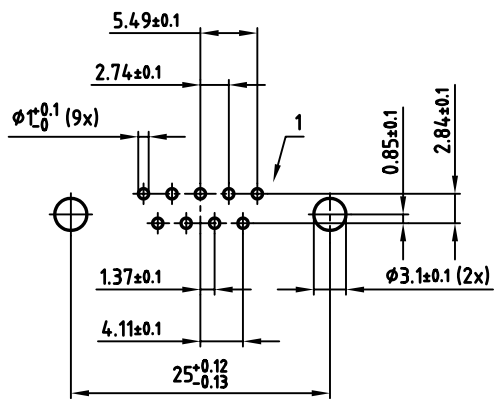
title: **D-SUB FEMALE 90°**
9-37pos. SOLDER PIN ANGLED
with threaded insert, metal bracket and clip

dwg no: AutoCAD 2004 DIN-A
3 sh:1/3

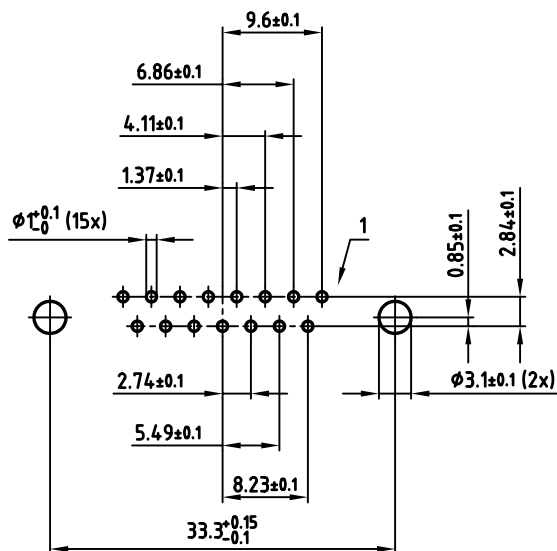
part no: **18K1A293**

SEE TABLE

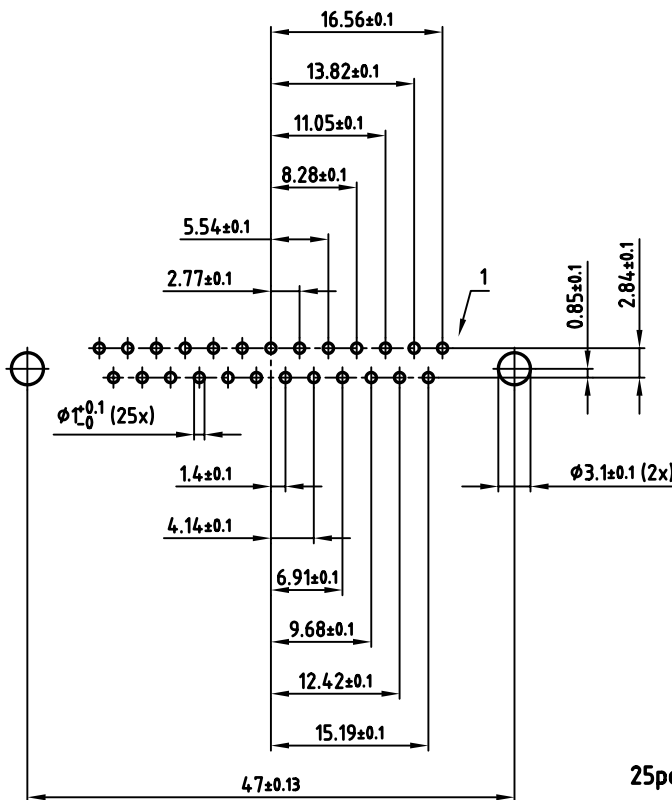
used for: D-SUB



9pos.



15pos.



25pos.

APPROVAL # FREIGABE # DEBLOCKAGE # AUTORIZACION # APPROVAL

CUSTOMER APPROVAL DATE:

NAME: TITLE:

COMPANY NAME:

APPROVAL # FREIGABE # DEBLOCKAGE # AUTORIZACION # APPROVAL

THIS DRAWING MAY NOT BE COPIED OR REPRODUCED IN ANY WAY, AND MAY NOT BE PASSED ON TO A THIRD PARTY, WITHOUT WRITTEN PERMISSION. OWNERSHIP AND COPYRIGHT OF CONEC GmbH DO NOT ALTER CAD DRAWING BY HAND

rev.	description	date	name

tolerance		dim. in mm
2004	date	name
drawn	03.09.	Lehmenkühler
appd.	03.09.	Mickenbecker
norm	DIN 41652	
d-old		

scale: 2:1

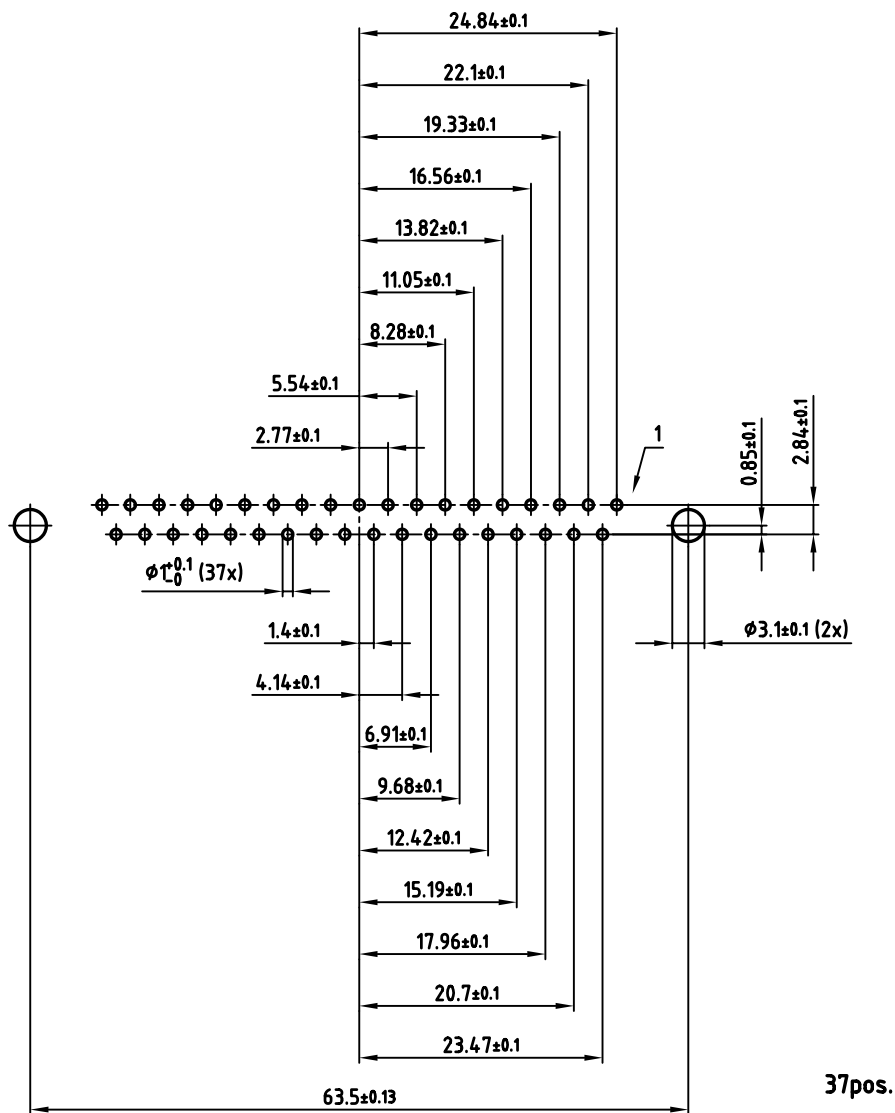
material: SEE SHEET 1

title: P.C.B. HOLE DRILLINGS
D-SUB FEMALE 90° 9-37pos. SOLDER PIN 90° with threaded insert, metal bracket and clip

dwg no: AutoCAD 2004 DIN-A 3 sh:2/3

part no: SEE SHEET 1

used for: D-SUB



APPROVAL # FREIGABE # DEBLOCAGE # AUTORIZACION # APPROVAL

CUSTOMER APPROVAL DATE:

NAME: TITLE:

COMPANY NAME:

APPROVAL # FREIGABE # DEBLOCAGE # AUTORIZACION # APPROVAL

THIS DRAWING MAY NOT BE COPIED OR REPRODUCED IN ANY WAY, AND MAY NOT BE PASSED ON TO A THIRD PARTY, WITHOUT WRITTEN PERMISSION. OWNERSHIP AND COPYRIGHT OF CONEC GmbH DO NOT ALTER CAD DRAWING BY HAND

rev.	description	date	name

tolerance		dim. in mm
2004	date	
drawn	03.09.	name
appd.	03.09.	Mickenbecker
norm	DIN 41652	
d-old		

scale: 2:1

material: SEE SHEET 1

title: P.C.B. HOLE DRILLINGS
D-SUB FEMALE 90° 9-37pos. SOLDER PIN 90° with threaded insert, metal bracket and clip

dwg no: AutoCAD 2004 DIN-A 3 sh:3/3

part no: SEE SHEET 1