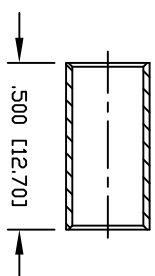
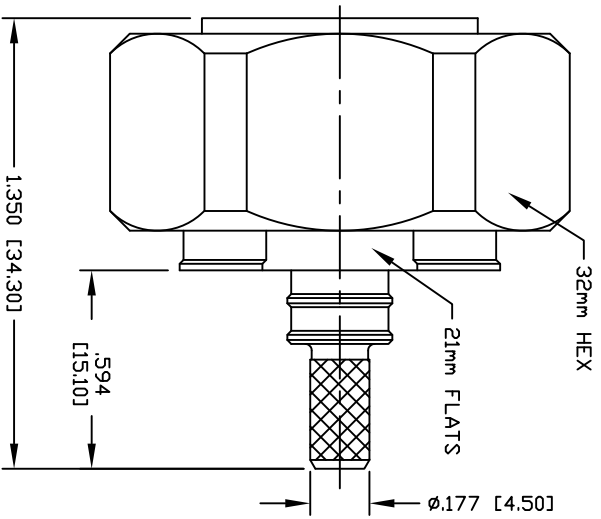
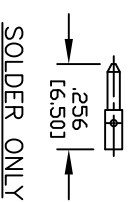


PART NO.		RFD-1602-4C	
REV	DESCRIPTION	DWN	DATE
A	UPDATED STRIPPING DIMENSIONS	CZS	10/02/20
		APPROVED	JDMc



RECOMMENDED CRIMP DIE: .213"



SPECIFICATIONS:

IMPEDANCE: 50 Ohms
 FREQUENCY RANGE: 0-6 GHz
 VSWR: 1.25 @ 3GHz
 VSWR: 1.35 @ 6GHz
 INSULATION RESISTANCE: 5k M Ohms min.
 TEMPERATURE RANGE: -40°C TO 85°C
 DURABILITY: 500 CYCLES
 FOR RG-58, 58A, 58C, 141, 141A, BELDEN 8240, 9907
 8259, 8262, 9201, 9203, 9310, 9311 & COMM/SCOPE 0268

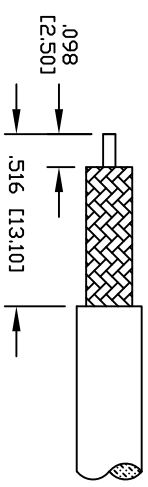
#	DESCRIPTION	QTY	MATERIAL	FINISH
8	COUPLING NUT	1	BRASS	WHITE BRONZE
7	PIN	1	BRASS	SILVER
6	O-RING	1	RUBBER	RED
5	RETAINING RING	1	SST	PASSIVATED
4	FERRULE	1	COPPER	WHITE BRONZE
3	CONTACT	1	BRASS	SILVER
2	INSULATOR	1	PTFE	NATURAL
1	BODY	1	BRASS	WHITE BRONZE

CUSTOMER OUTLINE DRAWING
 ALL DIMENSIONS ARE REFERENCE ONLY
 UNLESS OTHERWISE SPECIFIED: DIMENSIONS ARE IN INCHES AND [MILLIMETERS]

DRW: ZUNIGA
 C: ZUNIGA
 10/16/19



PROPRIETARY AND CONFIDENTIAL
 THIS DRAWING CONTAINS INFORMATION PROPRIETARY TO RF INDUSTRIES, ANY UNAUTHORIZED USE OF THIS DRAWING IS EXPRESSLY PROHIBITED WITHOUT WRITTEN PERMISSION FROM RF INDUSTRIES. ANY VIOLATION IS PUNISHABLE UNDER U.S. COPRIGHT LAWS.



RECOMMENDED STRIPPING DIMENSIONS



7/16 DIN MALE CRIMP
 FOR RG-58 CABLE

RF INDUSTRIES.COM
 7610 MIRAMAR RD.
 SAN DIEGO, CA 92126
 (858) 549-6340
 (858) 549-6345 FAX

CABLE GROUP	DWG #	REVISION
A	RFD-1602-4C	A
FORMAT	SCALE	CONTROL #
A	NTS	000000
		SHEET 1 OF 1