

LOC	DIST	REVISIONS					
		P	LTR	DESCRIPTION	DATE	DWN	APVD
A1	-		A1	PART NUMBER CHANGED TO TYCO ELECTRONICS	20DEC2000	ACK	GF

SEE TYCO - DRAWING SIEHE TYCO - ZEICHNUNG	C 1 393 557 - 1
----------------------------------------------	-----------------

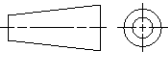

IS EQUIVALENT TO EC-COMPONENT C42334-A368-C5  
ENTSPRICHT EC-KOMPONENTE C42334-A368-C5

2000

RELEASED FOR PUBLICATION

THIS DRAWING IS UNPUBLISHED.

© COPYRIGHT 2000 BY TYCO ELECTRONICS CORPORATION. ALL RIGHTS RESERVED.

<p>DIMENSIONS:</p> <p>mm</p> <p>TOLERANCES UNLESS OTHERWISE SPECIFIED</p> <p>0 PLC ±</p> <p>1 PLC ±</p> <p>2 PLC ±</p> <p>3 PLC ±</p> <p>4 PLC ±</p> <p>ANGLES ±°</p> 	DWN G. ACKERMANN	20DEC2000	MATERIAL	-	FINISH	-	
	CHK M. SCHLEIHAUF	-	 <p>tyco Electronics AMP GmbH D - 67346 Speyer</p>				
	APVD G. FELDMER	-					
	PRODUCT SPEC	-	NAME STRAP BUEGEL				
	APPLICATION SPEC	-	SIZE	CAGE CODE	DRAWING NO	RESTRICTED TO	
WEIGHT	-	A 4	00779	C=1393557-2	-		
CUSTOMER DRAWING				SCALE	1:1	SHEET 1 OF 1	REV A1