



**ANATECH ELECTRONICS INC**  
RF & Microwave Filters & Products

# 4775-5000 MHz Cavity Bandpass Filter

**Part Number: AB4887B1059**



## Electrical specifications

**Passband:** 4775-5000 MHz  
**Passband Insertion Loss:** ≤1.0dB  
**Passband Return Loss:** ≥15dB  
**Rejection1:** ≥90dB @ 4700 MHz  
**Rejection 2:** ≥90dB @ 5075 MHz  
**Power Handling:** 20W(CW)  
**Input / Output Impedance:** 50 Ohms

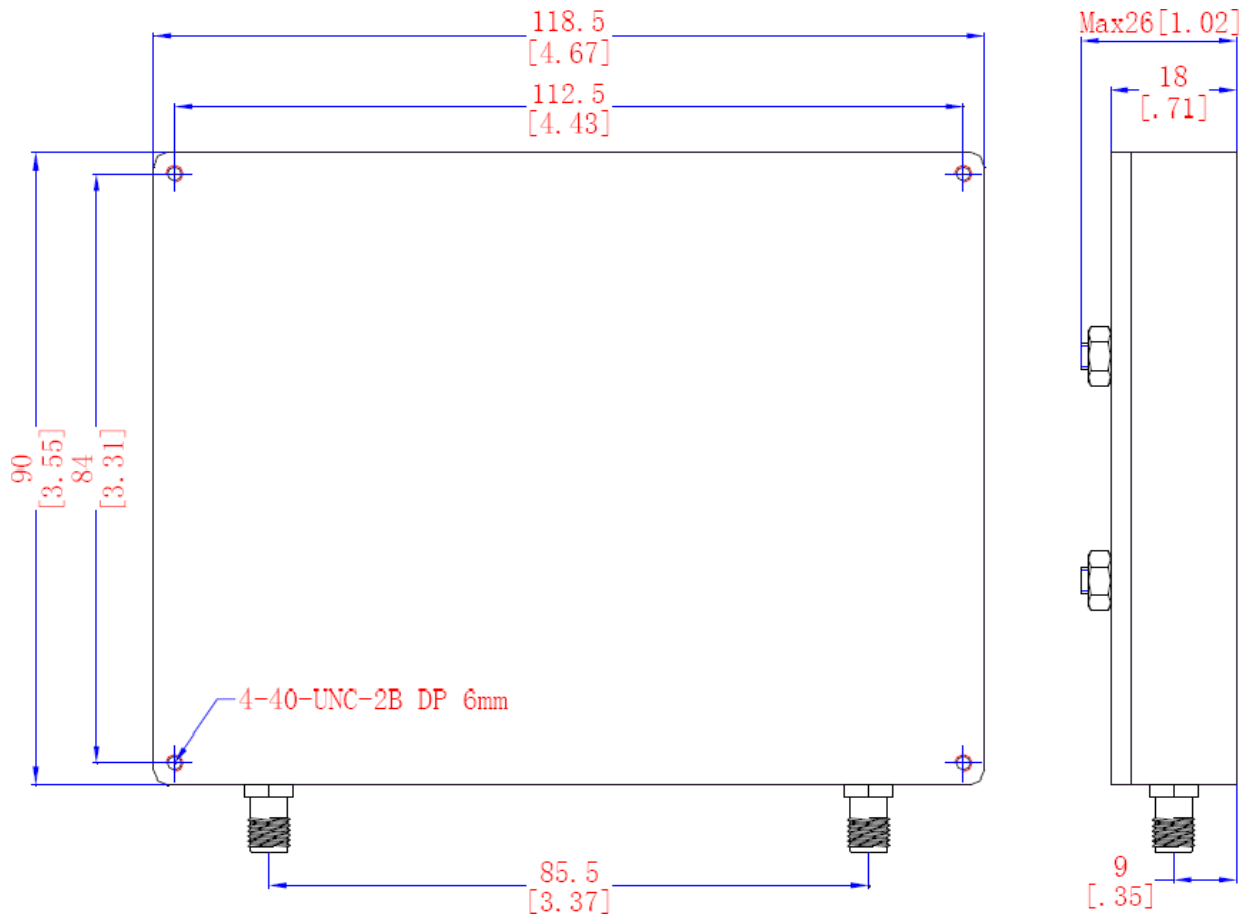
## Mechanical

**Mounting Method:** Threaded Holes  
**Connector Type:** SMA (F)  
**Dimensions:** 4.67 x 3.55 x .71 inches

## Environmental

**Operating Temperature:** 0 to +50 deg. C  
**Storage temperature:** -65 to +95 deg. C  
**Shock:** 20 G's, 1/2 sine, 11ms  
**Vibration:** 10 G's, 10-2000Hz  
**Relative Humidity:** 0-95%

## Outline Drawing:



2 decimal places: +/-0.01 inches [ +/- 0.3mm]  
 3 decimal places: +/- 0.005 inches [ +/- 0.13mm]  
 Angles: +/- 1 Deg.

*When max dimensions are called out the above tolerances do not apply as long as it is under the max call out.*