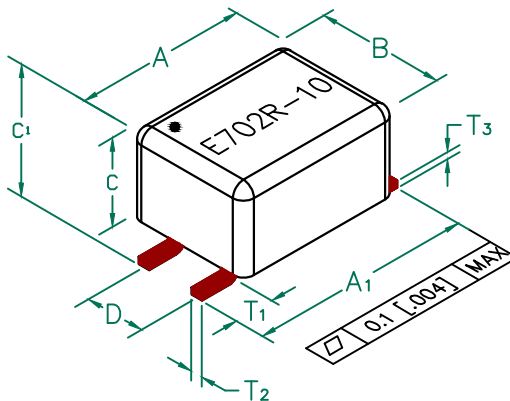


# CM2824E702R-10

## PHYSICAL DIMENSIONS:

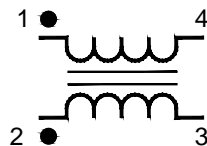
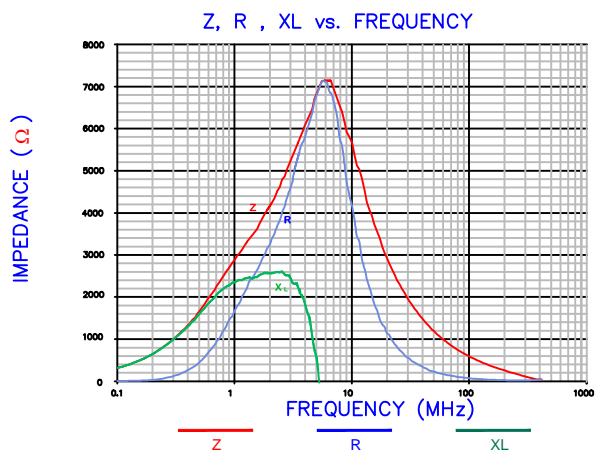
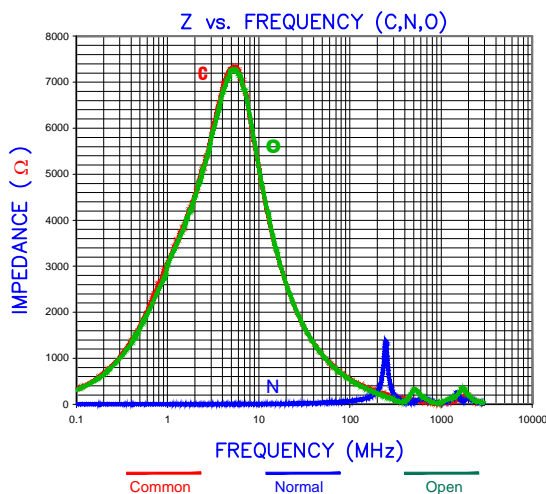
A	7.50	[.295]	+	MAX.
A <sub>1</sub>	9.00	[.354]	+	0.40 [.016]
B	5.50	[.217]	+	MAX.
C	3.80	[.150]	+	MAX.
C <sub>1</sub>	4.90	[.193]	+	MAX
D	2.54	[.100]	+	0.10 [.004]
T <sub>1</sub>	1.75	[.069]	+	TYP.
T <sub>2</sub>	0.50	[.020]	+	0.10 [.004]
T <sub>3</sub>	0.30	[.012]	+	0.10 [.004]

WEIGHT/1000 0.28 kgs [.62 Lbs]



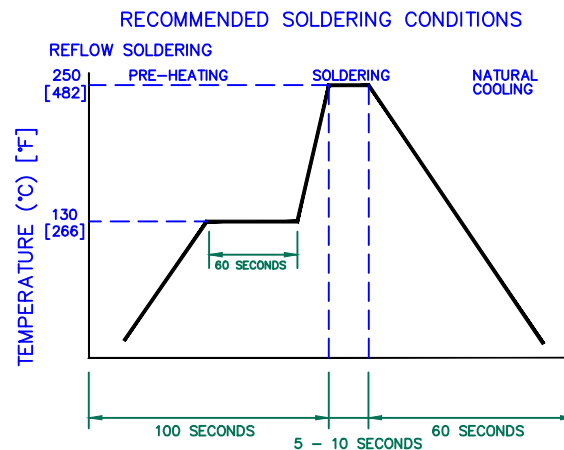
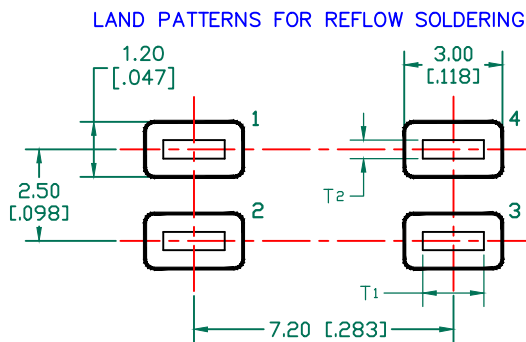
ELECTRICAL SPECIFICATION @ 25°C  
OPERATING TEMPERATURE RANGE: -40°C TO +125°C

PARAMETER SYMBOL	REQUIREMENTS		
	MIN	TYP	MAX
Z SPEC $\Omega$ @ 4 MHz	5,250	7,000	
DCR ( $\Omega$ )			0.26
RATED CURRENT (mA)			700
RATED VOLTAGE (Vdc)			80



NOTES: UNLESS OTHERWISE SPECIFIED

1. TAPED AND REELED ON 13" REELS, 1500 PCS/REEL.
2. OPEN BOTTOM CONSTRUCTION.
3. COMPONENTS SHOULD BE ADEQUATELY PREHEATED BEFORE SOLDERING.



DIMENSIONS ARE IN mm [INCHES].				This print is the property of Laird Tech. and is loaned in confidence subject to return upon request and with the understanding that no copies shall be made without the written consent of Laird Tech. All rights to design or invention are reserved.			
F	CHANGE MARKING	07/18/16	QIU	PROJECT/PART NUMBER: <b>CM2824E702R-10</b>			
E	ADD RATING VOLTAGE	07/25/13	QIU				
D	CHANGE THE OPERATING TEMPERATURE AND REMOVE INPDANCE UPPER SPEC	01/29/10	JUN	REV	PART TYPE:	DRM BY:	
C	UPDATE COMPANY LOGO	05/07/09	JRK	F	ASSEMBLY	JRK	
B	UPDATE COMPANY LOGO	11/21/07	JRK	DATE:	SCALE:	SHEET:	
A	ORIGINAL DRAFT	05/16/06	JRK	05/16/06	NTS		
REV	DESCRIPTION	DATE	INT	GAD #	TOOL #	1 of 1	
				CM2824E702R-10-F	-		