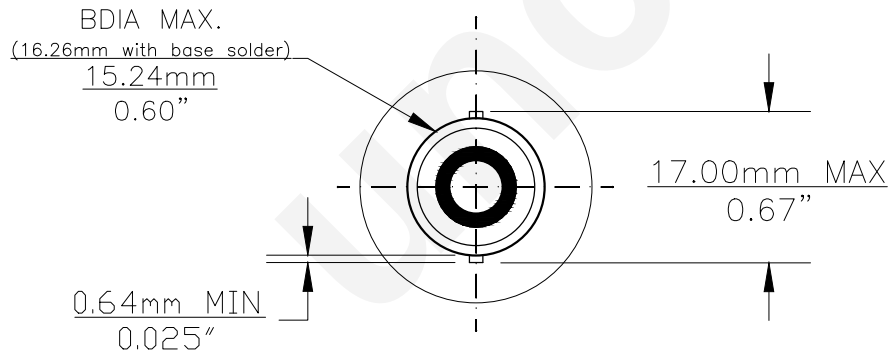
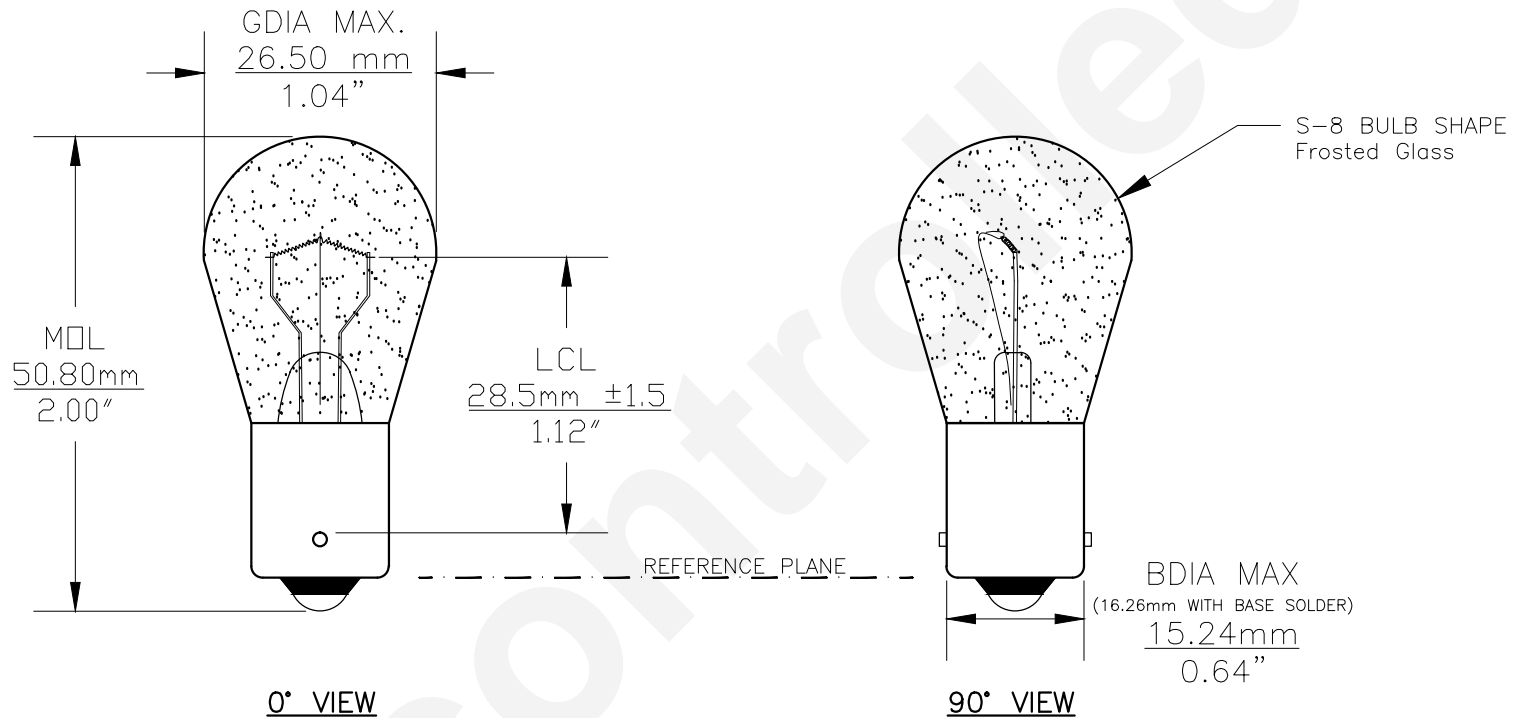




PART NO.	BASE TYPE	DESIGN VOLTS	DESIGN AMPS	MSCD	FILAMENT TYPE	AVERAGE LIFE HOURS	REVISIONS			
							REV #	DESCRIPTION	DATE	APPROVED
3071F	S.C. Bayonet (BA15s)	28.0V	0.67±10%	21±10%	C-2V	300	1	ISSUED	10/22/2014	R.M.



Note: Made according to SAE specifications



UNLESS OTHERWISE SPECIFIED: DIMENSIONS ARE IN INCHES TOLERANCES		CEC INDUSTRIES LTD			
DECIMALS	ANGULAR	599 BOND STREET		LINCOLNSHIRE, IL 60069	
.XX ± .05	± 0.5°	TITLE		LIGHT BULB NO. 3071F (INSIDE FROSTED)	
.XXX ± .010	± 1/64	DATE	10/22/2014	DWG NO.	3071F
FRACTIONAL		CHECKED	ROSE MEDINA	REV	1
DRAWN		SCALE	PLOT SCALE	SHEET 1 OF 1	
MATERIAL		FILE	3071F.pdf	DRAWING NOT TO SCALE	