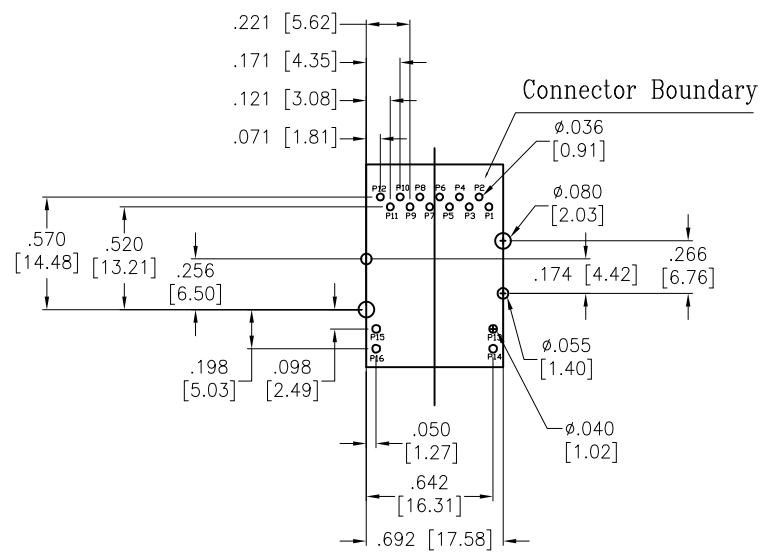
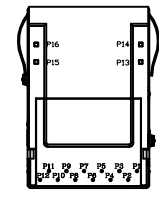
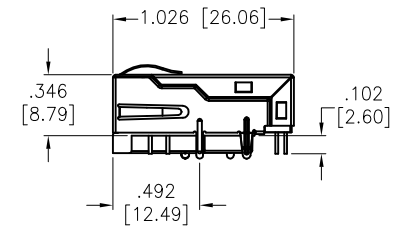
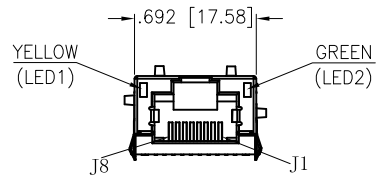


Rev	AWO #	Description	Date	Appr
-		RELEASED	8/20/19	

APPROVED: _____
DATE: _____ TITLE: _____



RECOMMENDED PCB LAYOUT



SPECIFICATIONS:
Material:
Housing: Thermoplastic, rated UL 94V-0, Color: Black
Contacts: Phosphor Bronze
Shield: Brass, Nickel plated
Plating:
Round contact
Gold over Nickel underplate overall
Flat contact
Gold over Nickel underplate on contact area,
Tin over Nickel underplate on solder tails
Electrical:
Voltage rating: 150 VAC
Contact Resistance: 20 mohms max
Insulation resistance: 500 Mohms min
Dielectric withstanding voltage: 2250 VDC minimum for 1 minute
Temperature Rating:
Operating temperature: -40°C to +85°C
Agency Certifications:
UL Recognized
Environmental:
Lead free, RoHS compliant.

UNLESS OTHERWISE SPECIFIED ALL DIMENSIONS ARE INCHES [MM] TOLERANCES: EXCEPT AS NOTED			
INCHES		HOLES	
.X ± .10	Ø.X ± .10		
.XX ± .020	Ø.XX ± .015		
.XXX ± .015	Ø.XXX ± .010		
APPROVALS		DATE	
DRAWN	OW	8/20/19	
CHECKED	IW	8/20/19	
APPROVED			

ADAM TECH INTERCONNECTS 909 Rahway Avenue,
Union, NJ 07083
Phone: 908-687-5000
Fax: 908-687-5710

TITLE			
MODULAR TELEPHONE JACK, 1 PORT, 8P8C, FULL SHIELDED W/ LED1 YELLOW, LED2 GREEN, 5G BASE-T			
SIZE	PART NO.	REV.	
X	MTJ-88BAX1-FS-PG-LG-M383C-WOT	-	
REF:	S00005C	SCALE: NTS	SHEET 1 OF 2

6 5 4 3 2 1

D

D

C

C

B

B

A

A

6 5 4 3 2 1

6

5

4

3

2

1

APPROVED: _____

DATE: _____ TITLE: _____

Rev | AWO # | Description | Date | Appr

SEE SHT 1 OF 2 FOR REVISION

Circuit Schematic:

MD1+ P1
CT1 P3
MD1- P2
MD2+ P4
CT2 P6
MD2- P5
MD3+ P7
CT3 P9
MD3- P8
MD4+ P10
CT4 P12
MD4- P11

1CT:1CT
1CT:1CT
1CT:1CT
1CT:1CT

J1 MX1-
J2 MX1-
J3 MX2-
J6 MX2-
J4 MX3-
J5 MX3-
J7 MX4-
J8 MX4-

4*75OHMS
SHIELD CAP 1000pF

P16
P15
P14
P13

Pin	Green	Yellow
P13	-	P15 -
P14	+	P16 +

Electronical Specifications:

PARAMETER	SPECIFICATIONS		
URNS RATIO	1.00 ± 2%		
POLARITY	PER SCHEMATIC		
INSERTION LOSS	1-50MHz	50-125MHz	125-250MHz
	-0.5 dB MIN	-1.2 dB MIN	-2 dB MIN
RETURN LOSS	1-40 MHz	40-250 MHz	
	-16 dB MIN	-16+10Log10(f/40) 40<f<250 dB	
COMMON MODE REJECTION RATIO	1-40 MHz	40-100 MHz	100-250 MHz
	-30 dB MIN	-28 dB MIN	-26 dB MIN
DIFFERENTIAL MODE TO COMMON MODE ATTENUATION	1-250 MHz		
	-30dB MIN		
INDUCTANCE (OCL)	120uH MIN @100KHZ,0.1V 8mA		
INPUT - OUTPUT ISOLATION	2250 VDC MINIMUM FOR 60 SECONDS		

NOTE: f IS FREQUENCY IN MHz

UNLESS OTHERWISE SPECIFIED
ALL DIMENSIONS ARE INCHES [MM]
TOLERANCES: EXCEPT AS NOTED
INCHES HOLES

.X	± .10	Ø.X	± .10
.XX	± .020	Ø.XX	± .015
.XXX	± .015	Ø.XXX	± .010

ADAM TECH
INTERCONNECTS

909 Rahway Avenue,
Union, NJ 07083
Phone: 908-687-5000
Fax: 908-687-5710

TITLE
MODULAR TELEPHONE JACK, 1 PORT, 8P8C, FULL SHIELDED
W/ LED1 YELLOW, LED2 GREEN, 5G BASE-T

APPROVALS		DATE
DRAWN	OW	8/20/19
CHECKED	IW	8/20/19
APPROVED		

SIZE	PART NO.	REV.
X	MTJ-88BAX1-FS-PG-LG-M383C-WOT	-

REF: S00005C SCALE: NTS SHEET 2 OF 2

6

5

4

3

2

1