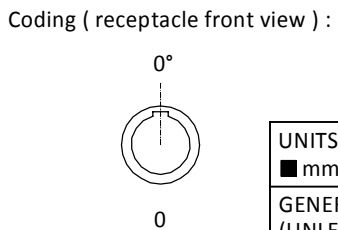
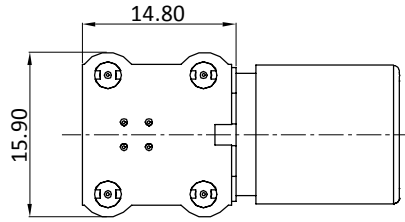
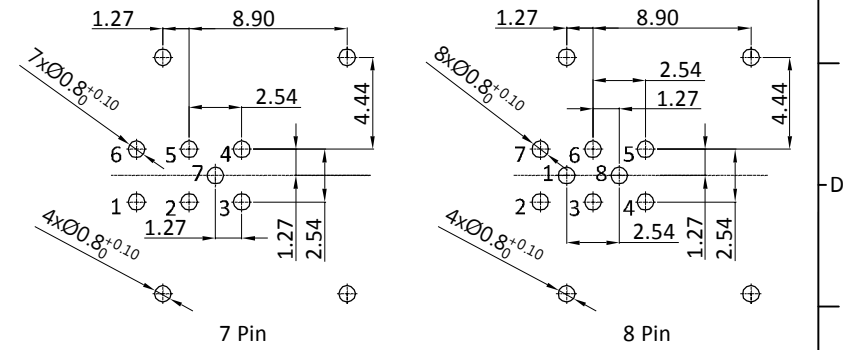
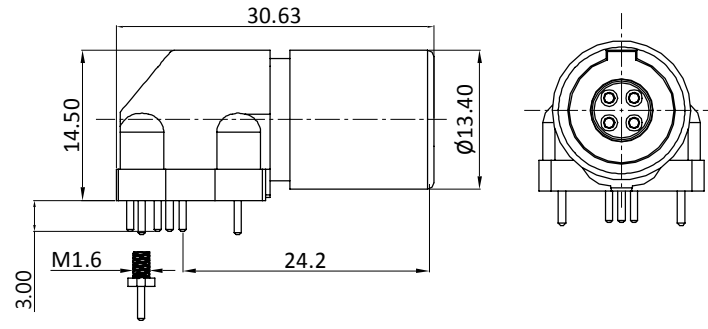


Snap latch assembly P/N description :

	R	M	P	K	X	N	X	X	X	0	X	X	X		
1 Unbonded														12 Logo	
2 Kind	M=Medical													G=No logo	
3 Style	PK=Elbow socket, snap-on fixing													0=Nextron logo	
4 Outer shell material	G=Grey PPSU													11 Number of contacts	
5 Nut	N=Without nut													07=7Pin	
6 Insulator	0=PPSU													08=8Pin	
7 Contact type	L=Female to Dip													10 Keying	
8 Contact plating	1=Gold plated 1u"													0=0°	
	2=Gold plated 20u"													9 Cable collet	
														0=No cable collet	

- Notes:**
- Material
Outer shell : PPSU & PEEK
Contact : Copper alloy
 - Mechanical characteristics
Endurance: 50 mating cycles or 2000 mating cycles (IEC 60512-9-1)
Insertion force: 19.6 N Max (IEC 60512-13-1)
Pull-out force: 19.6 N Max (IEC 60512-13-1)
 - Electrical specifications
Insulation resistance: 1000GΩ (IEC 60512-3-1)
Contact resistance: 6.5mΩ max (IEC 60512-2-1)
Dielectric withstanding: 1.05kV ac rms (IEC 60512-4-1)
Current rating: 5A per pin (IEC 60512-5-1)
 - Characteristics
Temperature range: PPSU shell: -50~+150°C (IEC 60512-6-11 i+j)
Protection index: IP 50 (IEC 60529)
Humidity: 60°C at 95% HR (EIA-364-31)
 - Number of contact: 7&8 position
 - All dimensions are in millimeters.
 - RoHS directive compliance



PCB layout scale (2 : 1)



REV.	DESCRIPTION	DATE
X3	Change Notes	04/02'21
X2	Update DWG	11/20'20
X1	New Release	09/29'20

UNITS: ■ mm □ inch	SIZE A3	NAME: Plastic SnapLatch Elbow socket, Snap-on fixing	nexttron NEXTRONICS ENGINEERING CORP.		
GENERAL TOLERANCE: (UNLESS SPECIFIED)		PART NO: R-MPKGNOXXXXX	TITLE: CUSTOMER DWG.		
4 PLACE	± **	± . **	APPD: Alex梁良駒 2021/04/12	DWG NO: 010-0000-U30	
3 PLACE	± **	± . **	CHKD: Ken張永 2021/04/12	C	
2 PLACE	± 0.30	± . **	DRAW: Ellen孫郁婷 2021/04/06		
1 PLACE	± 0.50	± . **	DESIGN: Michael唐大鈺 2021/04/02	SCALE	SHEET
ANGLES	X° ± **			1/1	1/1
					REV. X3