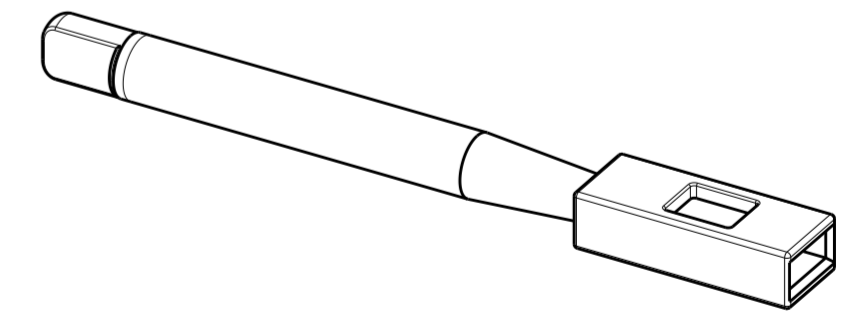
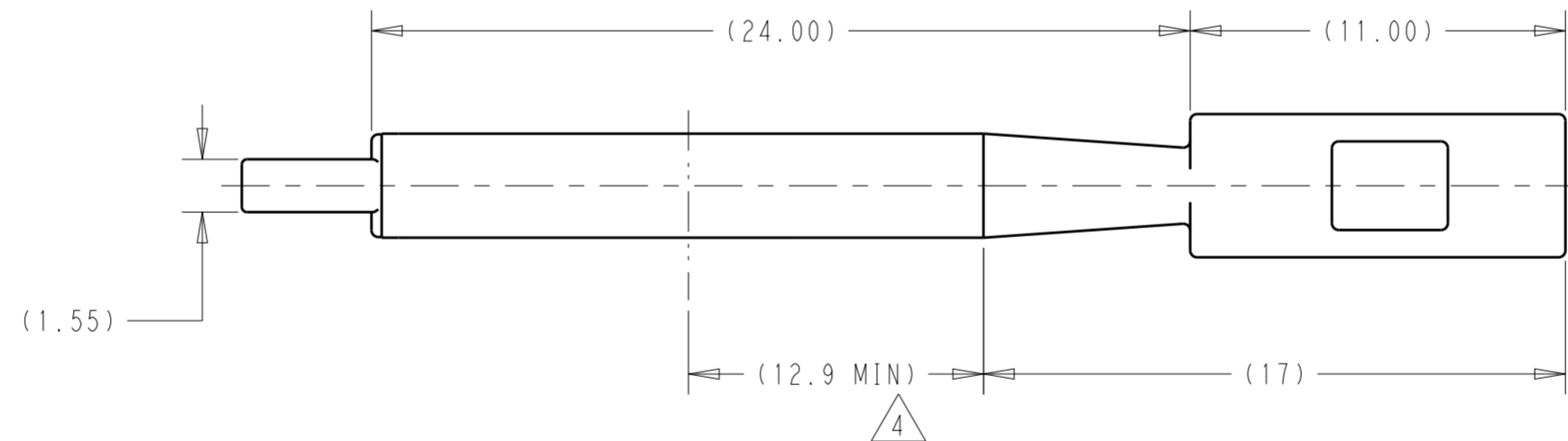
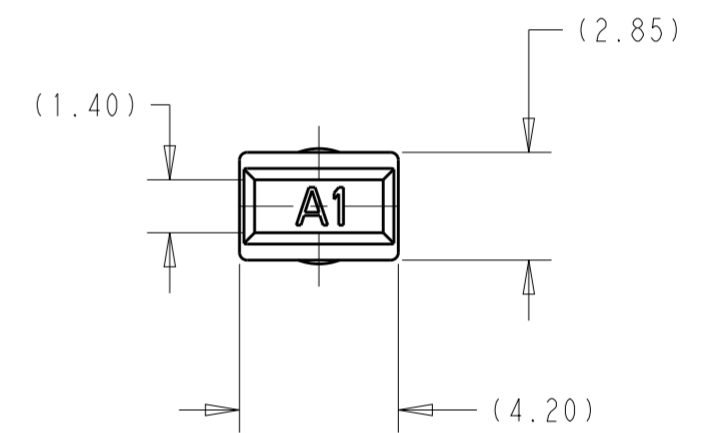
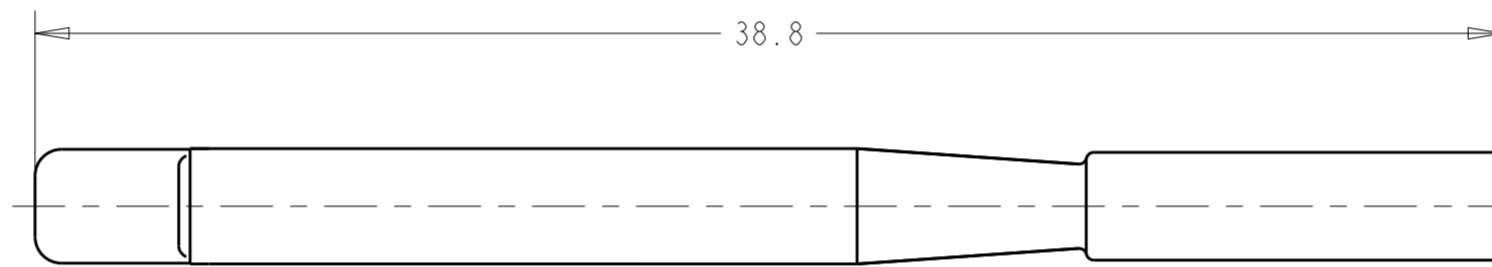
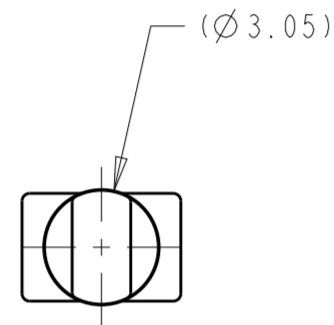


P	LTR	DESCRIPTION	DATE	DWN	APVD
A		REVISED PER ECO-20-017096	04DEC2020	AB	DW

1. PART NUMBER 2378043-1 AS SHOWN ON DRAWING.
2. MATERIAL: PBT, 15% GLASS FILLED.
COLOR: SEE TABLE
3. NOTE DELETED.
4. SEAL SURFACE IN THIS AREA.



ISO VIEW
SCALE 3:1

NATURAL	CAVITY PLUG, MAT SEAL, 2.8 APEX FEMALE	2378043-1
COLOR	DESCRIPTION	PART NO

THIS DRAWING IS A CONTROLLED DOCUMENT.		DWN A. BETGAR 03AUG2020	TE Connectivity	
		CHK D. WISSLER 04AUG2020		
		APVD D. BROWN 05AUG2020	NAME CAVITY PLUG, MAT SEAL, 2.8 APEX FEMALE	
DIMENSIONS:		PRODUCT SPEC	RESTRICTED TO	
mm		APPLICATION SPEC	SIZE	CAGE CODE
TOLERANCES UNLESS OTHERWISE SPECIFIED: 0 PLC ± 1 PLC ±0.4 2 PLC ±0.20 3 PLC ± 4 PLC ± ANGLES ±1° FINISH -		WEIGHT	A2100779	DRAWING NO C-2378043
MATERIAL		CUSTOMER DRAWING	SCALE 5:1	SHEET 1 OF 1