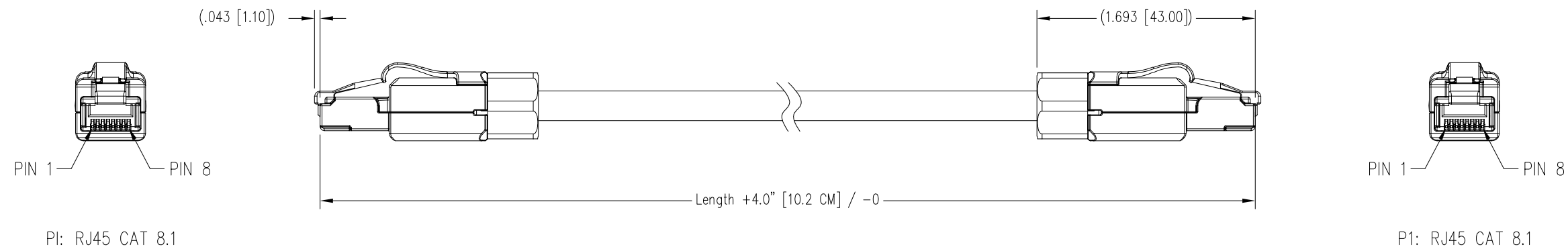


DATE	REV	ECN	APP'D. BY
07/06/20	A0	-	JE



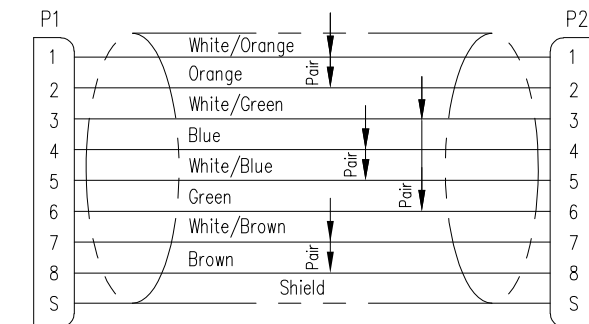
P/N Structure

CA81-xxxU-yy

- 01 = FRNC/LSZH Jacket (ø5.8mm), Grey
- Length Units (See Part Number Reference Table)
 - F = Feet
 - M = Meters
- Length (See Part Number Reference Table)
 - 1 Foot Increments
 - 0.1 Meter Increments
- 81 = RJ45 CAT 8.1 TO RJ45 CAT 8.1
- Cable Assembly Family

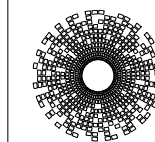
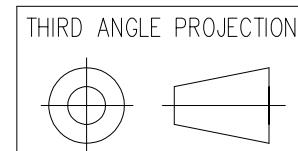
Notes:

- 1) Each cable assembly to be individually bagged.
- 2) Connector Construction:
 - Plastic Housings: Thermoplastic, UL 94 V-0
 - Internal Contacts: Copper Alloy, Tin or Nickel Plating
 - Shield Housings: Zinc Diecast, Tin or Nickel Plating
 - Plug Contacts: Copper Alloy
 - Selective 50µ" Gold plating, Nickel Underplate
- 3) Cable Construction:
 - 4 Pair Flexible, S/FTP, CAT 8.2, Euroclass Dca
 - Stranded bare copper, AWG26
 - PE Primary Wire Insulation
 - Aluminum PETP Foil around each twisted pair
 - Tinned Braided Copper overall screen
 - Jacket Material: See Part Number
- 4) 100% Transmission Tested for CAT 8.1 Channel Performance



Wiring Map

Part Number Reference Table	
LENGTH	Part Number
10 FT	CA81-010F-01
2 M	CA81-020M-01



stewart
CONNECTOR
a bel group

11118 Susquehanna Trail South
Glen Rock, PA 17327-9199
(717) 235-7512
<http://www.stewartconnector.com>

DO NOT SCALE DRAWING
DRAWING IS SUBJECT TO
CHANGE WITHOUT NOTICE

TITLE: RJ45 CAT 8.1 TO CAT 8.1 PATCH CORD ASSEMBLY

DIMENSIONS: INCHES [METRIC]
UNLESS OTHERWISE SPECIFIED
TOLERANCES ARE ±.005 [0.13]
ANGLES ARE ± 1°

THIS DRAWING AND THE SUBJECT MATTER SHOWN THEREON ARE CONFIDENTIAL AND THE PROPRIETARY PROPERTY OF STEWART CONNECTOR AND SHALL NOT BE REPRODUCED, COPIED, OR USED IN ANY MANNER WITHOUT PRIOR WRITTEN CONSENT OF STEWART CONNECTOR. ONE OR MORE U.S. PATENTS MAY APPLY TO THIS PRODUCT. FOR DETAILS, PLEASE VISIT: [HTTP://BELFUSE.COM/STEWART/STEWART_PATENTS/](http://BELFUSE.COM/STEWART/STEWART_PATENTS/)

DRN BY:	ADB	DATE	05/11/20
APPD BY:	JE	DATE	07/06/20
DWG NO.	CTCA81-001	REV.	A0

SHEET NO. 1 OF 1

