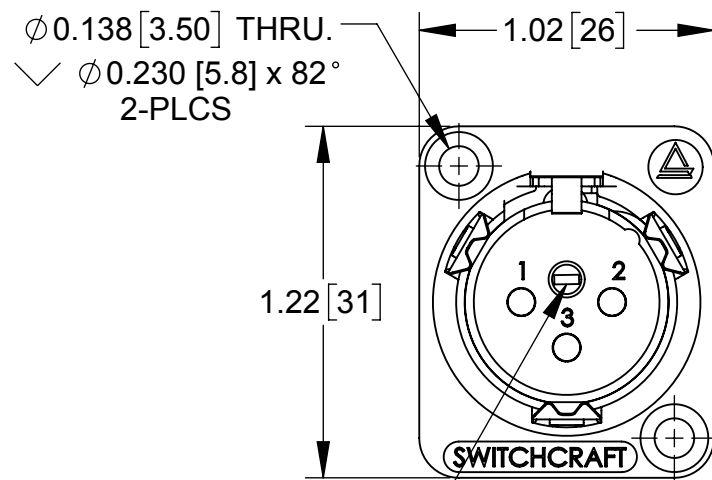
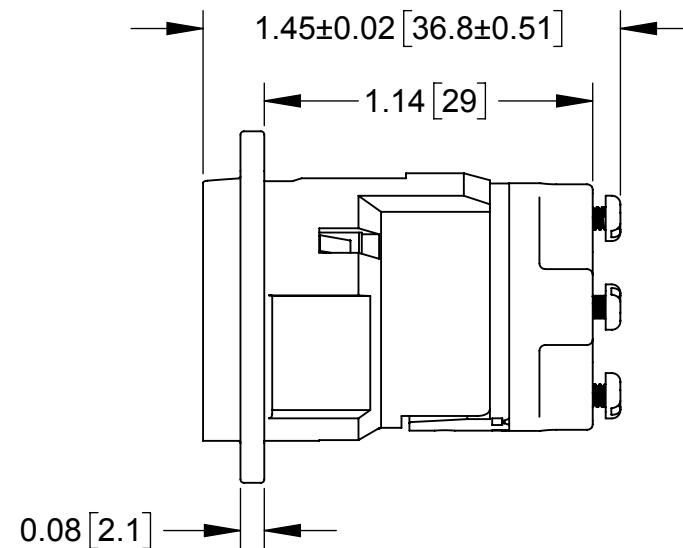


PART NUMBER	CONTACT PLATING	HOUSING FINISH
E3MSW	SILVER	SATIN NICKEL
E3MAUSW	GOLD	SATIN NICKEL
E3MBSW	SILVER	BLACK CHROME WITH CHEMICAL TREATMENT
E3MBAUSW	GOLD	BLACK CHROME WITH CHEMICAL TREATMENT

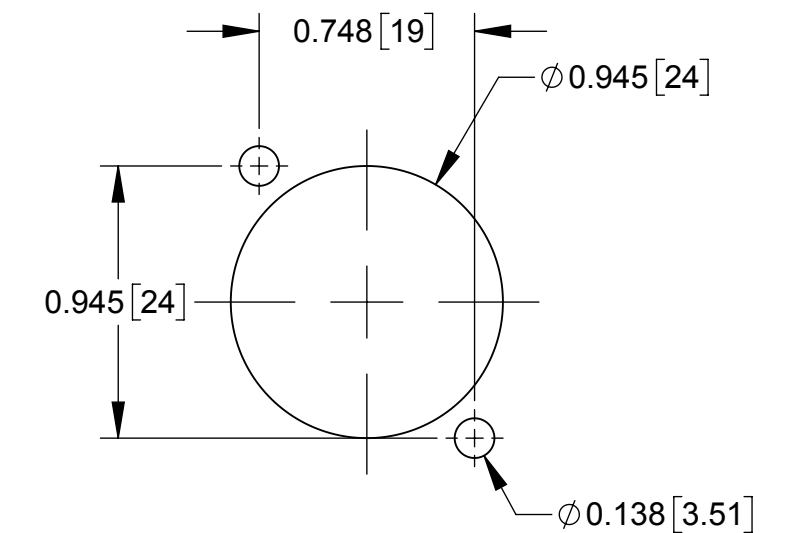
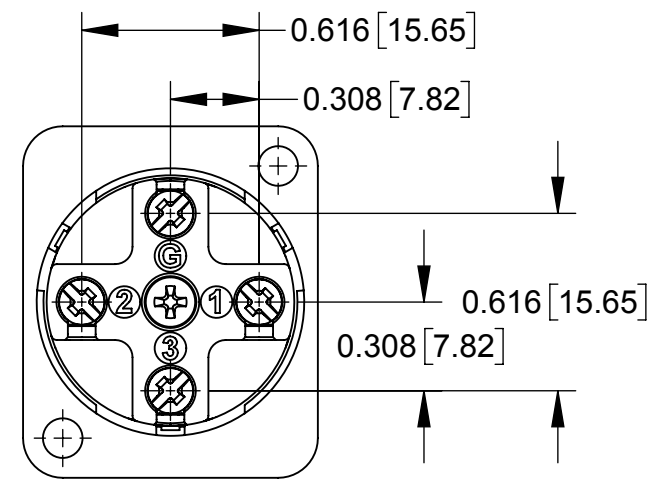
NOTE: ADD SUFFIX "EL" TO ABOVE PART NUMBERS FOR FIXED, NON-REMOVABLE CONNECTOR INSERT VERSION.



FRONT VIEW



REAR (WIRING) VIEW



RECOMMENDED PANEL CUT-OUT

INSERT LOCKING SCREW
SEE NOTE 4

NOTES:

- MATERIAL:**
SHELL - DIE CAST ZINC ALLOY, SATIN NICKEL OR BLACK CHROME FINISH
INSULATOR INSERT, TERMINAL COVER - THERMOPLASTIC
CONTACTS, TERMINAL POST - COPPER ALLOY, SILVER OR GOLD PLATED
INSERT LOCKING CAM - DIE CAST ZINC ALLOY
SCREWS - STAINLESS STEEL
- PLATING SPECIFICATIONS:**
SILVER PLATE: 0.000120" [0.0003mm]
GOLD PLATE: 0.00002" [0.000508mm] GOLD OVER 0.0002" [0.00508mm] NICKEL
- WIRING INSTRUCTIONS:**
TERMINALS ACCEPT 16 TO 26 AWG SOLID OR STRANDED WIRE CONDUCTORS.
RECOMMENDED STRIP & TIN LENGTH: 0.188" [4.8mm] TO 0.218" [5.5mm].
RECOMMENDED SCREW TERMINAL TORQUE: 2 in-lb [0.226 Nm] MAXIMUM.
- CLOCKWISE TURNING OF LOCKING SCREW SECURES INSERT IN HOUSING, COUNTERCLOCKWISE TURNING RELEASES INSERT.
DOES NOT APPLY TO NON-REMOVABLE INSERT VERSION CONNECTORS DENOTED BY SUFFIX "EL" IN THE PART NUMBER.
- THESE PRODUCTS ARE RoHS COMPLIANT.

CUSTOMER DRAWING

REVISIONS					UNLESS OTHERWISE SPECIFIED					THIS DRAWING DESCRIBES A DESIGN CONSIDERED PROPRIETARY IN NATURE, DEVELOPED AND MANUFACTURED BY SWITCHCRAFT INC. AND IS RELEASED ON A CONFIDENTIAL BASIS FOR IDENTIFICATION PURPOSES ONLY.					
0B	ADDED "EL" VERSION	05/04/12	PNK	SRC	1. ALL DIMENSIONS IN INCHES - TWO PLACE DECIMALS ±0.02 - THREE PLACE DECIMALS ±0.005					SIZE	WIDTH	MULT	LBS/M	TEMPER	
0A	PROJECT 08025	02/14/12	PNK	SRC	DO NOT SCALE DRAWING					FINISH		MATERIAL			
REV	ECO NUMBER	DATE	BY	APVD						SPEC No.		SCALE			SPEC No.
										FIRST USED ON		1.5:1			
										DATE DRAWN	BY	CHKD	APVD	Switchcraft®	
										02/14/12	PNK	PNK	SRC		
										NAME		PART No.			
										E3M SERIES, SCREW TERMINALS, RoHS		E3M_SW SERIES			
												REV			
												0B			