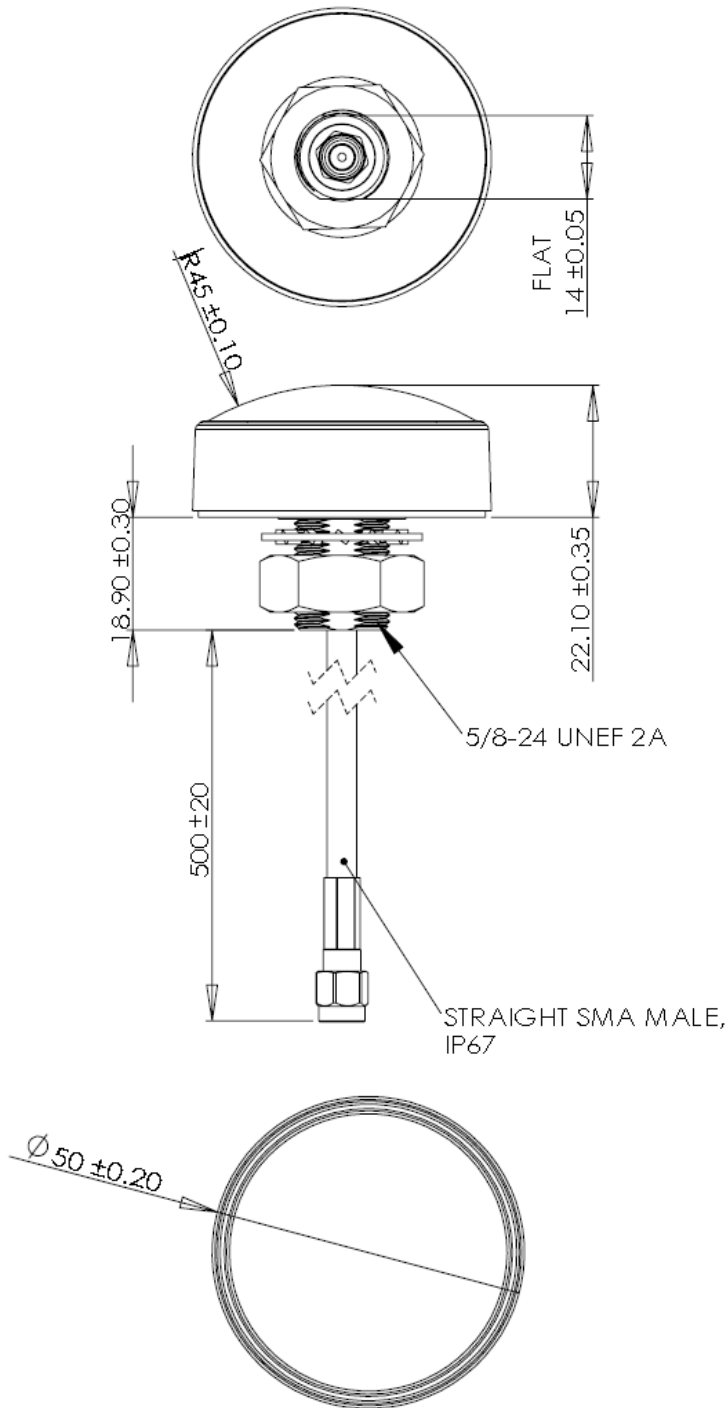


DESCRIPTION

GPS DIRECT MOUNT 1575.42 MHZ

GPSDM26B0500

Series : **ANTENNA**



All dimensions are in mm

Issue: 1618

In the effort to improve our products, we reserve the right to make changes judged to be necessary.

CONFIDENTIAL AND PROPRIETARY INFORMATION

This document contains confidential and proprietary information of Pulse Electronics, Inc. (Pulse) and is protected by copyright, trade secret and other state and federal laws. Its receipt or possession does not convey any rights to reproduce, disclose its contents, or to manufacture, use or sell anything it may describe. Reproduction, disclosure or use without specific written authorization of Pulse is strictly forbidden



DESCRIPTION

GPS DIRECT MOUNT 1575.42 MHZ

GPSDM26B0500

Series : ANTENNA

ELECTRICAL SPECIFICATIONS

Frequency	1575.4±5	GHz
Nominal Impedance	50	Ω
VSWR	2.0:1	Max in band
Gain	4.0 MIN	@ ZENITH
Gain	1.0	dBi @ 10 ° ELEV
Gain (LNA)@3-5V	25	dB±2dB
Radiation Pattern	RCHP	
Out of band attenuation	60 dB min	@1575.5±50 MHz
DC Input voltage	3-5	V
Connector type	Straight SMA Male, IP67	
Cable type	LMR-195	
Length	Refer to drawing	

Issue: 1618

In the effort to improve our products, we reserve the right to make changes judged to be necessary.

CONFIDENTIAL AND PROPRIETARY INFORMATION

This document contains confidential and proprietary information of Pulse Electronics, Inc. (Pulse) and is protected by copyright, trade secret and other state and federal laws. Its receipt or possession does not convey any rights to reproduce, disclose its contents, or to manufacture, use or sell anything it may describe. Reproduction, disclosure or use without specific written authorization of Pulse is strictly forbidden



DESCRIPTION

GPS DIRECT MOUNT 1575.42 MHZ

GPSDM26B0500

Series : **ANTENNA**

MECHANICAL SPECIFICATIONS

Plastic Radome	PC/ABS
Color	Pantone 427C Gray
Ingress Protection	IP67
Weight	130 g
Overall length	541 mm
Cable retention: Pull off	7-35 N
Installation torque	38-42 IN/LBS

ENVIRONMENTAL SPECIFICATIONS

Operating temperature	-40/+85 ° C
Temperature shock	Per EDCS 1180288, Sec 3.3.13.2 Rate 5° C/min
Humidity	Per EDCS 1180288, Sec 3.3.13.3
Operational altitude	Per EDCS 1180288, Sec 3.3.13.4
Non-operational altitude	Per EDCS 1180288, Sec 3.3.13.2
Mechanical shock	Per EDCS 1180288, Sec 3.3.13.6
Mechanical vibration	Per EDCS 1180288, Sec 3.3.13.8
Salt mist	Per EDCS 1180288, Sec 3.3.13.1
Drop test	Uncontrolled 10 times 42.0 inches

Issue: 1618

In the effort to improve our products, we reserve the right to make changes judged to be necessary.

CONFIDENTIAL AND PROPRIETARY INFORMATION

This document contains confidential and proprietary information of Pulse Electronics, Inc. (Pulse) and is protected by copyright, trade secret and other state and federal laws. Its receipt or possession does not convey any rights to reproduce, disclose its contents, or to manufacture, use or sell anything it may describe. Reproduction, disclosure or use without specific written authorization of Pulse is strictly forbidden



DESCRIPTION

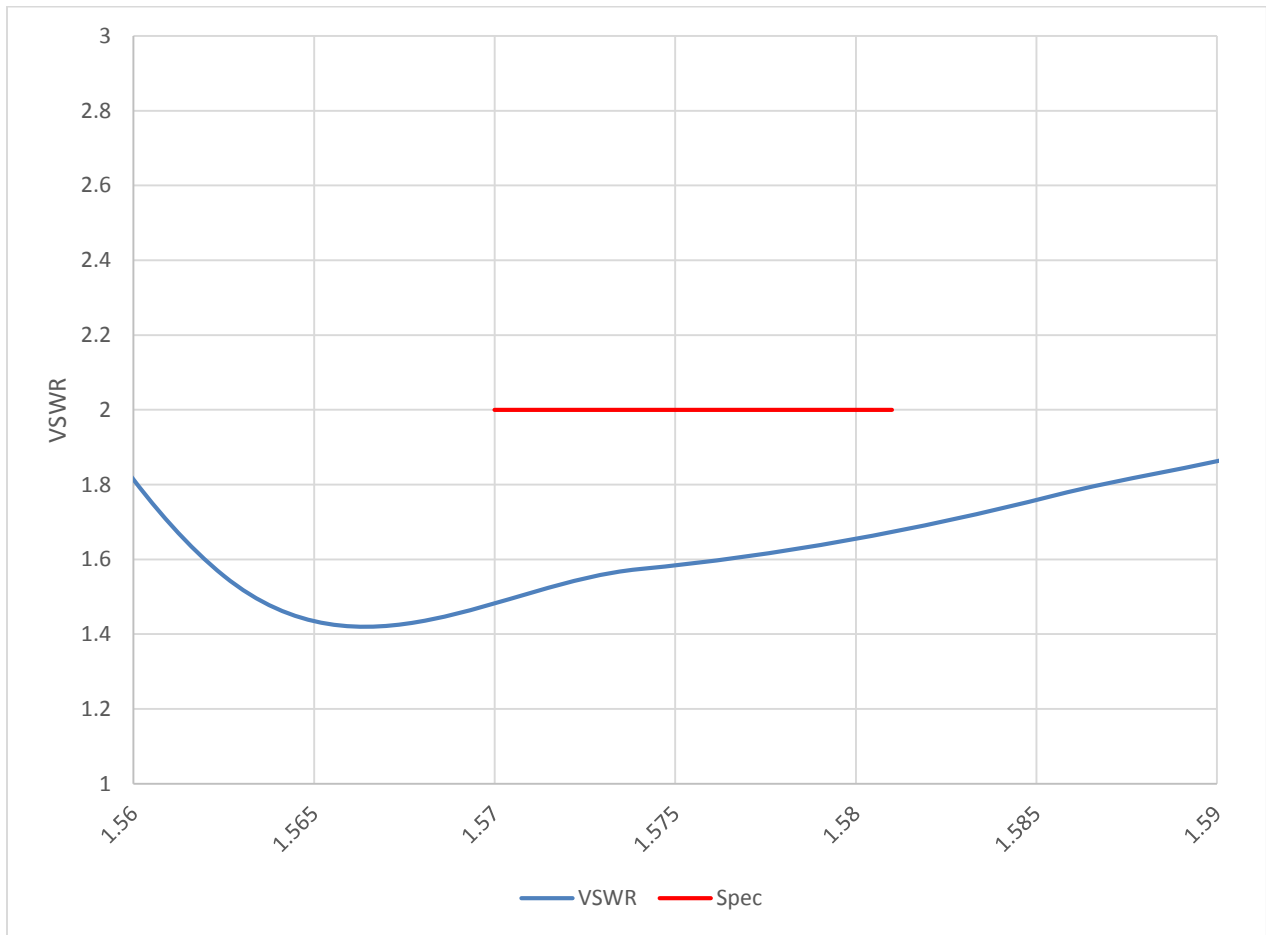
GPS DIRECT MOUNT 1575.42 MHZ

GPSDM26B0500

Series : **ANTENNA**

Charts

VSWR



Issue: 1618

In the effort to improve our products, we reserve the right to make changes judged to be necessary.

CONFIDENTIAL AND PROPRIETARY INFORMATION

This document contains confidential and proprietary information of Pulse Electronics, Inc. (Pulse) and is protected by copyright, trade secret and other state and federal laws. Its receipt or possession does not convey any rights to reproduce, disclose its contents, or to manufacture, use or sell anything it may describe. Reproduction, disclosure or use without specific written authorization of Pulse is strictly forbidden

