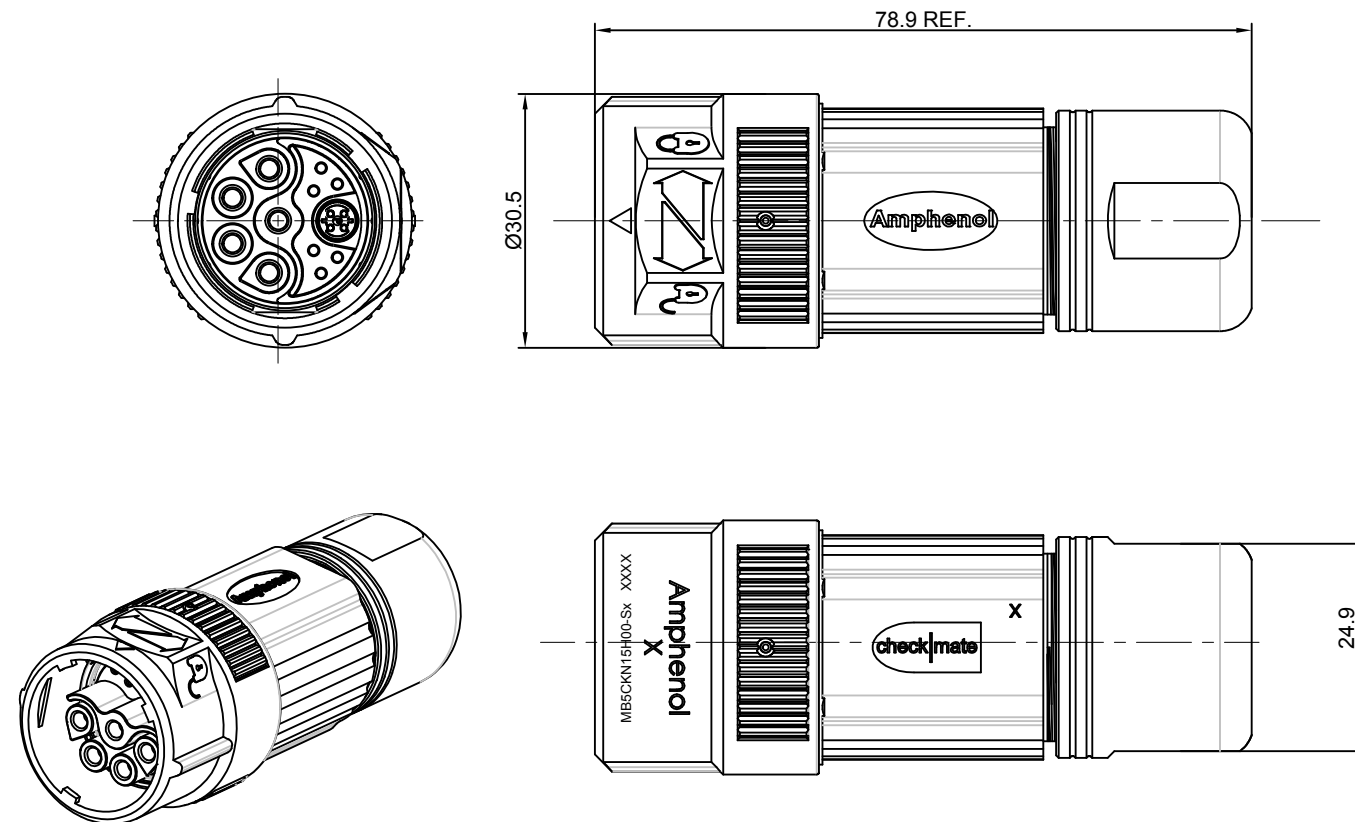


REVISIONS					
REV	ECO	DESCRIPTION	DATE	BY	APPR
A1	-	FIRST RELEASE	Jun.01,2017	Tod	Tommy



NOTES: UNLESS OTHERWISE SPECIFIED

- MATERIAL:
INSULATION INSERT: PA66, UL94 V0
SEAL: VITON, SILICONE, EPDM
HOUSING BODY: ZINC DIE CAST, NICKEL PLATED
COUPLING NUT: ZINC DIE CAST, NICKEL PLATED
- SPECIFICATIONS:
2.1 CURRENT RATING: EARTHNET: 1.2 AMPS
SIGNAL: 1.2 AMPS
POWER: 30AMPS
2.2 VOLTAGE RATING: EARTHNET: 30V AC/DC
SIGNAL: 30V AC/ 50V DC
POWER: 630V AC/ 850V DC
2.3 OPERATING TEMPERATURE: -20°C TO +130°C
2.4 DIELECTRIC WITHSTANDING VOLTAGE: LESS THAN 2
MILLIAMPS CURRENT LEAKAGE @ EARTHNET: 500VOLTS AC.
SIGNAL: 1500VOLTS AC.
POWER: 6000 VOLTS AC.
2.5 DEGREE OF PROTECTION: IP67 (MATED CONDITION)
2.6 DEGREE OF POLLUTION: 3 PER UL840
2.7 OVERVOLTAGE CATEGORY: III PER UL840
2.8 MATING CYCLE DURABILITY: >500 CYCLES
2.9 RoHS COMPLIANT

3. ALL DIMENSIONS ARE FOR REFERENCE USE ONLY.

Item	Part number	Cable OD Range
1	MB5CKN15H00-S1	7.5~11.0 mm
2	MB5CKN15H00-S2	11.0~14.5 mm
3	MB5CKN15H00-S3	14.5~17.0 mm

SEE PART NUMBER CHART		DESCRIPTION	ITEM																		
QUANTITY	PART NUMBER																				
MATERIALS LIST																					
UNLESS OTHERWISE SPECIFIED 1) All dimensions are in metric(mm). 2) Tolerances are as follows: 1 PL DEC ±0.30 Fractions ±1/64 2 PL DEC ±0.15 Angles ±1° 3 PL DEC ±0.08 3) Note reference =		<table border="1"> <thead> <tr> <th colspan="2">SIGNATURES</th> <th>DATE</th> </tr> </thead> <tbody> <tr> <td>DRAWN: Tod</td> <td></td> <td>Jun.01,2017</td> </tr> <tr> <td>CHECKED:</td> <td></td> <td></td> </tr> <tr> <td>ENGINEER:</td> <td></td> <td></td> </tr> <tr> <td>APPROVAL: Tommy</td> <td></td> <td>Jun.02,2017</td> </tr> <tr> <td>CUSTOMER:</td> <td></td> <td></td> </tr> </tbody> </table>		SIGNATURES		DATE	DRAWN: Tod		Jun.01,2017	CHECKED:			ENGINEER:			APPROVAL: Tommy		Jun.02,2017	CUSTOMER:		
SIGNATURES		DATE																			
DRAWN: Tod		Jun.01,2017																			
CHECKED:																					
ENGINEER:																					
APPROVAL: Tommy		Jun.02,2017																			
CUSTOMER:																					
MATERIAL SPECIFICATIONS:		<h1>Amphenol</h1> <p>Sine Systems - www.amphenol-sine.com 44724 Morley Drive Clinton Township, MI 48036</p>																			
PROCESS SPECIFICATIONS:		<p>M23B, PLUG, STR, 15POS, CHECKMATE</p>																			
NEXT ASSY:		<p>THIS DRAWING IS SUPPLIED FOR INFORMATION ONLY. DESIGN FEATURES, SPECIFICATIONS AND PERFORMANCE DATA SHOWN HEREON ARE THE PROPERTY OF THE AMPHENOL CORPORATION. NO RIGHTS OF REPRODUCTION ARE IMPLIED. ALL DIMENSIONS ARE SUBJECT TO NORMAL MANUFACTURING VARIATIONS.</p>																			
SCALE: NONE	SIZE: B C-	DWG NO: MB5CKN15H00-Sx	REVISION: A1																		
		SHEET 1 OF 1																			

TITLE: M23B, PLUG, STR, 15POS, CHECKMATE

DWG NO: MB5CKN15H00-Sx

REV: A1

SH: 1

OF: 1