

Inspired LED's **In-Line Switch** and **Push-Button Dimmer** are convenient accessories which easily combine with Inspired LED lights and plug-in power supplies to create the perfect low-voltage lighting system for any home or business.

In-Line Switch



SKU#: 4775

Push-Button Dimmer



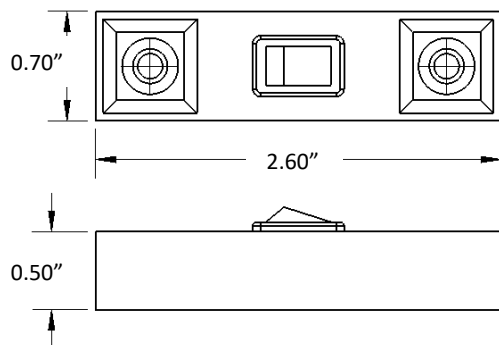
SKU#: 4821

Product Features:

Low profile design
Simple on/off toggle
Adhesive backing and/or screw mount

Specifications:

12VDC input/output
Max Load- 4 AMPs
Net Weight- 10g
3.5 x 1.35 DC Jacks



Instructions:

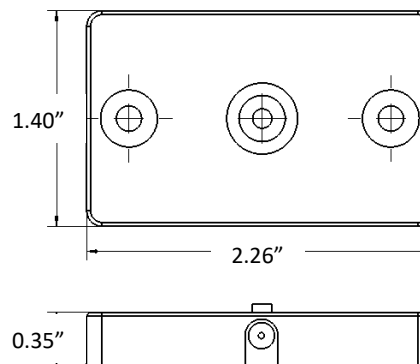
1. Secure LED lights in place according to their instructions
2. Use interconnect cable to wire from the first set of lights to either input jack on switch
3. Connect power supply to other input jack on switch
4. Plug power supply into wall outlet
5. Toggle switch to turn lights on and off

Product Features:

Low profile design
4 levels of brightness
(25%, 50%, 75%, 100%, 0% off)
Adhesive backing and/or screw mount

Specifications:

12VDC input/output
Max Load- 3.75 AMPs
Net Weight- 12g
3.5 x 1.35 DC Jacks
Exceeds IEEE 1789 std for PWM dimming



Instructions:

1. Secure LED lights in place according to their instructions
2. Use interconnect cable to wire from the first set of lights to the dimmer side marked LED
3. Connect power supply to side of the dimmer marked POWER
4. Plug power supply into wall outlet
5. Push button at center to rotate through levels of brightness

