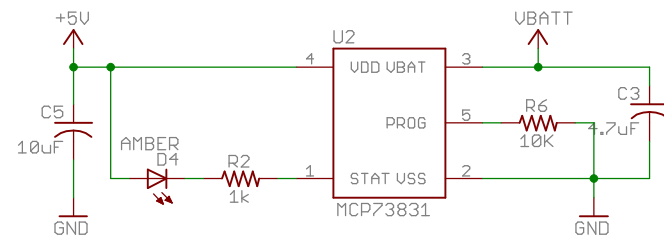
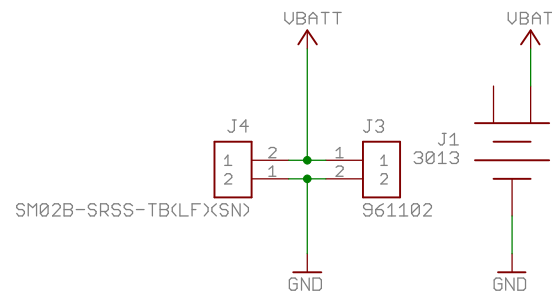


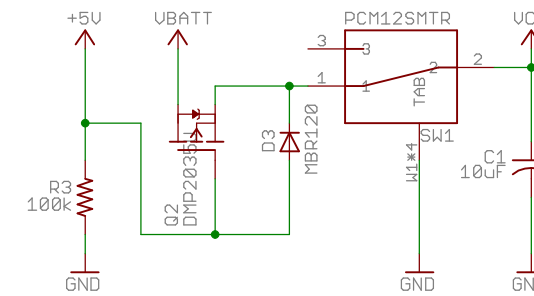
Lithium Battery Charger



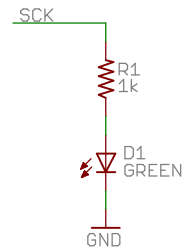
Battery Connections



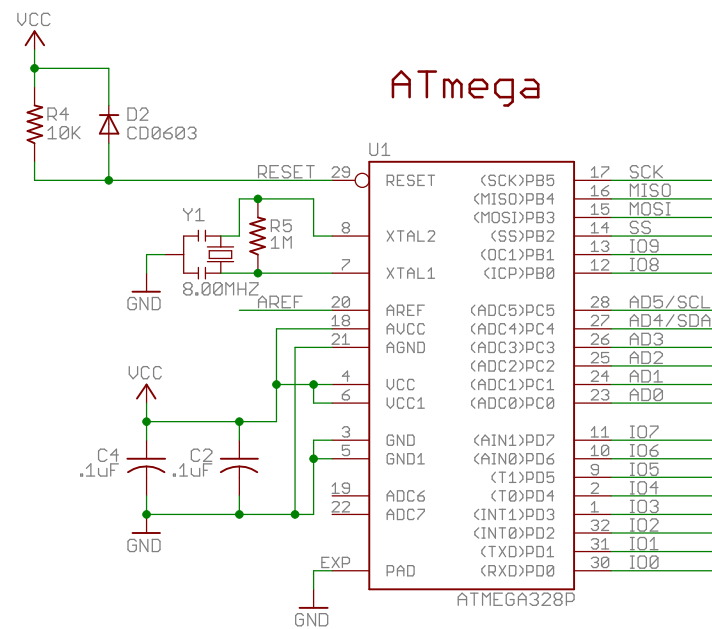
Power



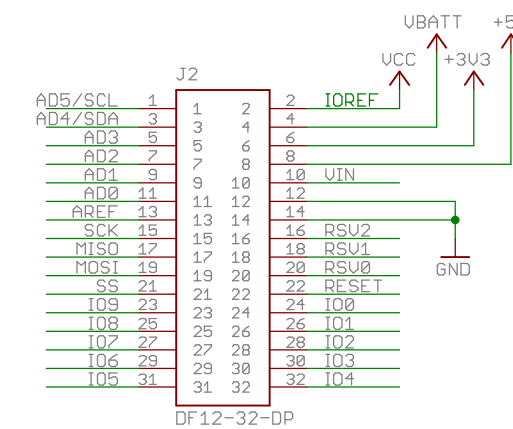
LED



ATmega



TinyShield Expansion - Top



Released under the Creative Commons Attribution Share-Alike 3.0 License
<http://creativecommons.org/licenses/by-sa/3.0>

Original Arduino Uno Design by Team Arduino
 LilyPad Arduino Design by Leah Buechley and Sparkfun Electronics
 TinyDuino, TinyLily and TinyShield Designs by TinyCircuits

		http://www.TinyCircuits.com	
TITLE: TinyDuino - 20mm			
Document Number: AS-SCH-ASM2001			REV: 9
Date: 2/13/2016 7:00:06 PM			Sheet: 1/1