

## GENERAL DESCRIPTION

The MDSGN-750ELMV is an internally matched, COMMON SOURCE, class AB, GaN on SiC HEMT transistor capable of providing over 18.5 dB gain, 750 Watts of pulsed RF output power at ELM pulse format across the 1030 to 1090 MHz band. The transistor has internal pre-match for optimal performance. This hermetically sealed transistor is specifically designed for Mode-S ELM Avionics applications. It utilizes gold metallization and eutectic attach to provide highest reliability and superior ruggedness.

## ABSOLUTE MAXIMUM RATINGS

### Maximum Power Dissipation

Device Dissipation @ 25°C 1375 W

### Maximum Voltage and Current

Drain-Source Voltage ( $V_{DSS}$ ) 150 V

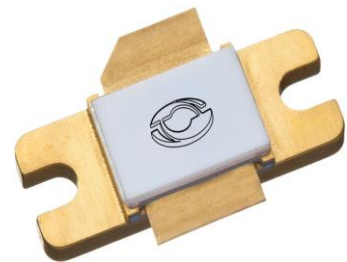
Gate-Source Voltage ( $V_{GS}$ ) -8 to +0 V

### Maximum Temperatures

Storage Temperature ( $T_{STG}$ ) -55 to +125° C

Operating Junction Temperature +250° C

## CASE OUTLINE 55-KR Common Source



## ELECTRICAL CHARACTERISTICS @ 25°C

Symbol	Characteristics	Test Conditions	Min	Typ	Max	Units
Pout	Output Power	Pout=750W, Freq=1030,1090 MHz	750	800		W
Gp	Power Gain	Pout=750W, Freq=1030,1090 MHz	18.5	19.1		dB
$\eta_d$	Drain Efficiency	Pout=750W, Freq=1030,1090 MHz	60	70		%
Dr	Droop	Pout=750W, Freq=1030,1090 MHz			1.2	dB
VSWR-T	Load Mismatch Tolerance	Pout=750W, Freq= 1030MHz			3:1	
$\Theta_{jc}$	Thermal Resistance	ELM Pulse Format			0.23	°C/W

- Mode-S ELM pulse format – 32us (on) / 18us (off) x 48, Period = 24ms, LTDF=6.4%
- Data taken at pulse #1
- Bias Condition: Vdd=+50V, Idq=100mA average current (Vgs= -2.0 ~ -4.5V typical)

## FUNCTIONAL CHARACTERISTICS @ 25°C

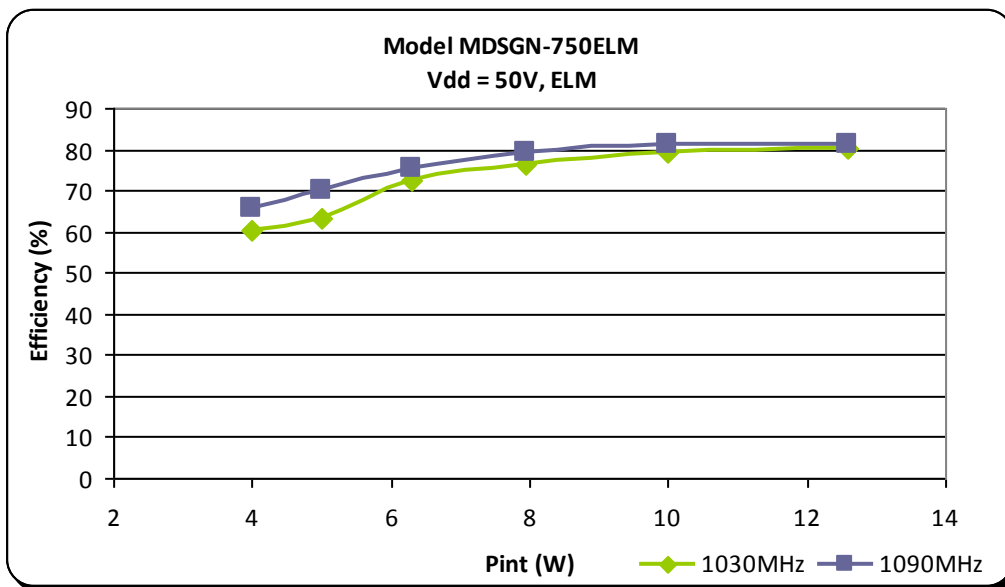
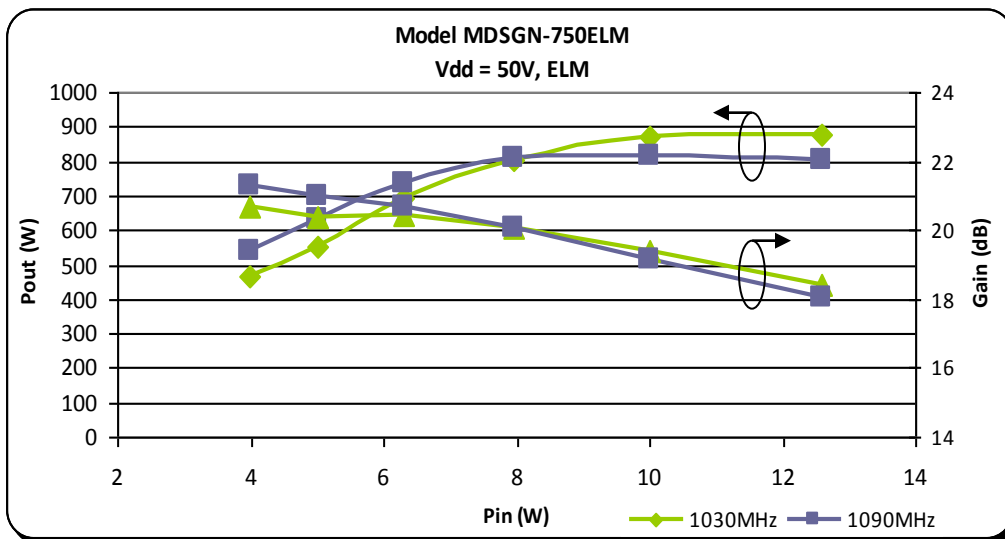
$I_{D(Off)}$	Drain leakage current	$V_{gs} = -8V, V_D = 150V$			64	mA
$I_{G(Off)}$	Gate leakage current	$V_{gs} = -8V, V_D = 0V$			20	mA
$BV_{DSS}$	Drain-source breakdown voltage	$V_{gs} = -8V, I_D = 64mA$	150			V

# MDSGN-750ELMV

750 Watts - 50 Volts, ELM  
L-Band Avionics 1030 - 1090 MHz

## TYPICAL BROAD BAND PERFORMANCE DATA

Frequency	Pin (W)	Pout (W)	Id (A)	RL (dB)	Nd (%)	G (dB)	Drop (dB)
1030 MHz	10	850	1.41	-8	70	19.4	1.1
1090 MHz	10	815	1.29	-11	70	19.1	1.0



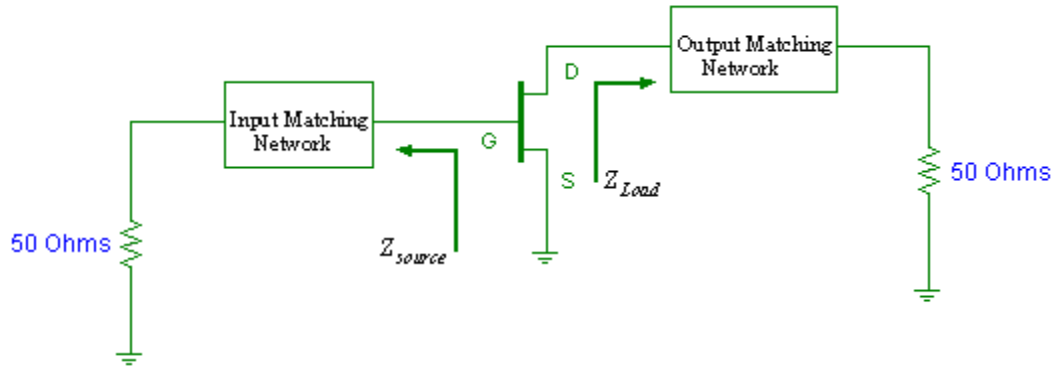
---

# ***MDSGN-750ELMV***

750 Watts - 50 Volts, ELM  
L-Band Avionics 1030 - 1090 MHz

---

## **Transistor Impedance Information**



Note:  $Z_{Source}$  is looking into the input circuit;  
 $Z_{Load}$  is looking into the output circuit.

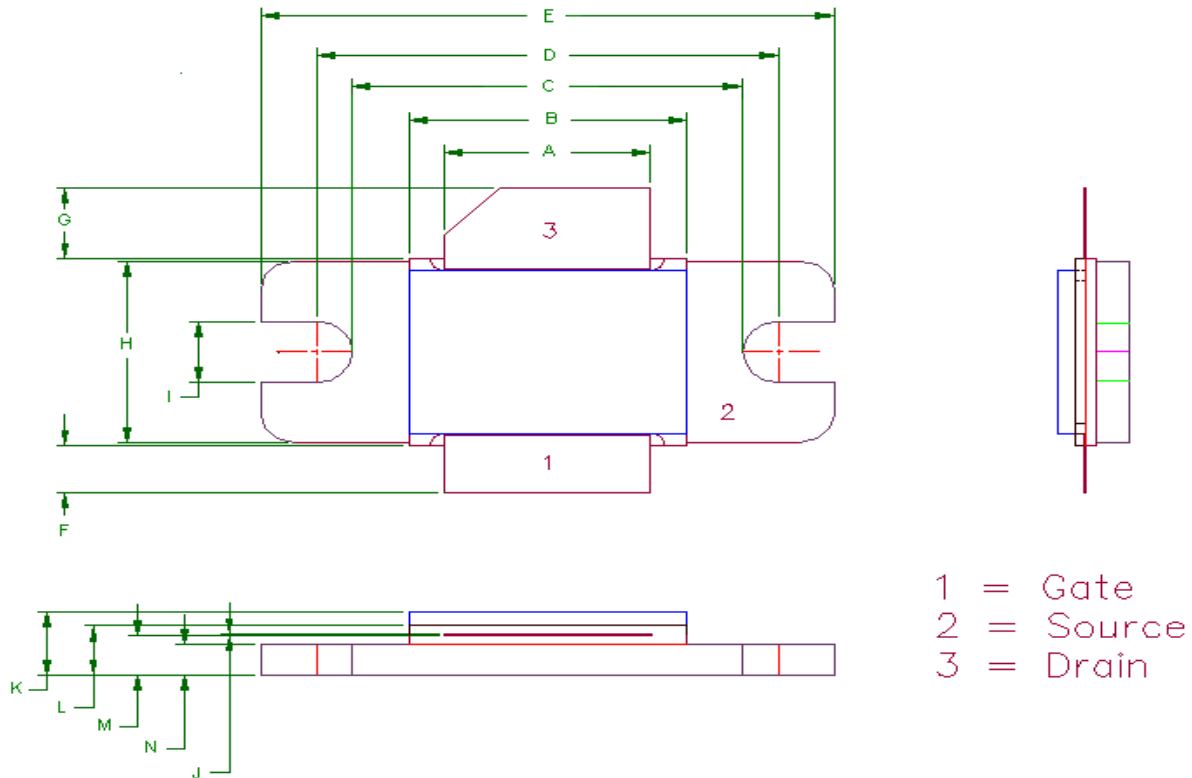
## **Test Circuit Diagram**

Please contact our representative for the test circuit

# MDSGN-750ELMV

750 Watts - 50 Volts, ELM  
L-Band Avionics 1030 - 1090 MHz

## 55-KR PACKAGE DIMENSION



Dimension	Min (mil)	Min (mm)	Max (mil)	Max (mm)
A	370	9.40	372	9.44
B	498	12.65	500	12.7
C	700	17.78	702	17.83
D	830	21.08	832	21.13
E	1030	26.16	1032	26.21
F	101	2.56	102	2.59
G	151	3.84	152	3.86
H	385	9.78	387	9.83
I	130	3.30	132	3.35
J	003	.076	004	0.10
K	135	3.43	137	3.48
L	105	2.67	107	2.72
M	085	2.16	86	2.18
N	065	1.65	66	1.68



---

# MDSGN-750ELMV

750 Watts - 50 Volts, ELM  
L-Band Avionics 1030 - 1090 MHz

---

*The information contained in the document is PROPRIETARY AND CONFIDENTIAL information of Microsemi and cannot be copied, published, uploaded, posted, transmitted, distributed or disclosed or used without the express duly signed written consent of Microsemi. If the recipient of this document has entered into a disclosure agreement with Microsemi, then the terms of such Agreement will also apply. This document and the information contained herein may not be modified, by any person other than authorized personnel of Microsemi. No license under any patent, copyright, trade secret or other intellectual property right is granted to or conferred upon you by disclosure or delivery of the information, either expressly, by implication, inducement, estoppels or otherwise. Any license under such intellectual property rights must be approved by Microsemi in writing signed by an officer of Microsemi.*

*Microsemi reserves the right to change the configuration, functionality and performance of its products at anytime without any notice. This product has been subject to limited testing and should not be used in conjunction with life-support or other mission-critical equipment or applications. Microsemi assumes no liability whatsoever, and Microsemi disclaims any express or implied warranty, relating to sale and/or use of Microsemi products including liability or warranties relating to fitness for a particular purpose, merchantability, or infringement of any patent, copyright or other intellectual property right. The product is subject to other terms and conditions which can be located on the Web at <http://www.microsemi.com/legal/tnc.asp>.*

#### Revision History

Revision Level / Date	Para. Affected	Description
01/ July 2013	-	Initial Release

For the most current data, consult MICROSEMI's website: [www.MICROSEMI.com](http://www.MICROSEMI.com)  
Specifications are subject to change, consult the RFIS factory at [\(408\) 986-8031](tel:408-986-8031) for the latest information