

6

5

4

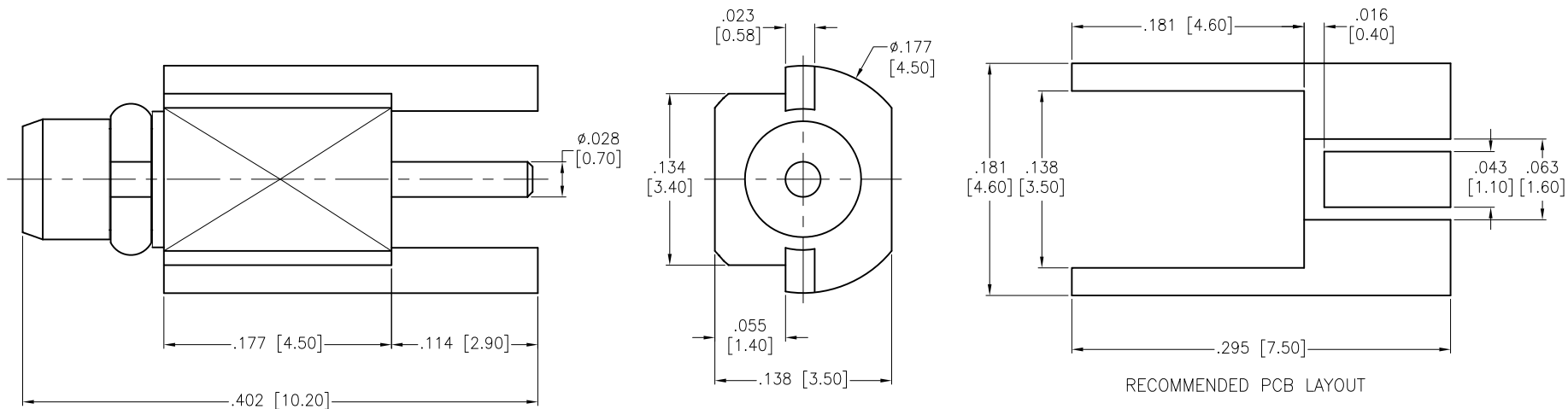
3

2

1

APPROVED: \_\_\_\_\_  
DATE: \_\_\_\_\_ TITLE: \_\_\_\_\_

Rev	AWO #	Description	Date	Appr
-		RELEASED	5/13/19	



RING	BE CU	GOLD
CONTACT PIN	BRASS	GOLD
INSULATOR	PTFE	WHITE
BODY	BRASS	GOLD
DESCRIPTION	MATERIAL	FINISH

**SPECIFICATIONS:**

Electrical:  
 Nominal Impedance: 50 ohms  
 Frequency range: 0-6 GHz  
 Working Voltage: 170 VOLTS Max  
 Proof Voltage: 500 VOLTS  
 Temperature Rating:  
 Operating temperature: -55°C to +155°C  
 Environmental:  
 Lead free, RoHS compliant.



UNLESS OTHERWISE SPECIFIED ALL DIMENSIONS ARE INCHES [MM] TOLERANCES: EXCEPT AS NOTED		<b>ADAM TECH</b> 909 Rahway Avenue, Union, NJ 07083 Phone: 908-687-5000 Fax: 908-687-5710	
INCHES		<b>INTERCONNECTS</b>	
.X ± .10	∅.X ± .10	TITLE RF CONNECTOR, TYPE MMCX STR. 50 OHM, EDGE MOUNT, PLUG	
.XX ± .020	∅.XX ± .015		
.XXX ± .015	∅.XXX ± .010		
APPROVALS		DATE	
DRAWN	AY	5/13/19	
CHECKED	NL	5/13/19	
APPROVED			
SIZE X	PART NO. RF12-35-T-00-50-G	REF: S00277T	SCALE: NTS
REV. -		SHEET 1 OF 1	

6

5

4

3

2

1