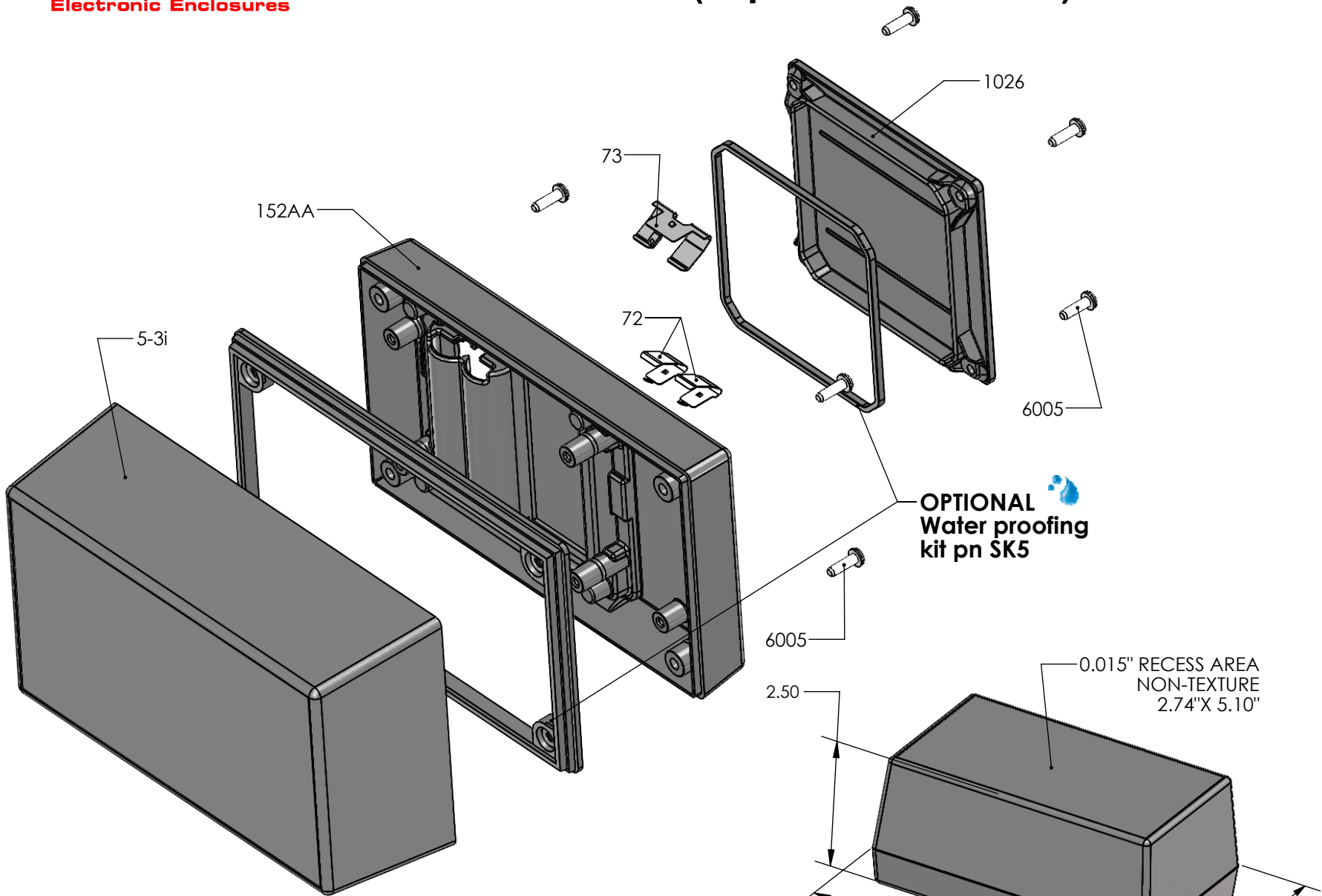


SERPAC 153i2AA (exploded isometric)

Electronic Enclosures



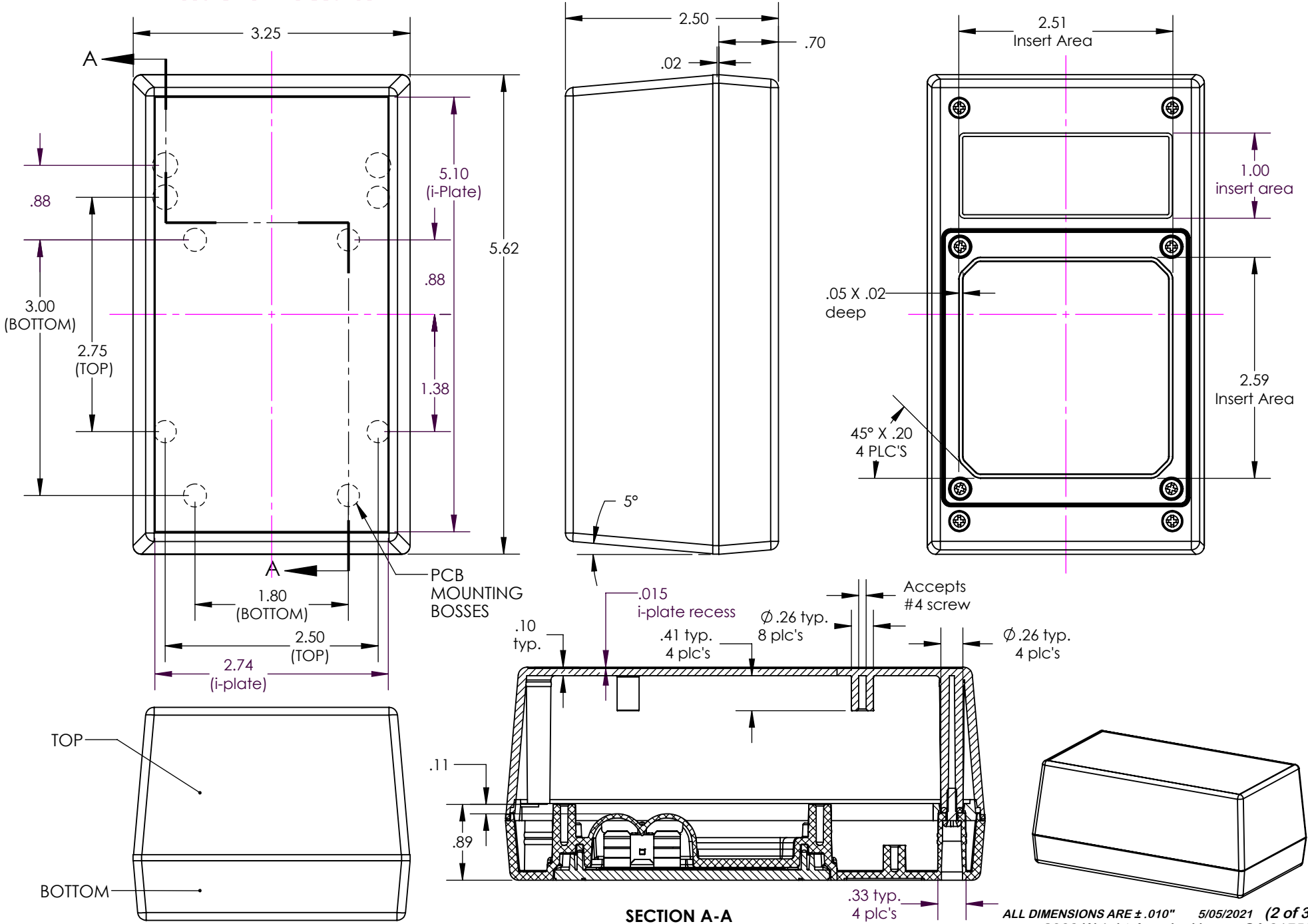
OPTIONAL
Water proofing
kit pn SK5

| PART NO. | DESCRIPTION (Included) | ACCESSORIES (Optional) | |
|----------|--------------------------------|------------------------|------------------|
| 5-3i | Top | PART NO. | DESCRIPTION |
| 152AA | 2AA Bottom | 50 | Non-skid Feet |
| 1026 | Access Door | SK5 | Seal Kit for 15X |
| 6005 | #4X3/8" Self-Tapping Screw (8) | | |
| | | | |

Notes: Enclosure weight .37 lb / 168 g
 1) Enclosure meets or exceeds IP40 and NEMA 1
 2) When used with SK5 the enclosure meets or exceeds IP 67 and NEMA 4X, 12 and 13 MIL-STD-810G 506.5 (.02 lb / 11g)
 3) Circuit Board drawings see sheet 3.
 4) All components are RoHS Compliant.

SERPAC 153i2AA

Electronic Enclosures



SECTION A-A

ALL DIMENSIONS ARE ± .010" 5/05/2021 (2 of 3)

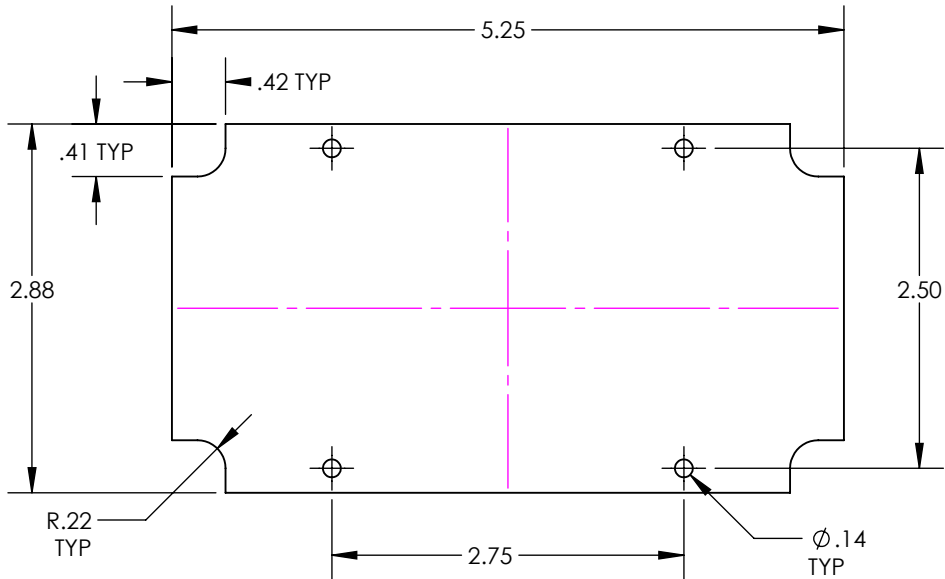
2009 Wright Ave. La Verne, CA 91750

Ph. (626) 331-0517 Fx. (626) 331-8584 www.serpac.com

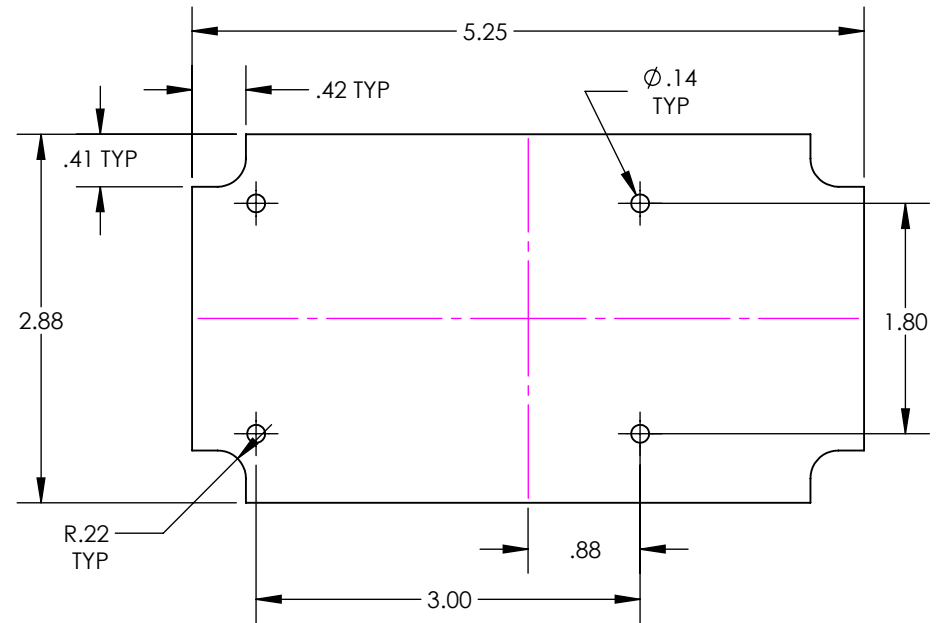
SERPAC PCB for 15X compartment enclosures

Electronic Enclosures

CIRCUIT BOARD FOR TOP



CIRCUIT BOARD FOR BOTTOM



SMALL CIRCUIT BOARD FOR BOTTOM

