

# Type BLC-09-GT Fuse Block ANE / ANF Limiter Fuses



www.optifuse.com

(619) 593-5050

### Specifications:

- Voltage Rating:** 125VAC, 80 VDC
- Max Current Rating:** 500A
- Fuse Type:** ANE / ANF Limiter Fuse
- Insulation Resistance @ 500V DC:** 100MΩ Min.
- Base:** Polyester Impact/Electrical - Black with Mineral and Glass Fiber Added.
- ULR Certification number** E40654
- Terminals:** Low Carbon Steel, Zinc Finish

### Hardware:

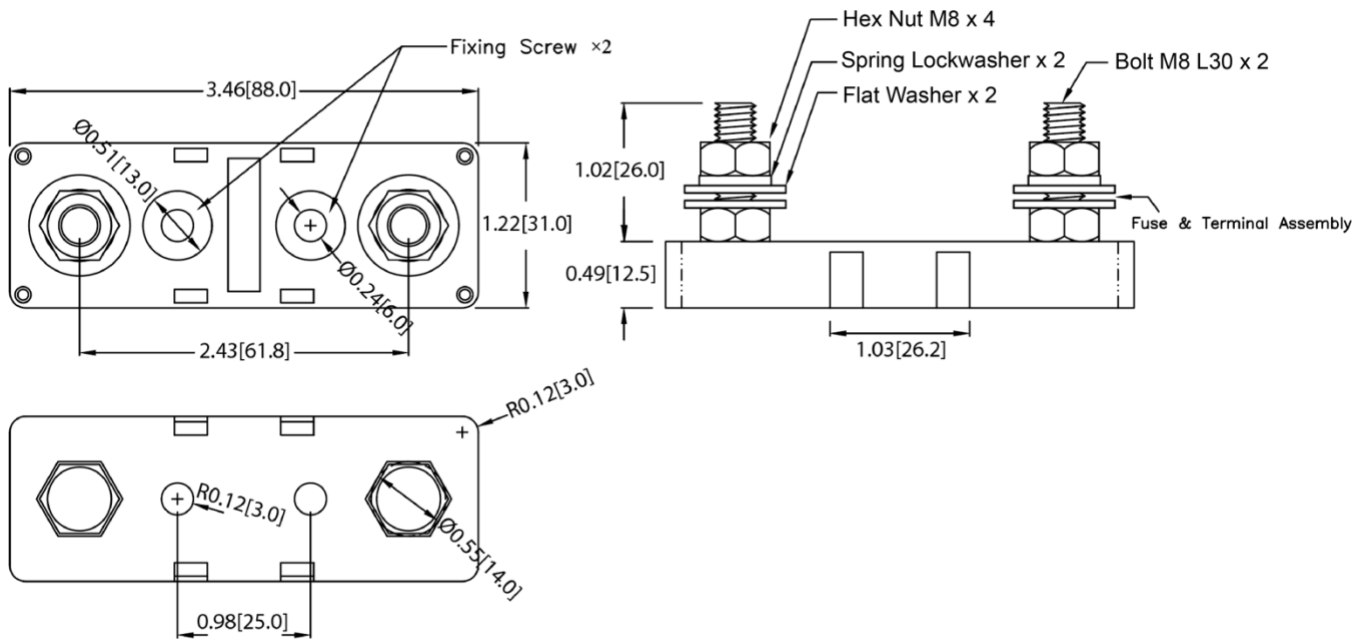
- Hex Nut: M8 x 4
- Spring Lockwasher x 2
- Flat Washer x 2
- Bolt: M8 L30 x 2

### Tightening Torques Stainless & ASTM Steels is metric thread:

- Bolt M8, Pitch: 1.25
- M8 nut 8.5Nm max
- Fixing screw 8.5Nm max

**For Cover:** See BLC-09-GTC

### Mechanical Dimensions: Inches [mm]



### Warning:



- Operation beyond the specified maximum ratings or improper use may result in damage and possible electrical arcing and/or flame.
- Avoid contact of device with chemical solvent. Prolonged contact may damage the device performance.