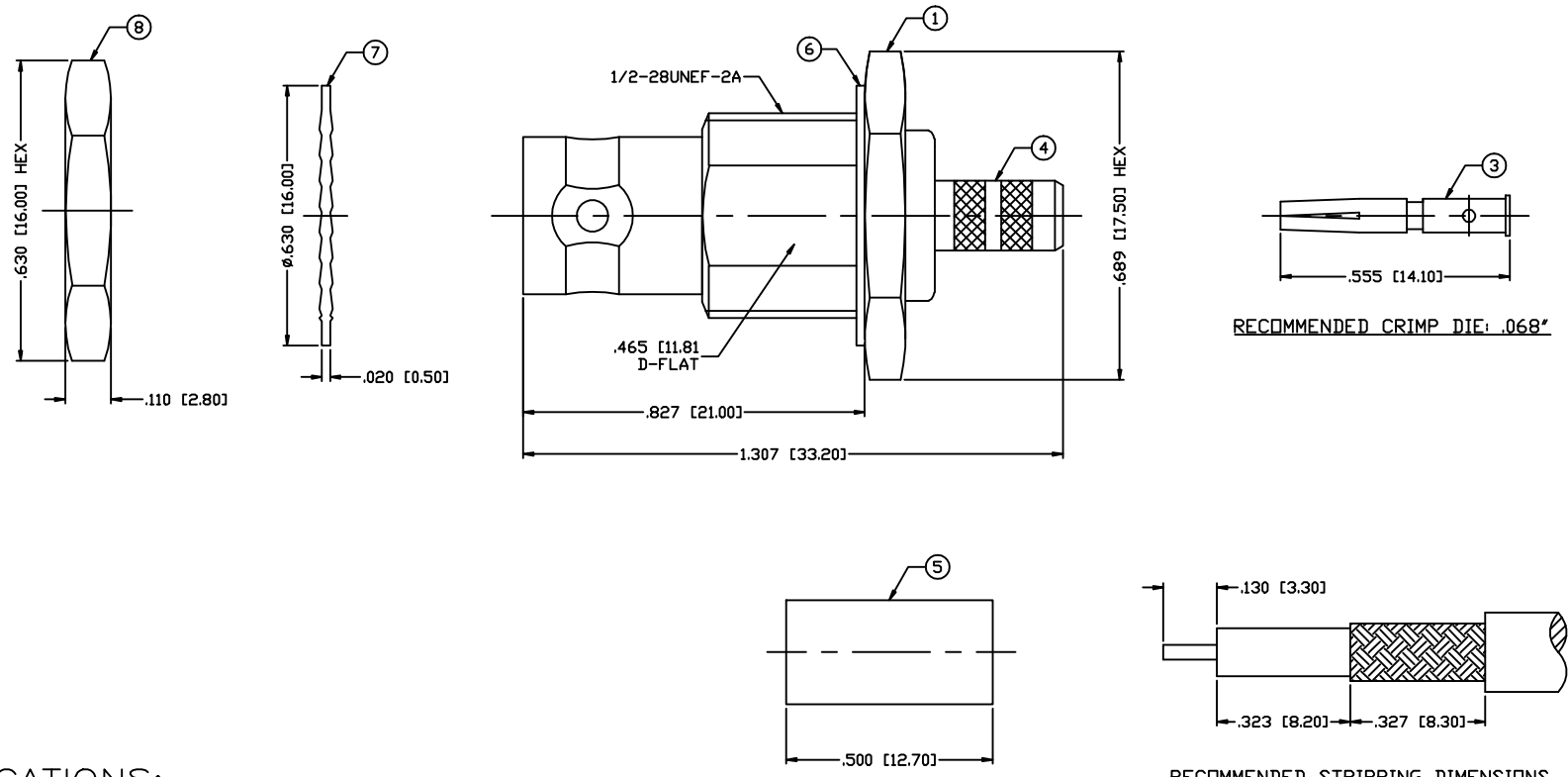


PART NO.		<b>RFB-1117-C1T</b>		
REV	DESCRIPTION	DWN	DATE	APPROVED
-	ENGINEERING RELEASE	CZS	02/11/10	JDMc



**SPECIFICATIONS:**

IMPEDANCE: 50 Ohms  
 FREQUENCY RANGE: 0-4 GHz  
 VSWR: 1.3 Max.  
 WORKING VOLTAGE: 500 V rms @ sea level  
 TEMPERATURE RANGE: -65°C TO 85°C  
 INSULATION RESISTANCE: 5k M Ohms min.  
 FOR RG-55, 55A, 55B, 142, 142A, 142B, 223 & 400/U,  
 ALPHA 9055, 9055B, 9223, BELDEN 8219, 83242, 84142

RECOMMENDED CRIMP DIE: .213"

RECOMMENDED STRIPPING DIMENSIONS

#	DESCRIPTION	QTY	MATERIAL	FINISH
8	HEX NUT	1	BRASS	NICKEL, 80μ"
7	LOCK WASHER	1	BRASS	NICKEL, 80μ"
6	GASKET	1	RUBBER	---
5	FERRULE	1	BRASS	NICKEL, 80μ"
4	FERRULE STUD	1	BRASS	NICKEL, 80μ"
3	CONTACT	1	BRASS	GOLD, 3μ"
2	INSULATOR	1	PTFE	---
1	BODY	1	BRASS	NICKEL, 80μ"

CUSTOMER OUTLINE DRAWING	
ALL DIMENSIONS ARE REFERENCE ONLY	
UNLESS OTHERWISE SPECIFIED: DIMENSIONS ARE IN INCHES AND [MILLIMETERS]	
DRAWN C. ZUNIGA	12/07/10
CHECKED	
ORJ DRAWN C. ZUNIGA	12/07/10

**RoHS COMPLIANT**

PROPRIETARY AND CONFIDENTIAL  
 THIS DRAWING CONTAINS INFORMATION PROPRIETARY TO RF INDUSTRIES. ANY UNAUTHORIZED USE OF THIS DRAWING IS EXPRESSLY PROHIBITED WITHOUT WRITTEN PERMISSION FROM RF INDUSTRIES. ANY VIOLATION IS PUNISHABLE UNDER U.S. COPYRIGHT LAWS.

**RFconnectors** 7610 MIRAMAR RD. SAN DIEGO, CA 92126 (858) 549-6340  
 DIVISION OF RF INDUSTRIES, LTD. (858) 549-6345 FAX

**BNC JACK, CRIMP BULKHEAD**

SIZE A	CABLE GROUP C1	DWG NO. <b>RFB-1117-C1T</b>	REV ---
SCALE: NTS	ENGINEERING ID: 000494	SHEET 1 OF 1	