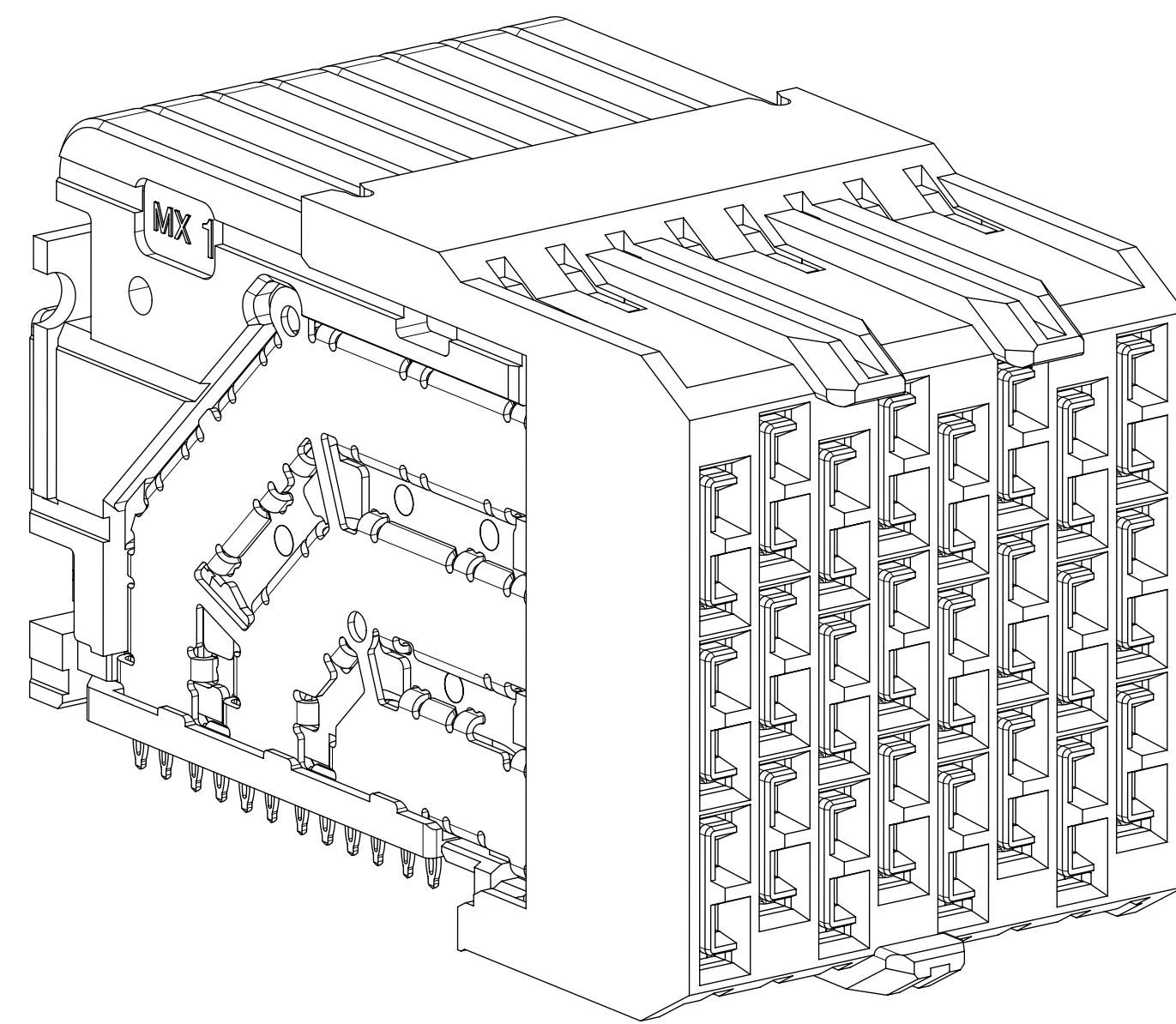

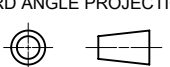


**NOTES:**

1. MATERIALS: HOUSING - LIQUID CRYSTAL POLYMER (LCP)  
GLASS-FILLED, UL94V-0  
TERMINALS - HIGH PERFORMANCE COPPER ALLOY
2. FINISH: 30uIN GOLD IN CONTACT AREA.  
SELECTIVE TIN ON PCB TAILS.  
NICKEL OVERALL.
3. REFER TO MOLEX PRODUCT SPECIFICATION PS-172740-999 FOR PERFORMANCE SPECIFICATIONS.
4. THIS PART CONFORMS TO CLASS B REQUIREMENTS OF MOLEX COSMETIC SPEC PS-45499-002.
5. PRODUCT WILL BE PACKAGED PER PK-78888-083.
6. SEE SHEET 2 FOR HOLE PATTERN DIMENSIONS.
7. MATES WITH IMPEL BP SERIES NUMBER 171335.
8. REFER TO IMPEL PCB ROUTING GUIDE AS-172730-990 FOR ANTIPAD, ROUTING RECOMMENDATIONS, AND ADDITIONAL PCB INFORMATION.
9. WHEN STACKING MODULES END TO END, THE MINIMUM COLUMN TO COLUMN HOLE SPACING IS 2.65mm.



THIS DRAWING CONTAINS INFORMATION THAT IS PROPRIETARY TO MOLEX ELECTRONIC TECHNOLOGIES, LLC AND SHOULD NOT BE USED WITHOUT WRITTEN PERMISSION									
DIMENSION UNITS		SCALE		CURRENT REV DESC: REV TABLE ADD 10C					
mm		NTS		 IMPEL PLUS DAUGHTERCARD 3 PAIR - 1.9MM PITCH UNGUIDED SALES DRAWING PRODUCT CUSTOMER DRAWING					
GENERAL TOLERANCES (UNLESS SPECIFIED)									
ANGULAR TOL ± 0.5°									
4 PLACES ±									
3 PLACES ±									
2 PLACES ± 0.13				EC NO: 611015		2019/01/08		DOCUMENT NUMBER	
1 PLACE ± 0.25				DRWN: CYLIAW		2019/01/25		SD-172730-0001	
0 PLACES ±				CHK'D: YLLIM		2019/02/04		DOC TYPE DOC PART REVISION	
DRAFT WHERE APPLICABLE MUST REMAIN WITHIN DIMENSIONS				APPR: DWLEE01		2017/06/22		PSD 000 A2	
THIRD ANGLE PROJECTION		DRAWING		SERIES		MATERIAL NUMBER		CUSTOMER	
		C-SIZE		172730		SEE TABLE		GENERAL MARKET	
								SHEET NUMBER	
								1 OF 2	

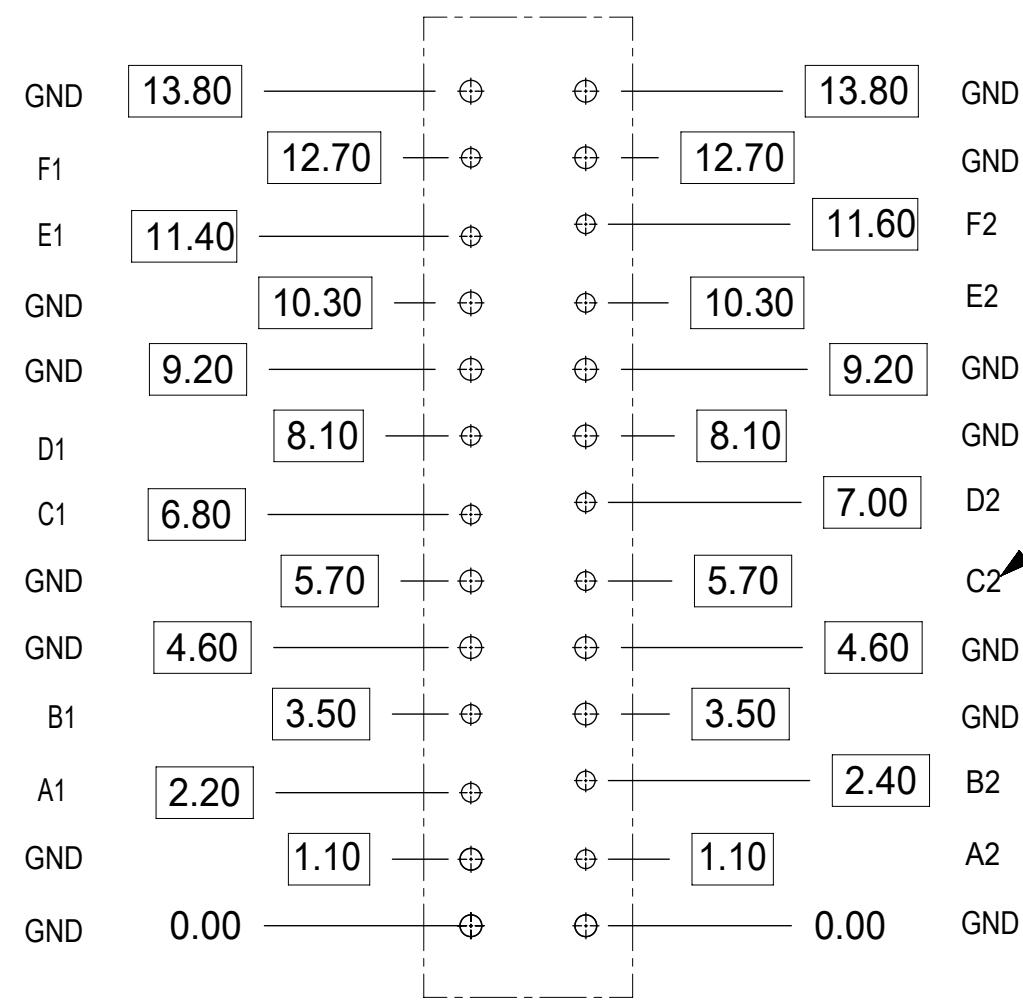
DOCUMENT STATUS	P1	RELEASE DATE	2019/02/04	00:10:38
-----------------	----	--------------	------------	----------

MATERIAL NUMBER	NUMBER OF COLUMNS	NUMBER OF DIFF PAIR	DIM 'A'	DIM 'B'
172730-1138	8	24	15.95 MAX	13.30
172730-1120	10	30	19.75 MAX	17.10

172730-11\*\*

MODULE TYPE  
1 = UNGUIDED

COLUMN SIZE  
20 = 10 COLUMN  
22 = 12 COLUMN  
26 = 16 COLUMN  
38 = 8 COLUMN

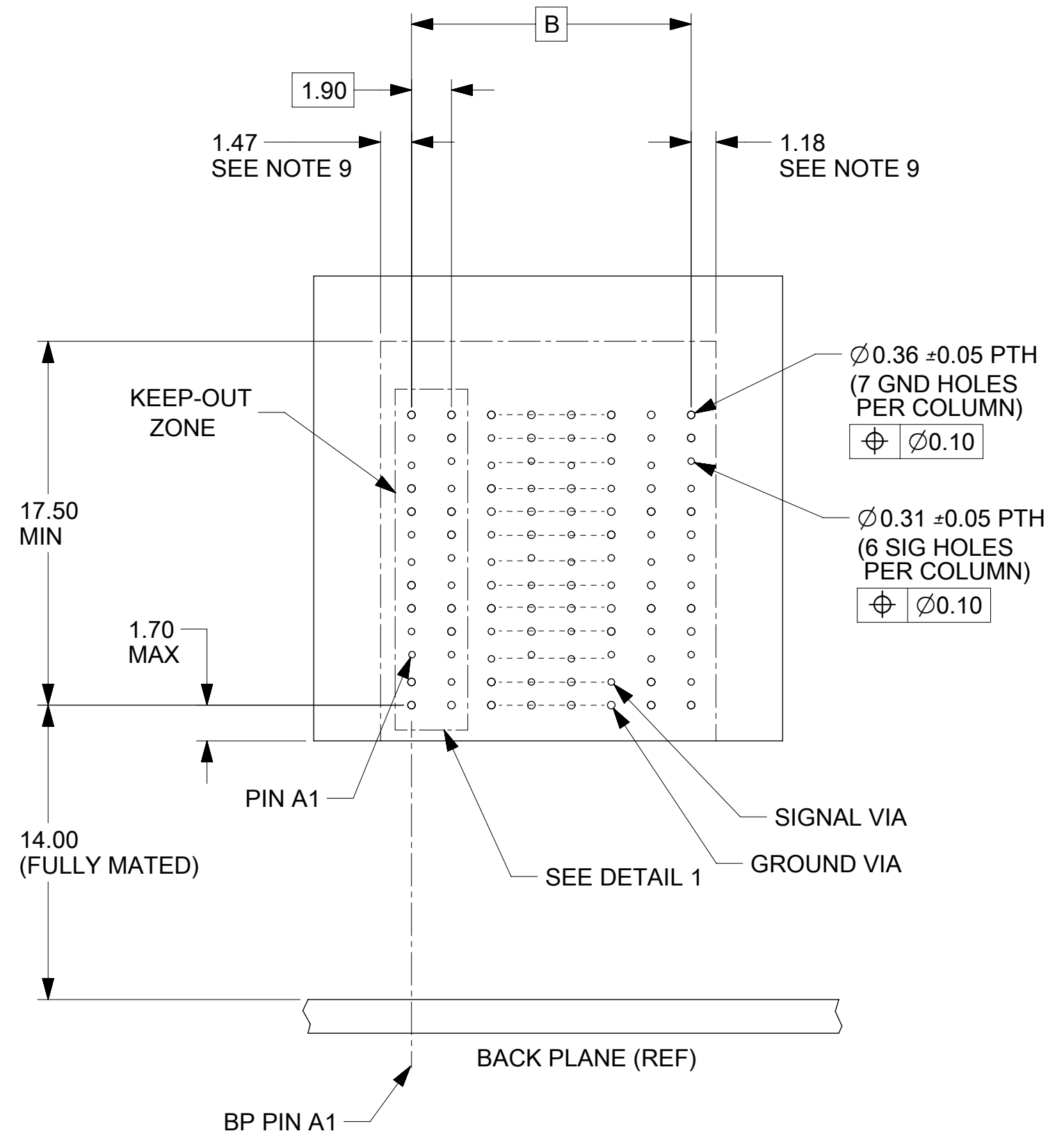


ODD COLUMN DIMENSIONS

EVEN COLUMN DIMENSIONS

DETAIL 1  
SCALE 8:1

ACTUAL PIN NUMBERS  
DEPENDENT UPON  
CONNECTOR COLUMN SIZE



DAUGHTERCARD HOLE PATTERN  
(CONNECTOR SIDE)

THIS DRAWING CONTAINS INFORMATION THAT IS PROPRIETARY TO MOLEX ELECTRONIC TECHNOLOGIES, LLC AND SHOULD NOT BE USED WITHOUT WRITTEN PERMISSION									
DIMENSION UNITS		SCALE		CURRENT REV DESC: REV TABLE ADD 10C					
mm		NTS							
GENERAL TOLERANCES (UNLESS SPECIFIED)									
ANGULAR TOL		± 0.5°		EC NO: 611015		2019/01/08		IMPEL PLUS DAUGHTERCARD	
4 PLACES		±		DRWN: CYLIAW		2019/01/25		3 PAIR - 1.9MM PITCH UNGUIDED SALES DRAWING	
3 PLACES		±		CHK'D: YLLIM		2019/02/04		PRODUCT CUSTOMER DRAWING	
2 PLACES		± 0.13		APPR: DWLEE01				DOCUMENT NUMBER	
1 PLACE		± 0.25		INITIAL REVISION:		2016/05/09		SD-172730-0001	
0 PLACES		±		DRWN: VNANDAM		2017/06/22		DOC TYPE	
DRAFT WHERE APPLICABLE		THIRD ANGLE PROJECTION		APPR: DWLEE01				DOC PART	
MUST REMAIN WITHIN DIMENSIONS				DRAWING		SERIES		REVISION	
				C-SIZE		172730		PSD 000 A2	
				MATERIAL NUMBER		CUSTOMER		SHEET NUMBER	
				SEE TABLE		GENERAL MARKET		2 OF 2	

DOCUMENT STATUS	P1	RELEASE DATE	2019/02/04	00:10:38
-----------------	----	--------------	------------	----------