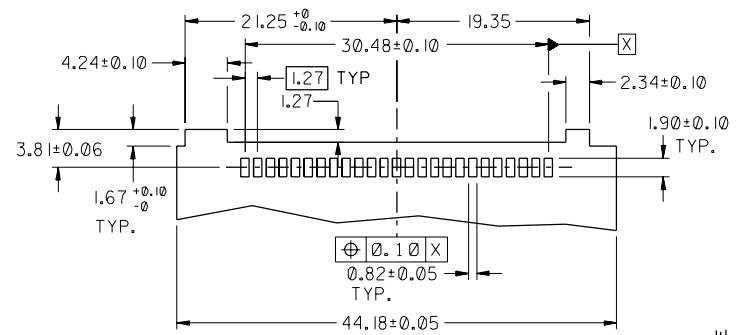
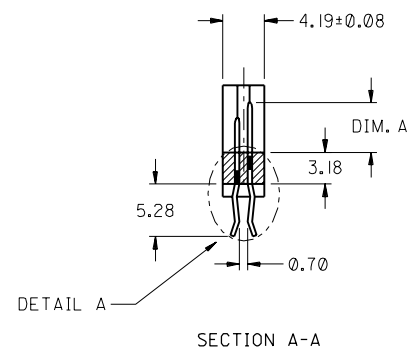
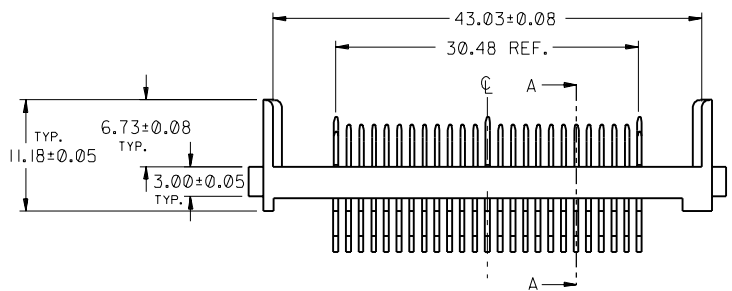
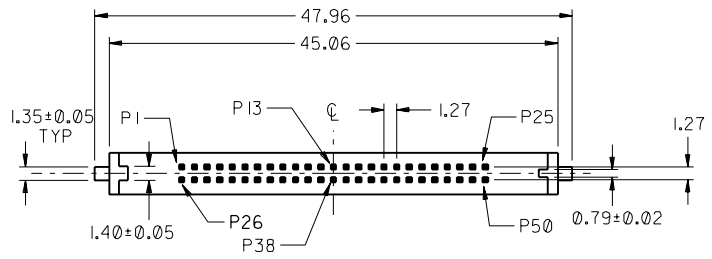


SD-67005-002

| PIN TYPE | DIM. A | PIN NO. |
|----------|--------|----------------|
| DETECT | 3.50 | 25,26 |
| GENERAL | 4.25 | ALL OTHER PINS |
| POWER | 5.00 | 1,13,38,50 |



RECOMMENDED PCB LAYOUT
(THICKNESS : 0.9±0.10 MM)

NEW RELEASE
T2000-0109
G.Wang 99/11/29
Wilson Chang
Mega Lin

NOTES:

1. HOUSING : HIGH TEMPERATURE PLASTIC.
2. TERMINAL : COPPER ALLOY.
3. PLATING:
CONTACT AREA: GOLD, THICKNESS=4 MICROINCH OVER PALLADIUM-NICKEL, THICKNESS= 40 MICROINCH MINIMUM
SOLDER TAIL AREA: TIN-LEAD, THICKNESS=40 MICROINCH MINIMUM, UNDER PLATING: NICKEL OVERALL.
4. PRODUCT SPEC.: REFER TO PS-67003.

2 : 1

G.Wang 99/11/29

50CKTS CFA STRADDLE MOUNT HEADER ASS'Y,
STANDARD REV.

S6700502.S01