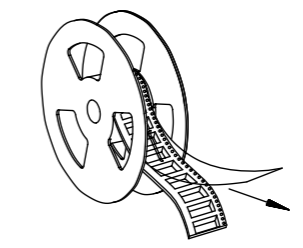
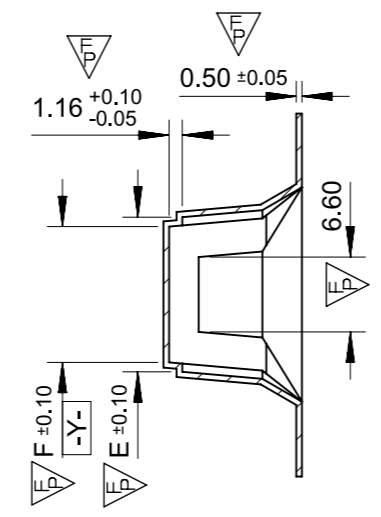
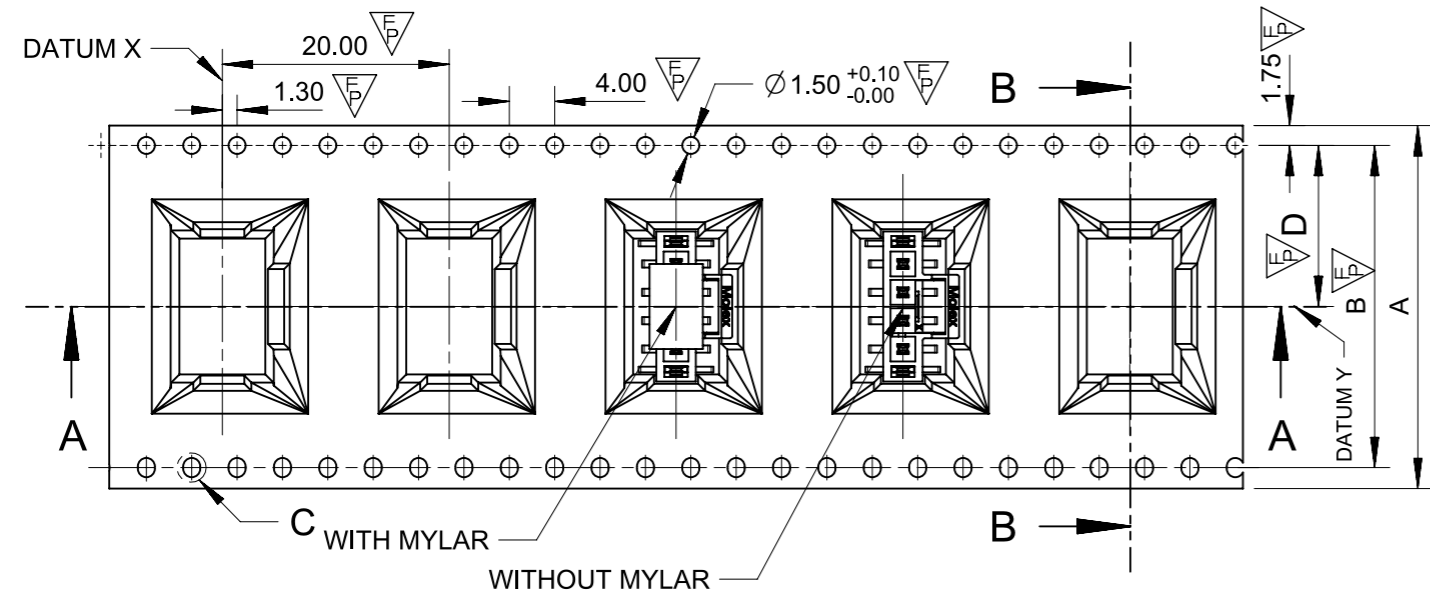


| CARRIER TAPE SPEC FOR SMT SINGLE VERTICAL HEADER OF NANO-FIT | | | | | |
|--|-------|-------|-------|-------|-------|
| CARRIER TAPE NUMBER | DIM A | DIM B | DIM D | DIM E | DIM F |
| 105431-8001 | 24.00 | N/A | 11.50 | 8.63 | 6.97 |
| 105431-8002 | 24.00 | N/A | 11.50 | 11.13 | 9.47 |
| 105431-8003 | 32.00 | 28.40 | 14.20 | 13.63 | 11.97 |
| 105431-8004 | 32.00 | 28.40 | 14.20 | 16.13 | 14.47 |
| 105431-8005 | 44.00 | 40.40 | 20.20 | 18.63 | 16.97 |
| 105431-8006 | 44.00 | 40.40 | 20.20 | 21.13 | 19.47 |
| 105431-8007 | 44.00 | 40.40 | 20.20 | 23.63 | 21.97 |

NOTES :
1. REELING DIRECTION IN DELIVERY.

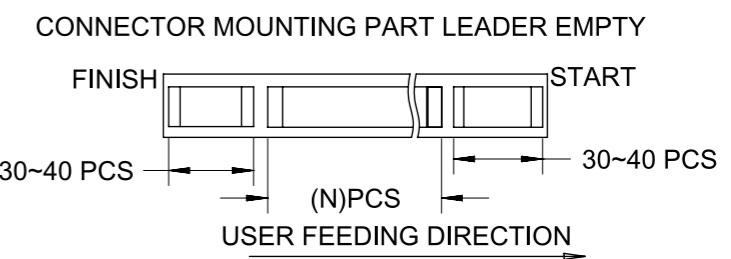


USER FEEDING DIRECTION

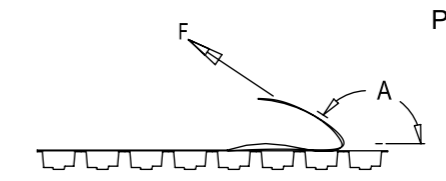


SECTION B-B

2. USER FEEDING DIRECTION

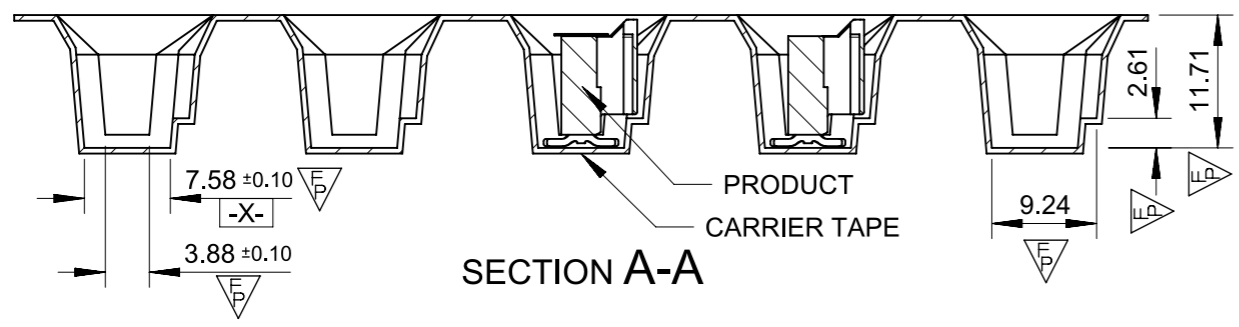


3. COVER TAPE PEELING FORCE



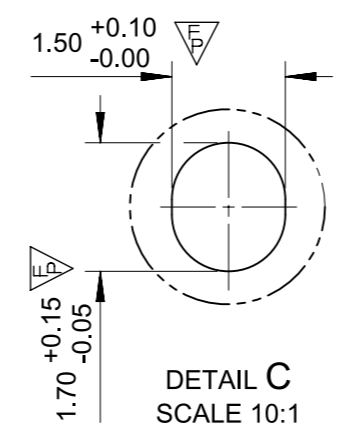
PEELING SPEED 300mm/Min.(REF.)

| | |
|---|-----------|
| A | 170°~180° |
| F | 0.1N~1.3N |



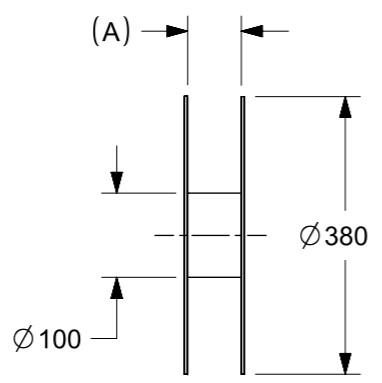
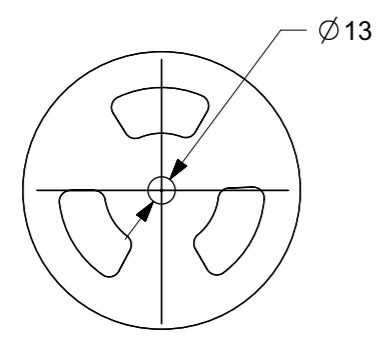
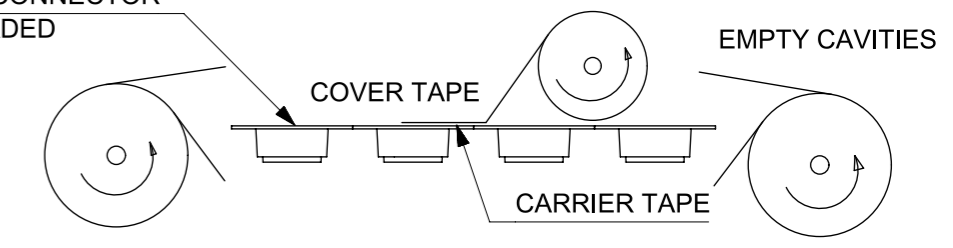
SECTION A-A

USER FEEDING DIRECTION

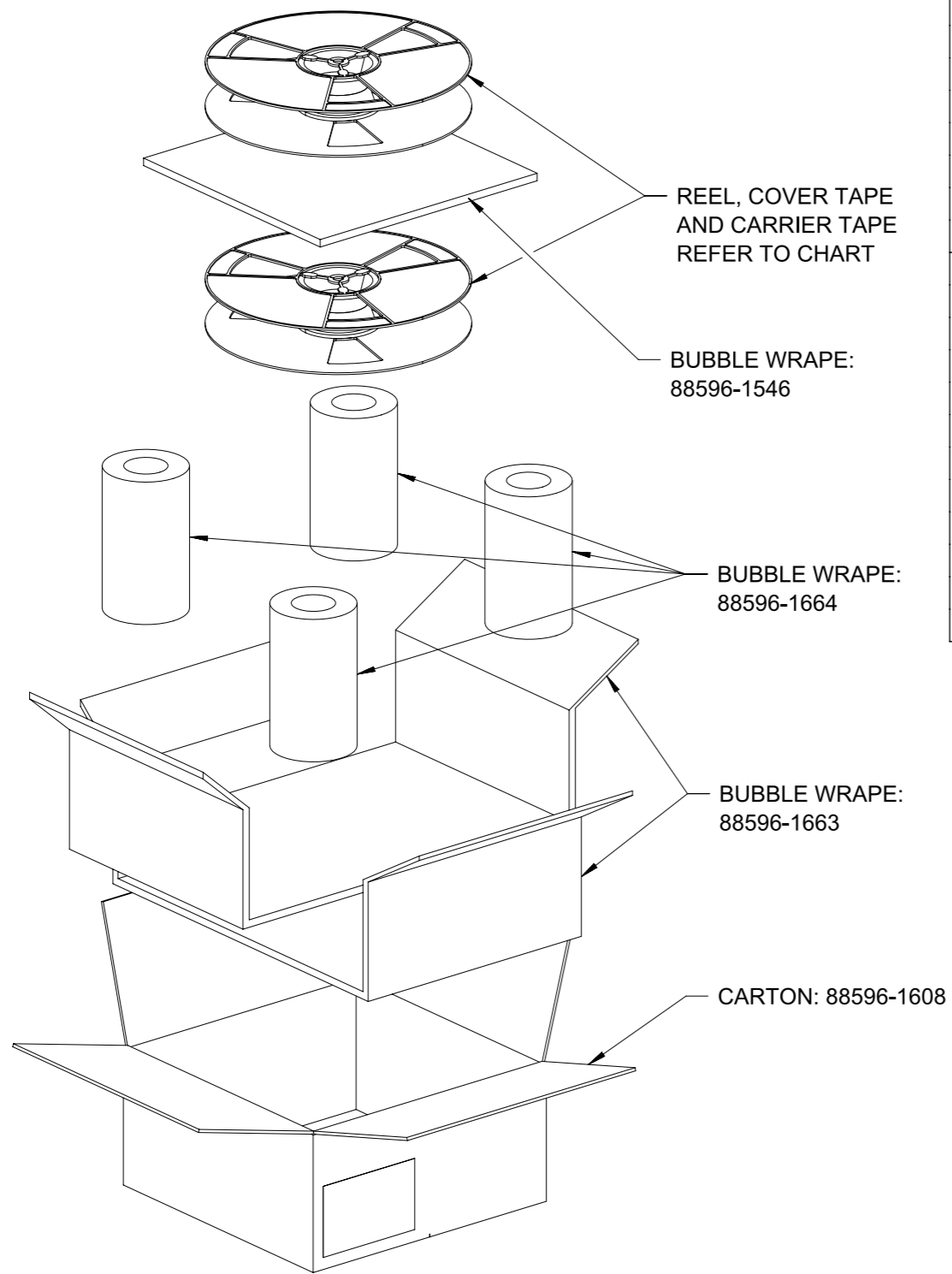


DETAIL C
SCALE 10:1

NANO-FIT CONNECTOR FULLY LOADED

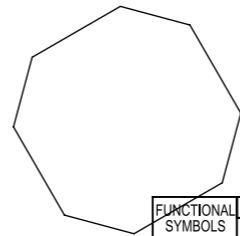


| | | | | | | |
|--|---|-----------|-------------------|--|------------------------------|--|
| FUNCTIONAL SYMBOLS | THIS DRAWING CONTAINS INFORMATION THAT IS PROPRIETARY TO MOLEX ELECTRONIC TECHNOLOGIES, LLC AND SHOULD NOT BE USED WITHOUT WRITTEN PERMISSION | | CURRENT REV DESC: | | molex | |
| GENERAL TOLERANCES (UNLESS SPECIFIED) | mm | SCALE 1:1 | | | | |
| ANGULAR TOL | ± | ° | | | PACKING DRAWING FOR NANO-FIT | |
| 4 PLACES | ± | | | | PRODUCT CUSTOMER DRAWING | |
| 3 PLACES | ± | | | | DOCUMENT NUMBER | |
| 2 PLACES | ± | 0.13 | | | 1054311000-PK | |
| 1 PLACE | ± | 0.25 | | | DOC TYPE | |
| 0 PLACES | ± | | | | PSD | |
| DRAFT WHERE APPLICABLE MUST REMAIN WITHIN DIMENSIONS | THIRD ANGLE PROJECTION | | DRAWING | | SHEET NUMBER | |
| | A3-SIZE | | SERIES | | 1 OF 2 | |
| | 105431 | | MATERIAL NUMBER | | GENERAL MARKET | |
| | | | CUSTOMER | | | |

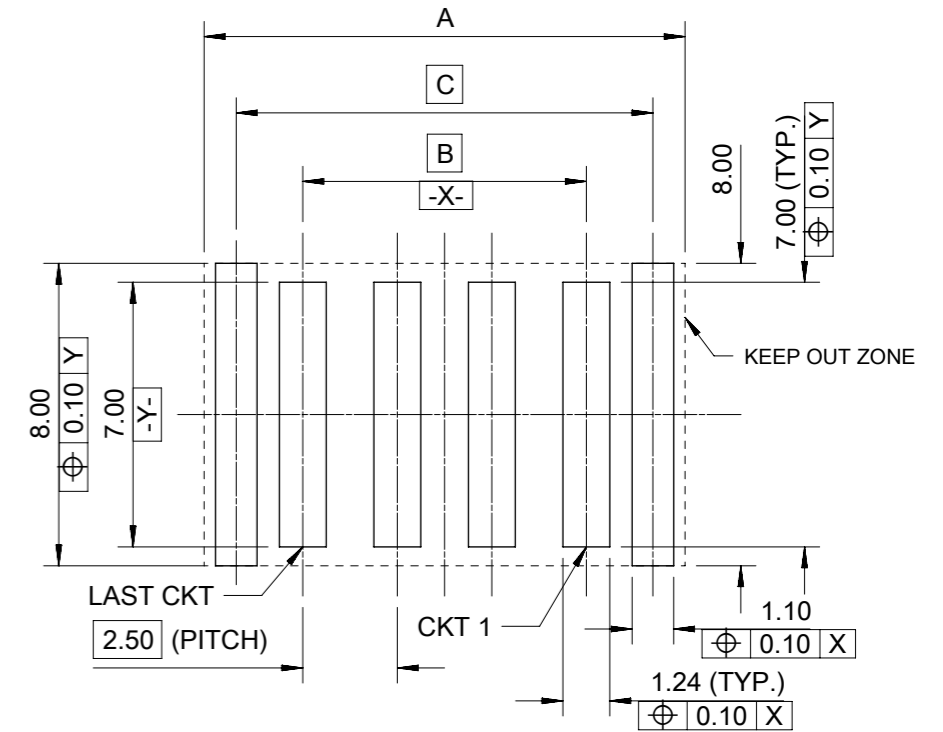
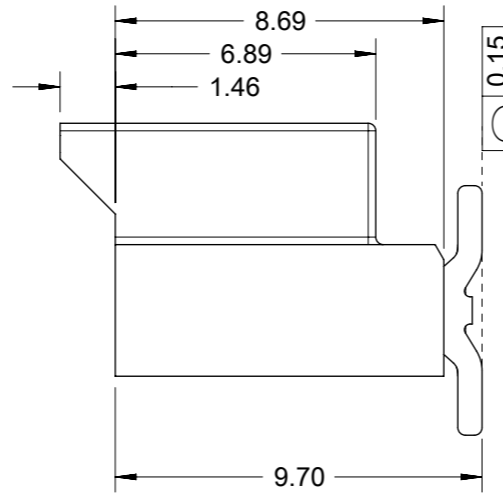
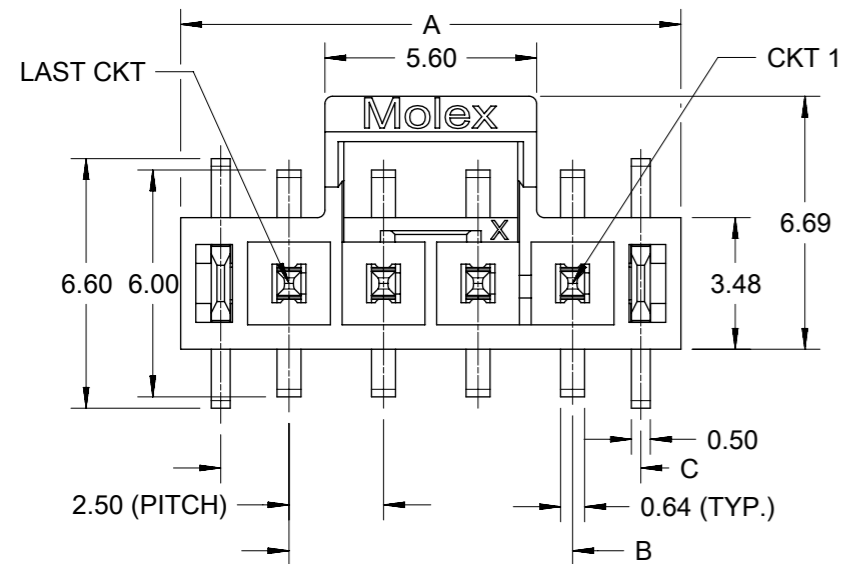


| REEL | COVER TAPE | CARRIER TAPE | PRODUCT NUMBER | | | | PARTS PER REEL | REELS PER CARTON | PARTS PER CARTON | | |
|-----------|------------|--------------|----------------|--|--|--|----------------|------------------|------------------|-----|--|
| 885961399 | 894990121 | 105431-8001 | WITH MYLAR | 105431-1102, 105431-1202, 105431-1302, 105431-1402 | | | | 300 | 3 | 900 | |
| | | | WITHOUT MYLAR | 105431-1502, 105431-1602, 105431-1702, 105431-1802 | | | | | | | |
| | | | WITHOUT MYLAR | 105431-2502, 105431-2602, 105431-2702, 105431-2802 | | | | | | | |
| | | 105431-8002 | WITH MYLAR | 105431-1103, 105431-1203, 105431-1303, 105431-1403 | | | | | | | |
| | | | WITHOUT MYLAR | 105431-1503, 105431-1603, 105431-1703, 105431-1803 | | | | | | | |
| | | | WITHOUT MYLAR | 105431-2503, 105431-2603, 105431-2703, 105431-2803 | | | | | | | |
| 885961400 | 894990122 | 105431-8003 | WITH MYLAR | 105431-1104, 105431-1204, 105431-1304, 105431-1404 | | | | 300 | 3 | 900 | |
| | | | WITHOUT MYLAR | 105431-1504, 105431-1604, 105431-1704, 105431-1804 | | | | | | | |
| | | | WITHOUT MYLAR | 105431-2504, 105431-2604, 105431-2704, 105431-2804 | | | | | | | |
| | | 105431-8004 | WITH MYLAR | 105431-1105, 105431-1205, 105431-1305, 105431-1405 | | | | | | | |
| | | | WITHOUT MYLAR | 105431-1505, 105431-1605, 105431-1705, 105431-1805 | | | | | | | |
| | | | WITHOUT MYLAR | 105431-2505, 105431-2605, 105431-2705, 105431-2805 | | | | | | | |
| 885961401 | 894990123 | 105431-8005 | WITH MYLAR | 105431-1106, 105431-1206, 105431-1306, 105431-1406 | | | | 300 | 2 | 600 | |
| | | | WITHOUT MYLAR | 105431-1506, 105431-1606, 105431-1706, 105431-1806 | | | | | | | |
| | | | WITHOUT MYLAR | 105431-2506, 105431-2606, 105431-2706, 105431-2806 | | | | | | | |
| | | | 105431-8006 | WITH MYLAR | 105431-1107, 105431-1207, 105431-1307, 105431-1407 | | | | | | |
| | | | | WITHOUT MYLAR | 105431-1507, 105431-1607, 105431-1707, 105431-1807 | | | | | | |
| | | | | WITHOUT MYLAR | 105431-2507, 105431-2607, 105431-2707, 105431-2807 | | | | | | |
| | | 105431-8007 | WITH MYLAR | 105431-1108, 105431-1208, 105431-1308, 105431-1408 | | | | 300 | 2 | 600 | |
| | | | WITHOUT MYLAR | 105431-1508, 105431-1608, 105431-1708, 105431-1808 | | | | | | | |
| | | | WITHOUT MYLAR | 105431-2508, 105431-2608, 105431-2708, 105431-2808 | | | | | | | |

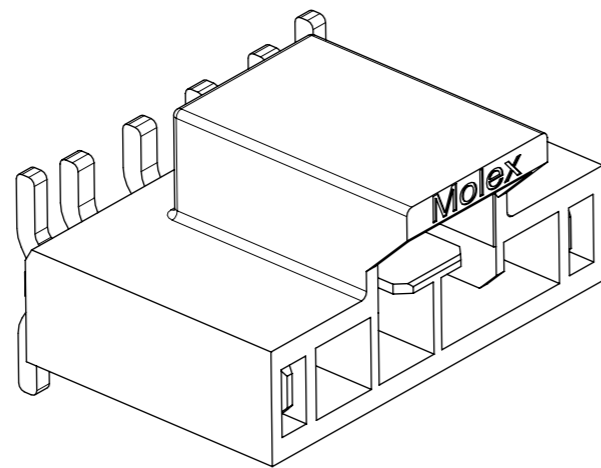
- NOTES :
1. STAPLES SHOULD ONLY BE USED TO SET UP CARTON. ALL CARTONS CLOSURES MUST BE DONE WITH TAPE.
 2. FILL PACKAGING BAGS WITH THE QUANTITIES AS INDICATED IN THE CHART



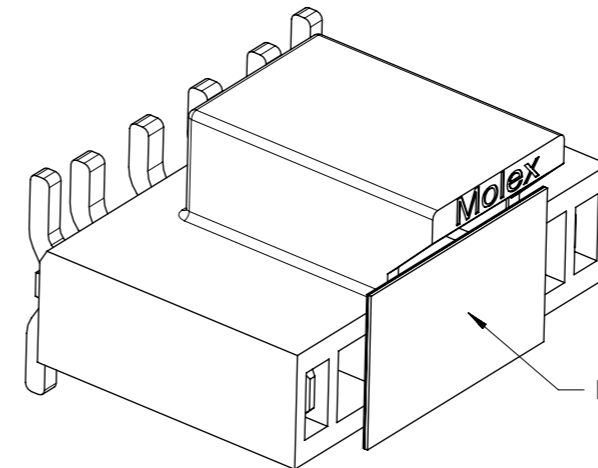
| | | | | | | | | | |
|---|---------------------------------------|--------|--|------------|--------|-----------------|----------------|-----------------|----------|
| THIS DRAWING CONTAINS INFORMATION THAT IS PROPRIETARY TO MOLEX ELECTRONIC TECHNOLOGIES, LLC AND SHOULD NOT BE USED WITHOUT WRITTEN PERMISSION | | | | | | | | | |
| FUNCTIONAL SYMBOLS | DIMENSION UNITS | SCALE | CURRENT REV DESC: | | | | | | |
| $\nabla_A = 0$ | mm | 1:1 | molex PACKING DRAWING FOR NANO-FIT PRODUCT CUSTOMER DRAWING | | | | | | |
| $\nabla_E = 0$ | GENERAL TOLERANCES (UNLESS SPECIFIED) | | | | | | | | |
| $\nabla_P = 0$ | ANGULAR TOL | ± ° | | | | | | | |
| DIVISIONAL SYMBOLS | 4 PLACES | ± | | | | | | | |
| | 3 PLACES | ± | EC NO: 670810 | 2021/07/21 | | | | | |
| | 2 PLACES | ± 0.13 | DRWN: GLLI | 2021/07/22 | | | | | |
| | 1 PLACE | ± 0.25 | CHK'D: YXZHENG | 2021/07/22 | | | | | |
| | 0 PLACES | ± | APPR: YXZHENG | 2021/07/22 | | | | | |
| DRAFT WHERE APPLICABLE MUST REMAIN WITHIN DIMENSIONS | | | THIRD ANGLE PROJECTION | DRAWING | SERIES | MATERIAL NUMBER | CUSTOMER | DOCUMENT NUMBER | DOC TYPE |
| | | | | A3-SIZE | 105431 | 1054311000-PK | GENERAL MARKET | 1054311000-PK | PSD |
| | | | | | | | | 000 | A |
| | | | | | | | | | 2 OF 2 |



RECOMMENDED PCB LAYOUT(CONNECTOR SIDE VIEW)
THICKNESS=1.60mm MIN. TOLERANCE:±0.05

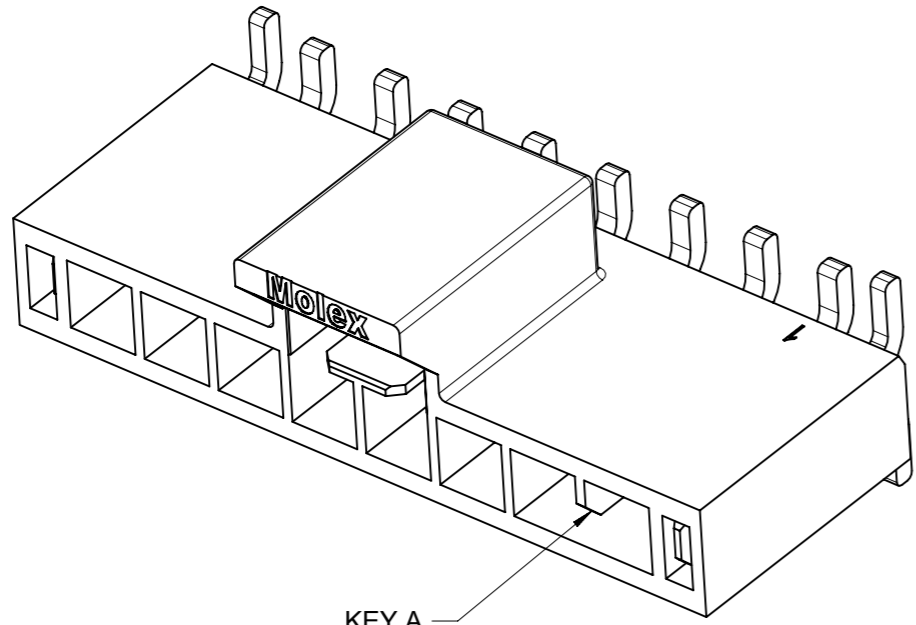


WITHOUT MYLAR

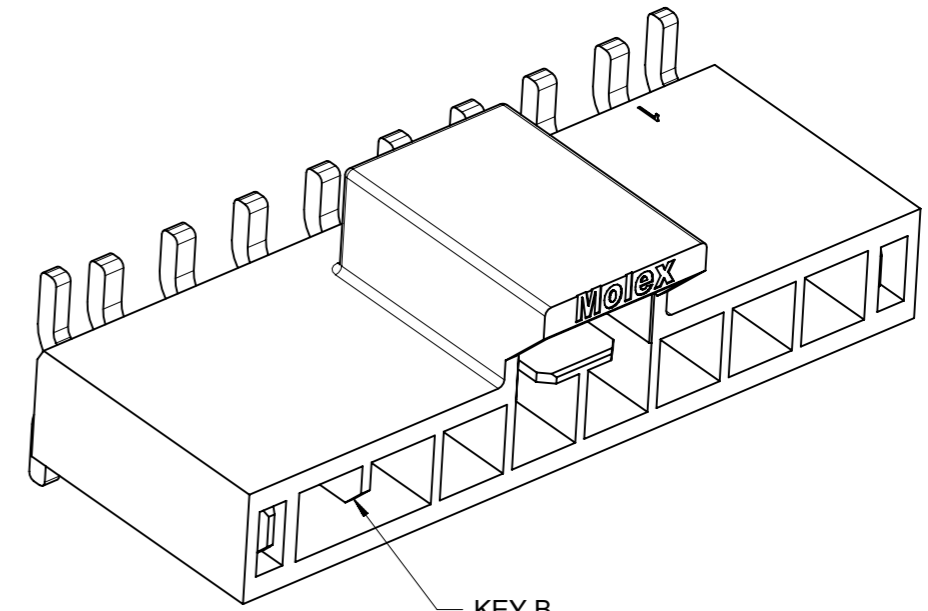


WITH MYLAR

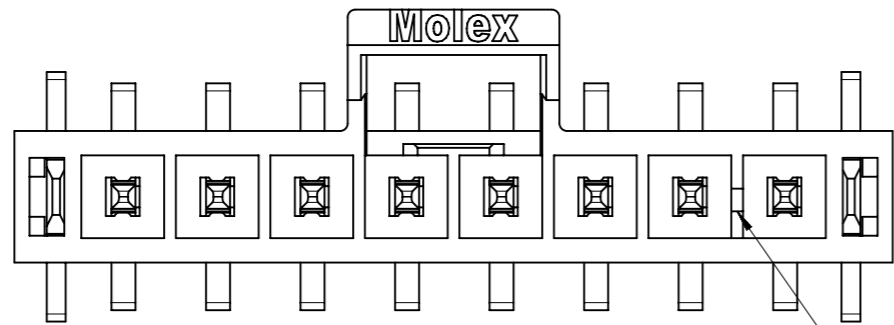
| THIS DRAWING CONTAINS INFORMATION THAT IS PROPRIETARY TO MOLEX ELECTRONIC TECHNOLOGIES, LLC AND SHOULD NOT BE USED WITHOUT WRITTEN PERMISSION | | | | | | | | | | | | |
|---|--|------------|------------|--|--|------------------------|-------|--------------|--|--|--|--|
| QUALITY SYMBOLS ▽A = 0 ▽E = 0 ▽F = 0 ▼ = 0 ▽C = 0 ⊠ = 0 ■ = 0 ▽ = 0 | 2021/04/27 | 2021/07/22 | 2021/07/22 | GENERAL TOLERANCES (UNLESS SPECIFIED) | | DIMENSION UNITS | SCALE | molex | | | | |
| | 2021/07/22 | 2021/07/22 | 2021/07/22 | ANGULAR TOL ± 3.0 ° | | mm | 5:1 | | | | | |
| | EC NO: 670810 DRWN: GLLI CHK'D: YXZHENG APPR: YXZHENG | 4 PLACES | ± | DRWN BY | | DATE | WJHUO | | 2014/10/30 | | SD DRAWING FOR NANO-FIT HEADER OF SMT VERTICAL SINGLE CONN. | |
| | | 3 PLACES | ± | CHK'D BY | | DATE | | | | | | |
| | | 2 PLACES | ± 0.2 | APPR BY | | DATE | AYIN | | 2015/03/12 | | PRODUCT CUSTOMER DRAWING | |
| | | 1 PLACE | ± 0.3 | DRAWING SIZE | | THIRD ANGLE PROJECTION | A3 | | SERIES: 105431 MATERIAL NUMBER: SEE TABLE CUSTOMER: GENERAL MARKET | | | |
| | | 0 PLACES | ± | DRAFT WHERE APPLICABLE MUST REMAIN WITHIN DIMENSIONS | | | | | | DOCUMENT NUMBER: SD-105431-001 DOC TYPE: PSD DOC PART: 000 SHEET NUMBER: 1 OF 4 | | |



KEY A

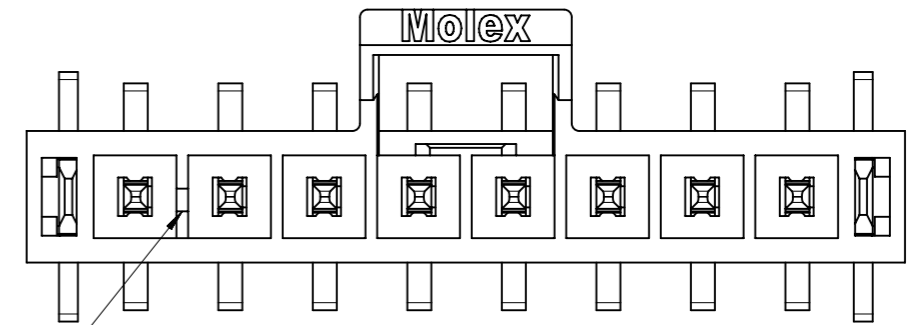


KEY B



KEY A

BLACK



KEY B

NATURAL

COLOR OPTION

| SYMBOLS | | | | THIS DRAWING CONTAINS INFORMATION THAT IS PROPRIETARY TO MOLEX ELECTRONIC TECHNOLOGIES, LLC AND SHOULD NOT BE USED WITHOUT WRITTEN PERMISSION | | | | | |
|--|-----|--|--------|---|---------|---------|-----------------|----------------|--------------|
| DIMENSION UNITS | | SCALE | | CURRENT REV DESC: | | | | | |
| | = 0 | mm | | molex SD DRAWING FOR NANO-FIT HEADER OF SMT VERTICAL SINGLE CONN. PRODUCT CUSTOMER DRAWING | | | | | |
| GENERAL TOLERANCES (UNLESS SPECIFIED) | | | | | | | | | |
| | = 0 | ANGULAR TOL | ± 3.0° | | | | | | |
| | = 0 | 4 PLACES | ± | | | | | | |
| | = 0 | 3 PLACES | ± | | | | | | |
| | = 0 | 2 PLACES | ± 0.2 | | | | | | |
| | = 0 | 1 PLACE | ± 0.3 | | | | | | |
| | = 0 | 0 PLACES | ± | | | | | | |
| | = 0 | DRAFT WHERE APPLICABLE MUST REMAIN WITHIN DIMENSIONS | | THIRD ANGLE PROJECTION | DRAWING | SERIES | MATERIAL NUMBER | CUSTOMER | SHEET NUMBER |
| | = 0 | | | | | A3-SIZE | 105431 | GENERAL MARKET | 2 OF 4 |

DOCUMENT STATUS | P1 | RELEASE DATE | 2021/07/22 | 09:31:37

FORMAT: master-b-prod-A3
REVISION: 31
DATE: 2018/01/18

| 9 | | 8 | | | 7 | | 6 | | 5 | | 4 | | 3 | | | 2 | | 1 | |
|--------------------------|-----------------------------|--------|--------|--------|----------|-------------|-------------|-------|-------|-------|---|--------------------------|-----------------------------|--------|--------|--------|----------|-------------|-------------|
| PART NUMBER (WITH MYLAR) | PART NUMBER (WITHOUT MYLAR) | DIM. A | DIM. B | DIM. C | CKT SIZE | PLATING | LUBE | | | | | PART NUMBER (WITH MYLAR) | PART NUMBER (WITHOUT MYLAR) | DIM. A | DIM. B | DIM. C | CKT SIZE | PLATING | LUBE |
| 105431-1102 | 105431-1502 | 8.23 | 2.50 | 6.11 | 2 | TIN | | | | | | 105431-2102 | 105431-2502 | 8.23 | 2.50 | 6.11 | 2 | TIN | |
| 105431-1103 | 105431-1503 | 10.73 | 5.00 | 8.61 | 3 | | | | | | | 105431-2103 | 105431-2503 | 10.73 | 5.00 | 8.61 | 3 | | |
| 105431-1104 | 105431-1504 | 13.23 | 7.50 | 11.11 | 4 | | | | | | | 105431-2104 | 105431-2504 | 13.23 | 7.50 | 11.11 | 4 | | |
| 105431-1105 | 105431-1505 | 15.73 | 10.00 | 13.61 | 5 | | | | | | | 105431-2105 | 105431-2505 | 15.73 | 10.00 | 13.61 | 5 | | |
| 105431-1106 | 105431-1506 | 18.23 | 12.50 | 16.11 | 6 | | | | | | | 105431-2106 | 105431-2506 | 18.23 | 12.50 | 16.11 | 6 | | |
| 105431-1107 | 105431-1507 | 20.73 | 15.00 | 18.61 | 7 | | | | | | | 105431-2107 | 105431-2507 | 20.73 | 15.00 | 18.61 | 7 | | |
| 105431-1108 | 105431-1508 | 23.23 | 17.50 | 21.11 | 8 | | | | | | | 105431-2108 | 105431-2508 | 23.23 | 17.50 | 21.11 | 8 | | |
| 105431-1202 | 105431-1602 | 8.23 | 2.50 | 6.11 | 2 | | | | | | | GOLD 0.38 | NO | | | | | | |
| 105431-1203 | 105431-1603 | 10.73 | 5.00 | 8.61 | 3 | 105431-2203 | 105431-2603 | 10.73 | 5.00 | 8.61 | 3 | | | | | | | | |
| 105431-1204 | 105431-1604 | 13.23 | 7.50 | 11.11 | 4 | 105431-2204 | 105431-2604 | 13.23 | 7.50 | 11.11 | 4 | | | | | | | | |
| 105431-1205 | 105431-1605 | 15.73 | 10.00 | 13.61 | 5 | 105431-2205 | 105431-2605 | 15.73 | 10.00 | 13.61 | 5 | | | | | | | | |
| 105431-1206 | 105431-1606 | 18.23 | 12.50 | 16.11 | 6 | 105431-2206 | 105431-2606 | 18.23 | 12.50 | 16.11 | 6 | | | | | | | | |
| 105431-1207 | 105431-1607 | 20.73 | 15.00 | 18.61 | 7 | 105431-2207 | 105431-2607 | 20.73 | 15.00 | 18.61 | 7 | | | | | | | | |
| 105431-1208 | 105431-1608 | 23.23 | 17.50 | 21.11 | 8 | 105431-2208 | 105431-2608 | 23.23 | 17.50 | 21.11 | 8 | | | | | | | | |
| 105431-1302 | 105431-1702 | 8.23 | 2.50 | 6.11 | 2 | GOLD 0.76 | | | | | | | | | | | | 105431-2302 | 105431-2702 |
| 105431-1303 | 105431-1703 | 10.73 | 5.00 | 8.61 | 3 | | | | | | | 105431-2303 | 105431-2703 | 10.73 | 5.00 | 8.61 | 3 | | |
| 105431-1304 | 105431-1704 | 13.23 | 7.50 | 11.11 | 4 | | | | | | | 105431-2304 | 105431-2704 | 13.23 | 7.50 | 11.11 | 4 | | |
| 105431-1305 | 105431-1705 | 15.73 | 10.00 | 13.61 | 5 | | | | | | | 105431-2305 | 105431-2705 | 15.73 | 10.00 | 13.61 | 5 | | |
| 105431-1306 | 105431-1706 | 18.23 | 12.50 | 16.11 | 6 | | | | | | | 105431-2306 | 105431-2706 | 18.23 | 12.50 | 16.11 | 6 | | |
| 105431-1307 | 105431-1707 | 20.73 | 15.00 | 18.61 | 7 | | | | | | | 105431-2307 | 105431-2707 | 20.73 | 15.00 | 18.61 | 7 | | |
| 105431-1308 | 105431-1708 | 23.23 | 17.50 | 21.11 | 8 | | | | | | | 105431-2308 | 105431-2708 | 23.23 | 17.50 | 21.11 | 8 | | |
| 105431-1402 | 105431-1802 | 8.23 | 2.50 | 6.11 | 2 | | | | | | | GOLD 0.76 | YES | | | | | 105431-2402 | 105431-2802 |
| 105431-1403 | 105431-1803 | 10.73 | 5.00 | 8.61 | 3 | 105431-2403 | 105431-2803 | 10.73 | 5.00 | 8.61 | 3 | | | | | | | | |
| 105431-1404 | 105431-1804 | 13.23 | 7.50 | 11.11 | 4 | 105431-2404 | 105431-2804 | 13.23 | 7.50 | 11.11 | 4 | | | | | | | | |
| 105431-1405 | 105431-1805 | 15.73 | 10.00 | 13.61 | 5 | 105431-2405 | 105431-2805 | 15.73 | 10.00 | 13.61 | 5 | | | | | | | | |
| 105431-1406 | 105431-1806 | 18.23 | 12.50 | 16.11 | 6 | 105431-2406 | 105431-2806 | 18.23 | 12.50 | 16.11 | 6 | | | | | | | | |
| 105431-1407 | 105431-1807 | 20.73 | 15.00 | 18.61 | 7 | 105431-2407 | 105431-2807 | 20.73 | 15.00 | 18.61 | 7 | | | | | | | | |
| 105431-1408 | 105431-1808 | 23.23 | 17.50 | 21.11 | 8 | 105431-2408 | 105431-2808 | 23.23 | 17.50 | 21.11 | 8 | | | | | | | | |

COLOR: BLACK

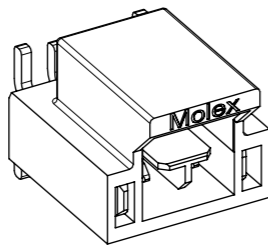
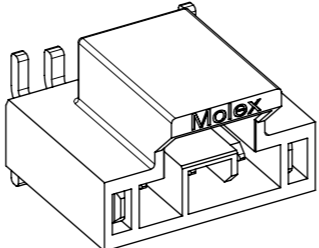
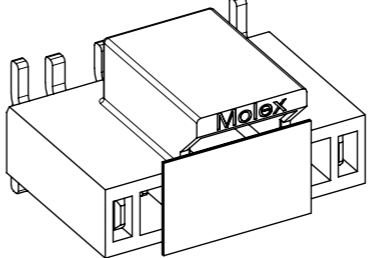
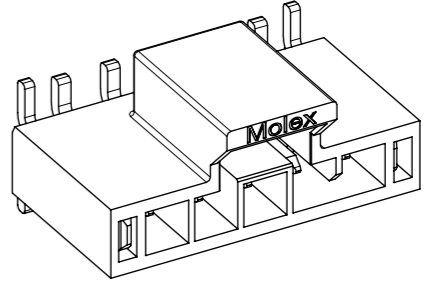
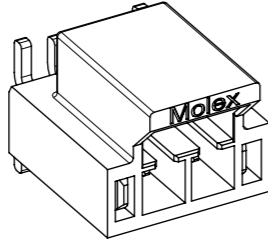
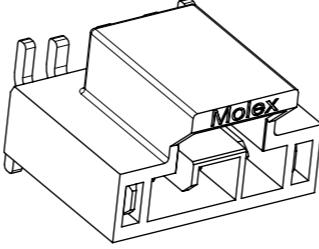
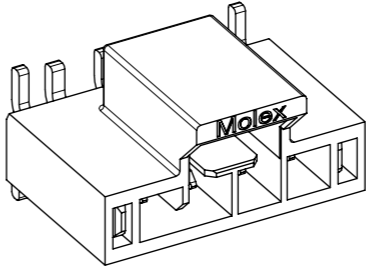
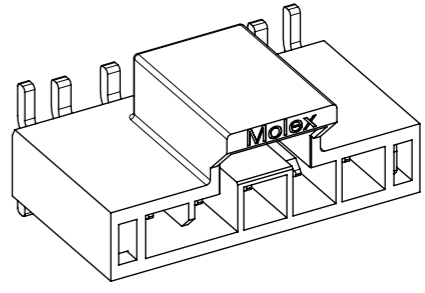
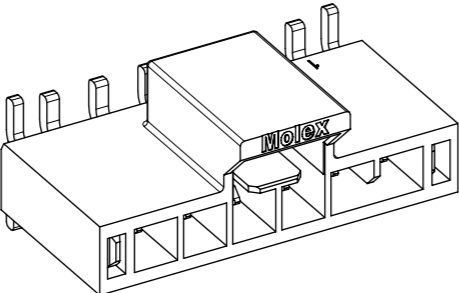
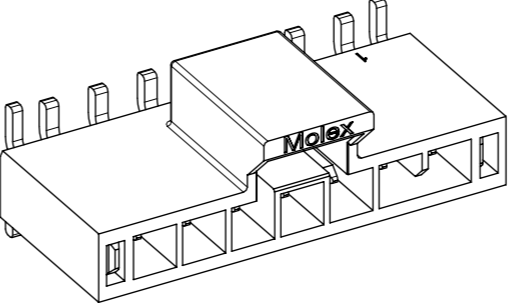
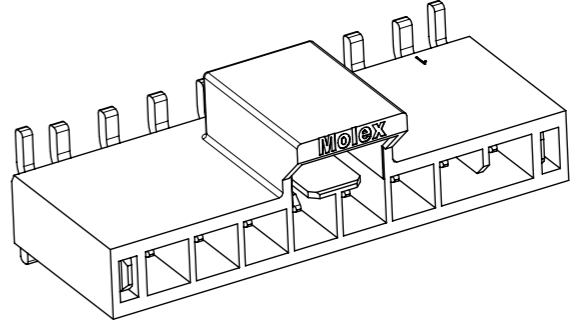
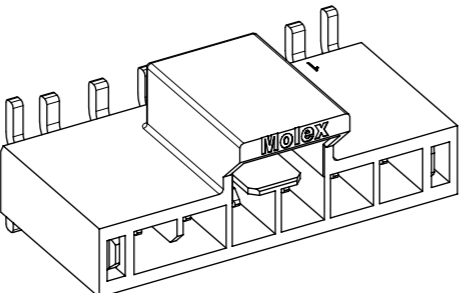
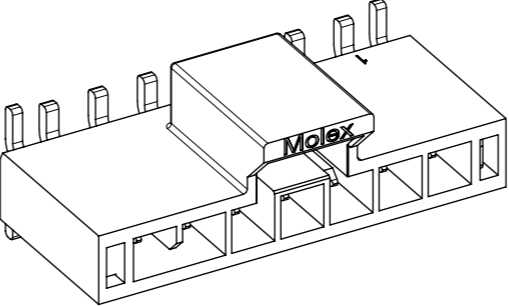
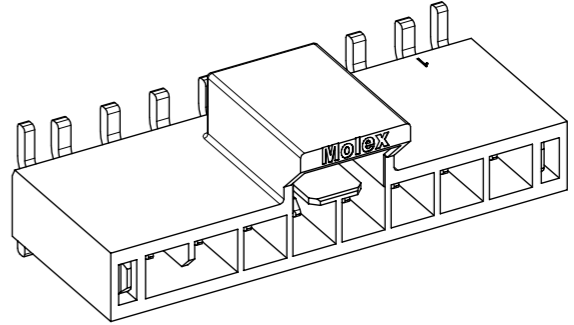
COLOR: NATURAL

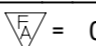
NOTES FOR ALL PARTS

1> MATERIAL:
HOUSING: LCP, UL 94V-0.
TERMINAL: BRASS.
SOLDER CLIP: BRASS.
2> PLATING FINISHED:
TERMINAL:
CONTACT AREA:
a. REFLOWED MATTE TIN 0.76 MICRONS MIN; b. GOLD 0.38 MICRONS MIN; c. GOLD 0.76 MICRONS MIN.
SOLDER AREA: TIN 0.76 MICRONS MINIMUM.
UNDER PLATING NICKEL 1.25 MICRONS MINIMUM.
SOLDER CLIP: TIN 2.5 MICRONS MINIMUM; UNDER PLATING NICKEL 1.25 MICRONS MINIMUM.

3> PRODUCT SPECIFICATION: PS-105405-001.
4> PACKAGE: TAPE REEL, DETAILS REFER TO DRAWING 1054311000-PK.
5> ALL COMPONENTS AND PRODUCT COMPLIANT TO RoHS DIRECTIVE 2011/65/EU AND ELV DIRECTIVE 2000/53/EC.
6> PRODUCT MATE WITH SERIES OF 105307(RECEPTACLE), 105300(CRIMP TERMINAL).
7> PARTS CONFORM TO CLASS 'B' REQUIREMENTS OF COSMETIC SPECIFICATION PS-45499-002.

| | | | | | | | | | | | |
|--|---|---|-------------------------|------------------------------|---------------------------|--|--------------------------|--|-------------------------|-------------------------------------|-----------------------------------|
| QUALITY SYMBOLS ▽A = 0 ▽E = 0 ▽B = 0 ▼ = 0 ▽C = 0 ⊗ = 0 ■ = 0 ▽ = 0 | THIS DRAWING CONTAINS INFORMATION THAT IS PROPRIETARY TO MOLEX ELECTRONIC TECHNOLOGIES, LLC AND SHOULD NOT BE USED WITHOUT WRITTEN PERMISSION | | | | | | | | | | |
| | EC NO: 670810 DRWN: GLLI CHK'D: YXZHENG APPR: YXZHENG | GENERAL TOLERANCES (UNLESS SPECIFIED) ANGULAR TOL ± 3.0 ° | | DIMENSION UNITS mm | SCALE 5:1 | SD DRAWING FOR NANO-FIT HEADER OF SMT VERTICAL SINGLE CONN. | | | | | |
| | | 4 PLACES ± 3 PLACES ± 2 PLACES ± 0.2 1 PLACE ± 0.3 0 PLACES ± | DRWN BY WJHUO | DATE 2014/10/30 | CHK'D BY | | | | | | |
| | | DRAFT WHERE APPLICABLE MUST REMAIN WITHIN DIMENSIONS | APPR BY AYIN | DATE 2015/03/12 | DRAWING SIZE A3 | THIRD ANGLE PROJECTION | PRODUCT CUSTOMER DRAWING | | SERIES 105431 | MATERIAL NUMBER SEE TABLE | CUSTOMER GENERAL MARKET |
| RELEASE STATUS P1 | RELEASE DATE 2021/07/22 09:31:37 | DOCUMENT NUMBER SD-105431-001 | | DOC TYPE PSD | DOC PART 000 | SHEET NUMBER 3 OF 4 | | | | | |

| | | | | |
|---------|--|---|---|---|
| | 2 CKT | 3 CKT | 4 CKT | 5 CKT |
| BLACK |  |  |  |  |
| NATURAL |  |  |  |  |
| | 6 CKT | 7 CKT | | 8 CKT |
| BLACK |  |  | |  |
| NATURAL |  |  | |  |

| | | | | | | | | | | | | | | | |
|---|--|--|--|--|--|---|--|---|--|--|--|---|--|--|--|
| THIS DRAWING CONTAINS INFORMATION THAT IS PROPRIETARY TO MOLEX ELECTRONIC TECHNOLOGIES, LLC AND SHOULD NOT BE USED WITHOUT WRITTEN PERMISSION | | | | | | | | | | | | | | | |
| QUALITY SYMBOLS □ = 0 ▽ = 0 ▽ = 0 ▽ = 0 ▽ = 0 ▽ = 0 ▽ = 0 ▽ = 0 ▽ = 0 ▽ = 0 ▽ = 0 | | EC NO: 670810 DRWN: GLLI CHK'D: YXZHENG APPR: YXZHENG | | 2021/04/27 2021/07/22 2021/07/22 | | GENERAL TOLERANCES (UNLESS SPECIFIED) ANGULAR TOL ± 3.0 ° 4 PLACES ± 3 PLACES ± 2 PLACES ± 0.2 1 PLACE ± 0.3 0 PLACES ± | | DRAFT WHERE APPLICABLE MUST REMAIN WITHIN DIMENSIONS | | DIMENSION UNITS: mm SCALE: 3:1 DRWN BY: RMV02 DATE: 2016/01/14 CHK'D BY: DATE: APPR BY: AYIN DATE: 2017/05/15 DRAWING SIZE: A3 THIRD ANGLE PROJECTION | |  SD DRAWING FOR NANO-FIT HEADER OF SMT VERTICAL SINGLE CONN. | | | |
| PRODUCT CUSTOMER DRAWING | | | | | | | | | | | | | | | |
| SERIES: 105431 | | MATERIAL NUMBER: | | CUSTOMER: GENERAL MARKET | | DOCUMENT NUMBER: SD-105431-001 | | DOC TYPE: PSD | | DOC PART: 000 | | SHEET NUMBER: 4 OF 4 | | | |