

4

3

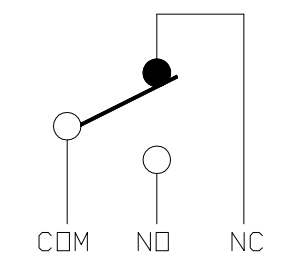
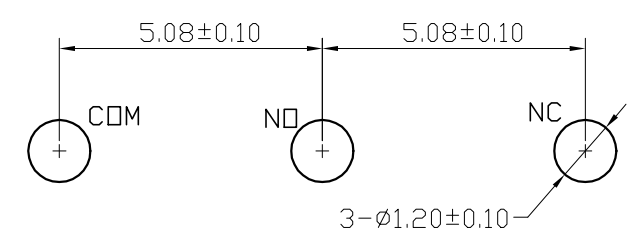
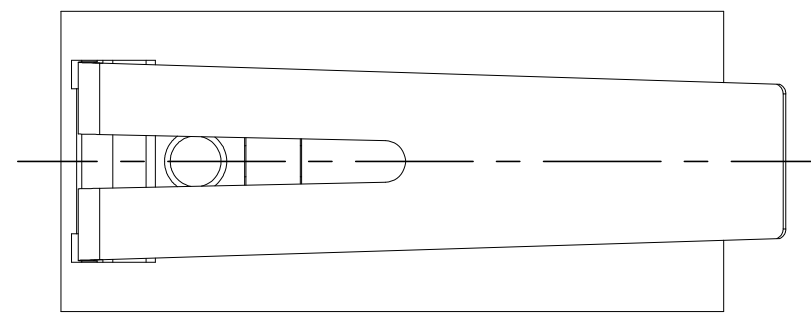
2

1

THIS DRAWING IS UNPUBLISHED. RELEASED FOR PUBLICATION  
 © COPYRIGHT - TE Connectivity Ltd. ALL RIGHTS RESERVED.

REVISIONS					
P	LTR	DESCRIPTION	DATE	DWN	APVD
1		NEW DRAWING	09MAY2019	GCM	AS

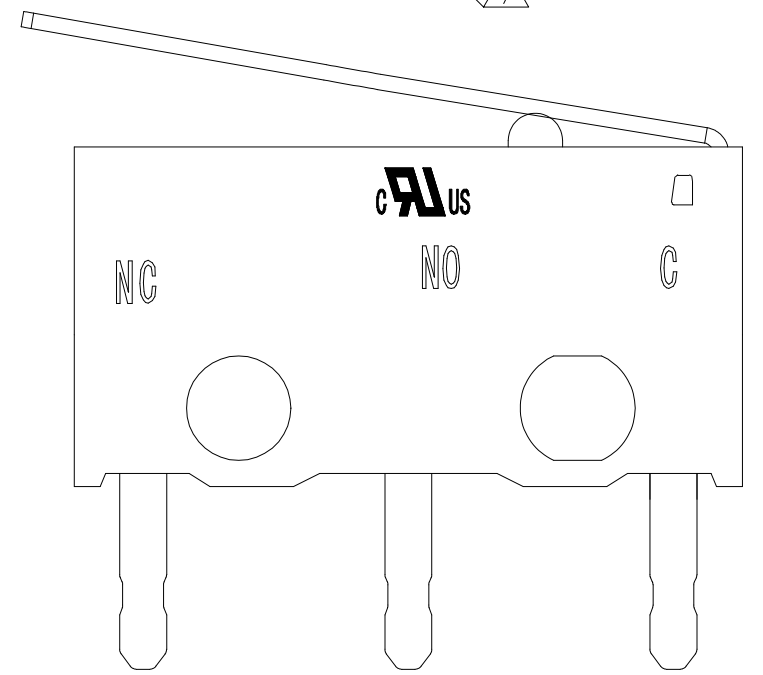
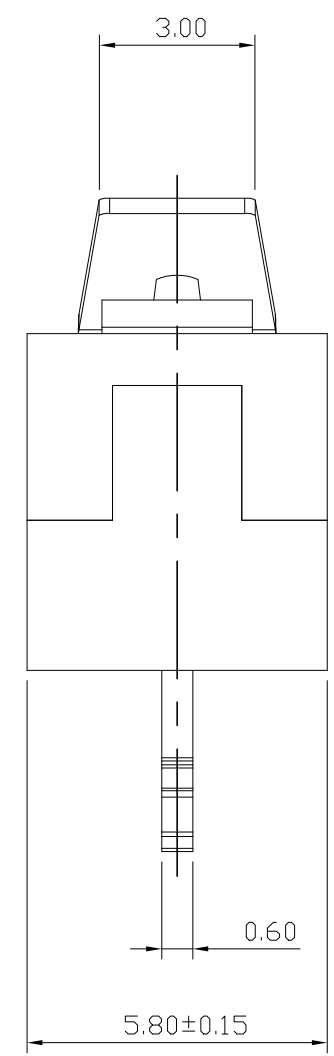
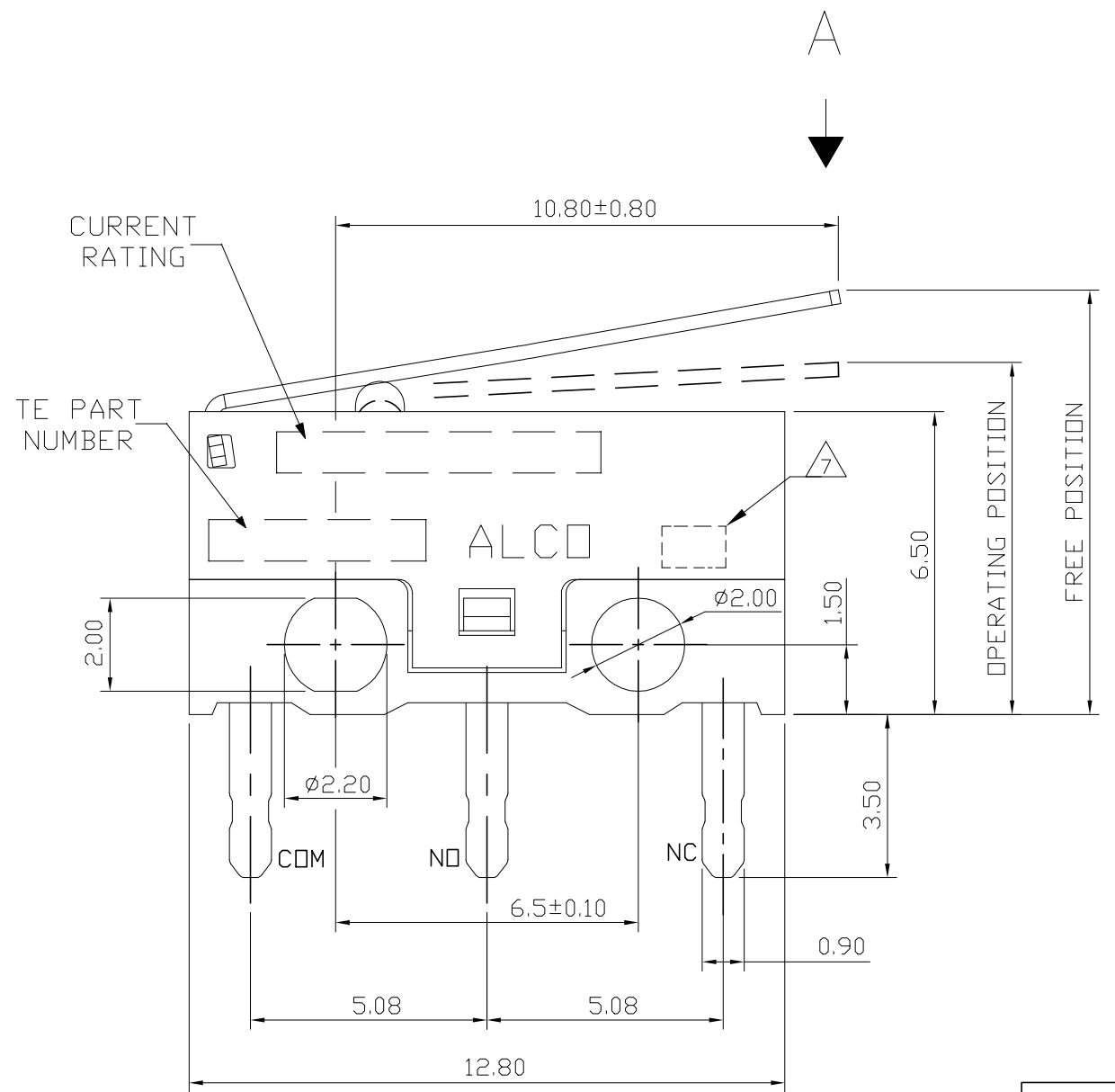
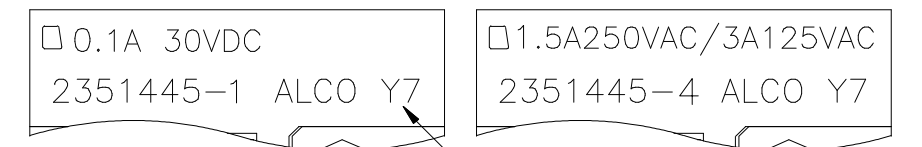
APPLICABLE FOR TE P/N  
 2351445-1  
 2351445-4



P.C.B LAYOUT

CIRCUIT DIAGRAM

PART MARKING



THIS DRAWING IS A CONTROLLED DOCUMENT.		DWN	09MAY2019		 TE Connectivity Ltd.
		CHK	09MAY2019		
		APVD	09MAY2019		
		PRODUCT SPEC	ALEXANDER SHARPE		
		APPLICATION SPEC	-		NAME SWITCH, ULTRA SUBMINIATURE SNAP ACTION, HINGE LEVER, PCB TERMINAL
		WEIGHT	-		
DIMENSIONS: mm		TOLERANCES UNLESS OTHERWISE SPECIFIED:		SIZE	RESTRICTED TO
		0 PLC ± - 1 PLC ± - 2 PLC ± 0.4 3 PLC ± - 4 PLC ± - ANGLES ± -		A3	
MATERIAL		FINISH		CAGE CODE	DRAWING NO
-		-		00779	
				SCALE	SHEET
				NTS	
				CUSTOMER DRAWING	1 of 4
				REV	1

**PRELIMINARY**

4

3

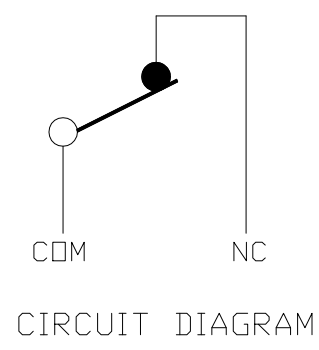
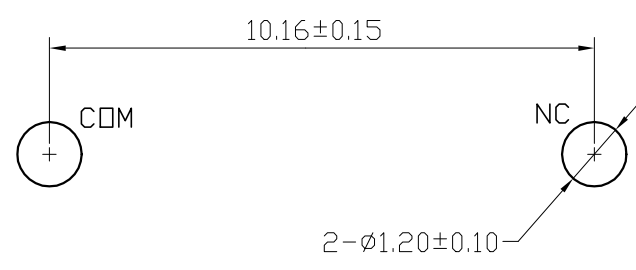
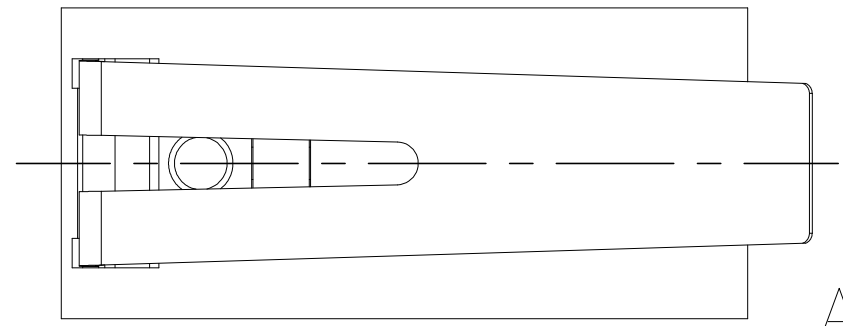
2

1

THIS DRAWING IS UNPUBLISHED. RELEASED FOR PUBLICATION  
 © COPYRIGHT - TE Connectivity Ltd. ALL RIGHTS RESERVED.

REVISIONS				
P	LTR	DESCRIPTION	DATE	APVD
-	-	SEE SHEET 1	-	-

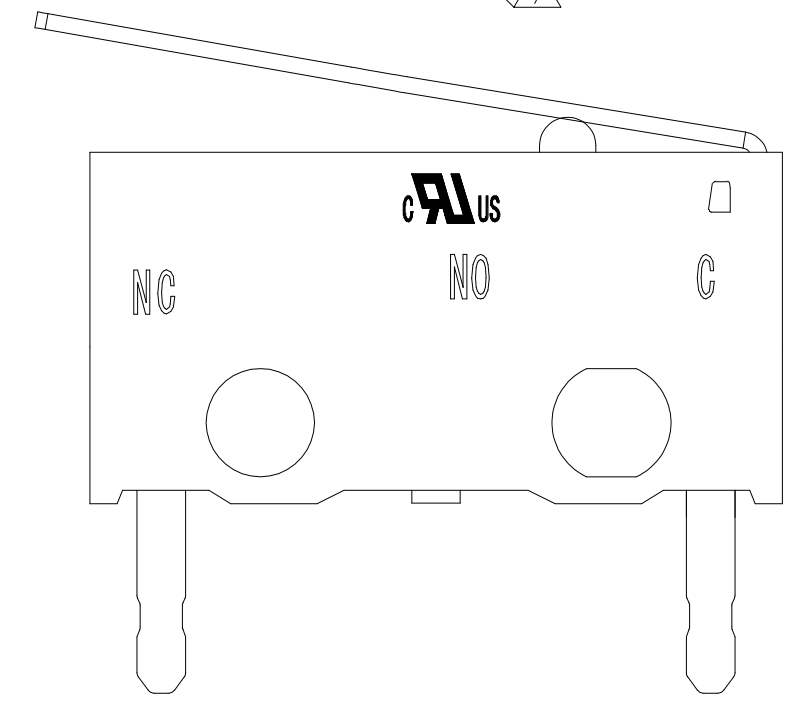
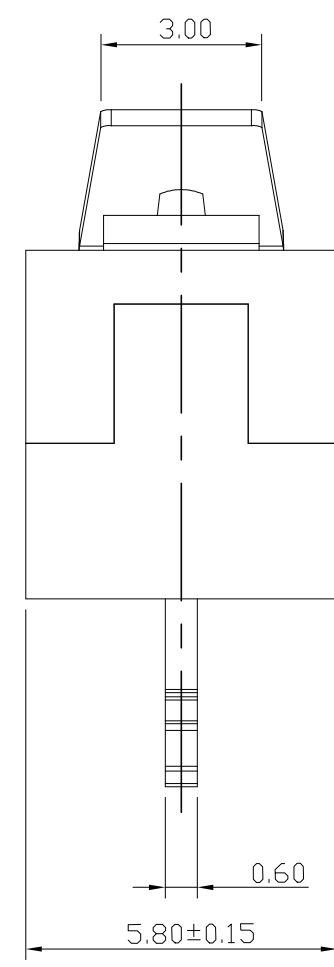
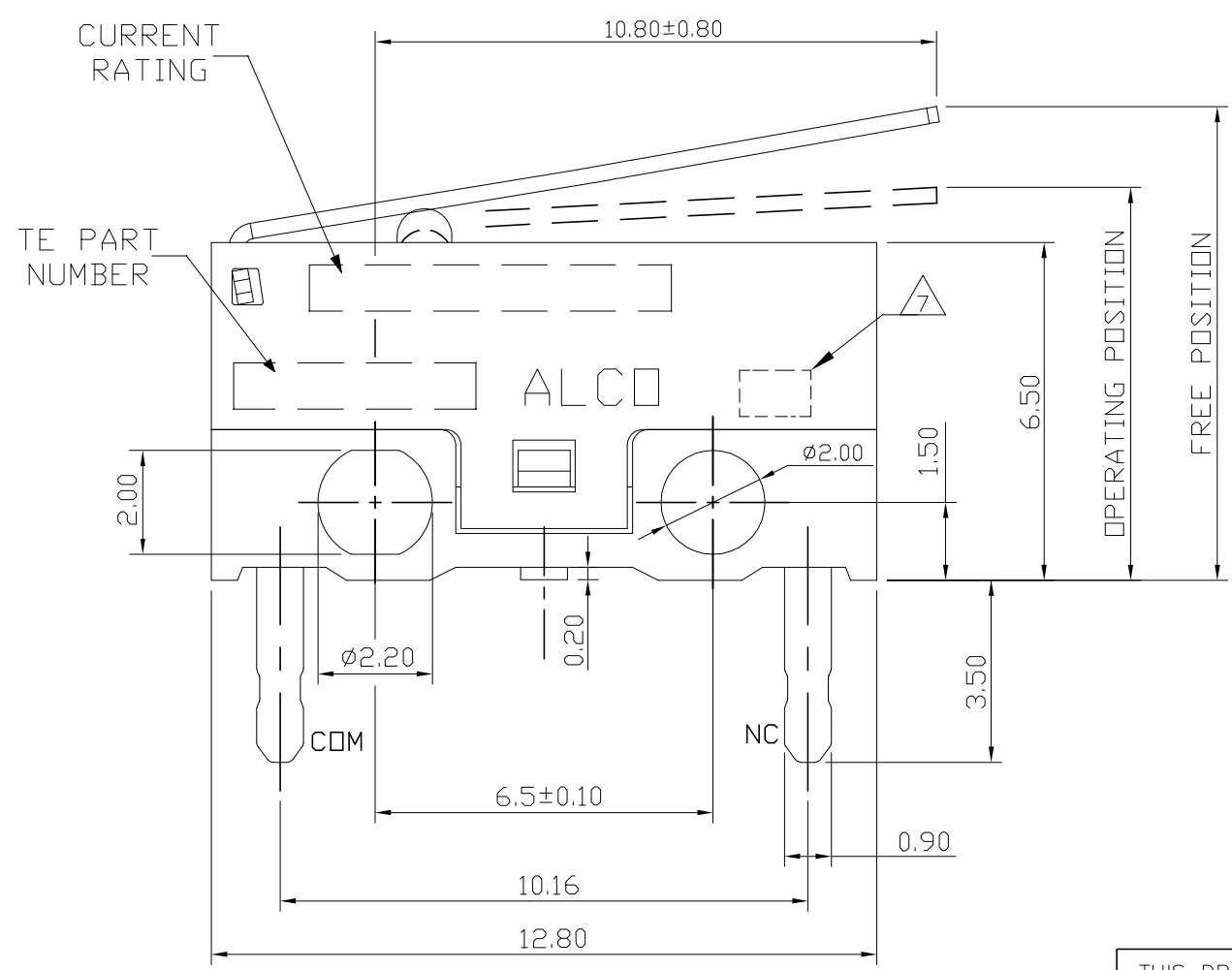
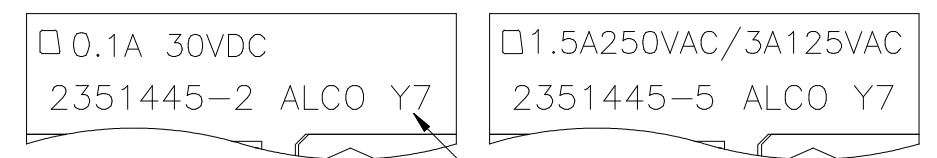
APPLICABLE FOR TE P/N  
 2351445-2  
 2351445-5



P.C.B LAYOUT

CIRCUIT DIAGRAM

PART MARKING



THIS DRAWING IS A CONTROLLED DOCUMENT.		DWN 09MAY2019 GANESH CM	TE Connectivity Ltd.	
DIMENSIONS: mm		CHK 09MAY2019 ALEXANDER SHARPE		
TOLERANCES UNLESS OTHERWISE SPECIFIED:		APVD 09MAY2019 ALEXANDER SHARPE	NAME SWITCH, ULTRA SUBMINIATURE SNAP ACTION, HINGE LEVER, PCB TERMINAL	
0 PLC ± - 1 PLC ± - 2 PLC ± 0.4 3 PLC ± - 4 PLC ± - ANGLES ± -		PRODUCT SPEC	SIZE A3	
MATERIAL		APPLICATION SPEC	CAGE CODE 00779	DRAWING NO C-2351445
FINISH		WEIGHT	RESTRICTED TO	
		CUSTOMER DRAWING	SCALE NTS	SHEET 2 of 4
			REV 1	

# PRELIMINARY

4

3

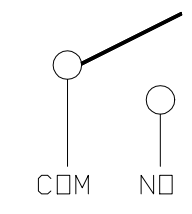
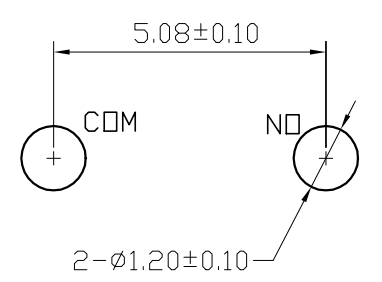
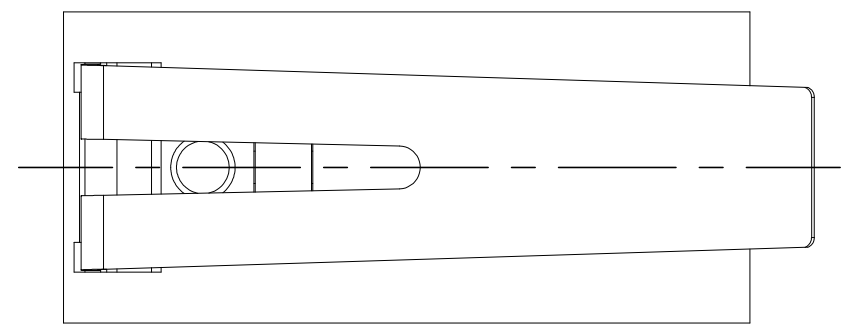
2

1

THIS DRAWING IS UNPUBLISHED. RELEASED FOR PUBLICATION  
 © COPYRIGHT - TE Connectivity Ltd. ALL RIGHTS RESERVED.

REVISIONS					
P	LTR	DESCRIPTION	DATE	DWN	APVD
-	-	SEE SHEET 1	-	-	-

APPLICABLE FOR TE P/N  
 2351445-3  
 2351445-6

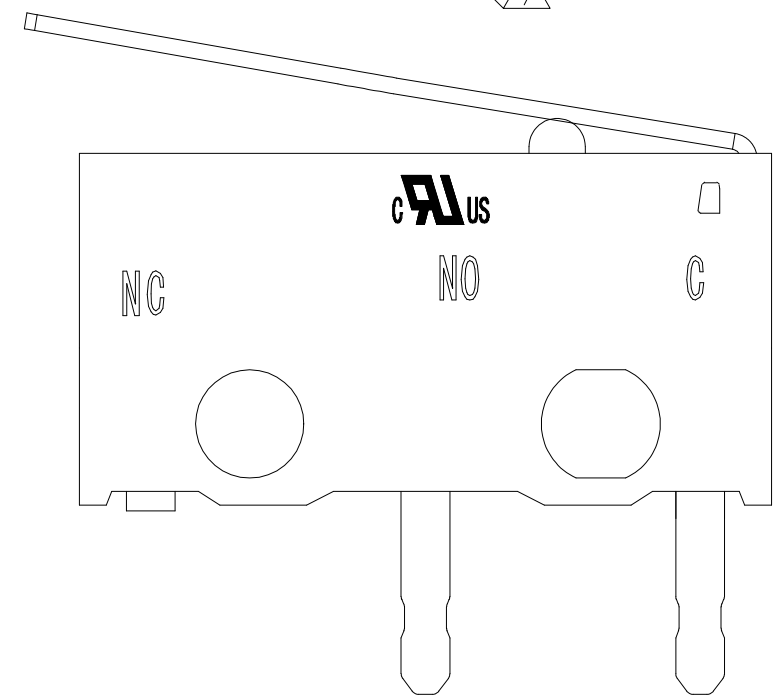
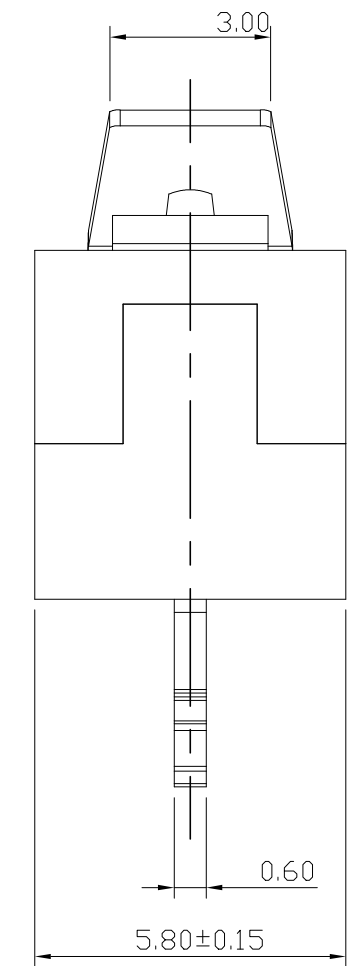
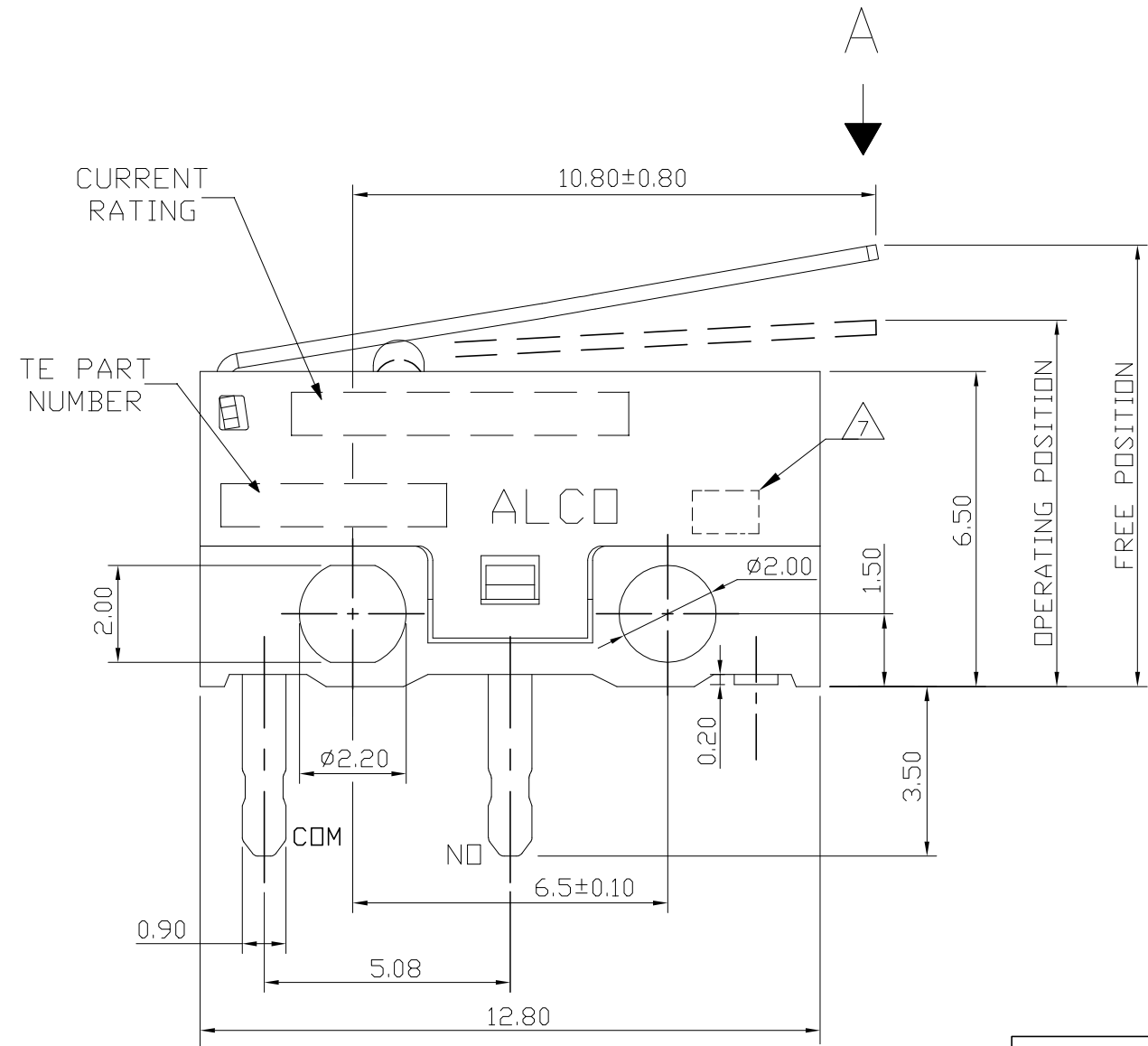


CIRCUIT DIAGRAM

P.C.B LAYOUT

PART MARKING

□ 0.1A 30VDC 2351445-3 ALCO Y7	□ 1.5A250VAC/3A125VAC 2351445-6 ALCO Y7
-----------------------------------	--



THIS DRAWING IS A CONTROLLED DOCUMENT.		DWN 09MAY2019 GANESH CM	TE Connectivity Ltd.	
DIMENSIONS: mm		CHK 09MAY2019 ALEXANDER SHARPE		
TOLERANCES UNLESS OTHERWISE SPECIFIED:		APVD 09MAY2019 ALEXANDER SHARPE	NAME SWITCH, ULTRA SUBMINIATURE SNAP ACTION, HINGE LEVER, PCB TERMINAL	
0 PLC ± - 1 PLC ± - 2 PLC ± 0.4 3 PLC ± - 4 PLC ± - ANGLES ± -		PRODUCT SPEC	SIZE CAGE CODE DRAWING NO RESTRICTED TO	
MATERIAL		APPLICATION SPEC	A3 00779 C-2351445	
FINISH		WEIGHT	SCALE NTS SHEET 3 of 4 REV 1	
CUSTOMER DRAWING				

# PRELIMINARY

THIS DRAWING IS UNPUBLISHED.

RELEASED FOR PUBLICATION

REVISIONS

© COPYRIGHT - TE Connectivity Ltd.

ALL RIGHTS RESERVED.

P	LTR	DESCRIPTION	DATE	DWN	APVD
-	-	SEE SHEET 1	-	-	-

NOTES:

- OPERATING CHARACTERISTICS ARE FOR OPERATION IN THE A DIRECTION ↓
- PACKAGING:  
SWITCHES ARE BULK PACKAGED IN BAGS, 500 SWITCHES PER BAG, 2 BAGS PER BOX.
- COMPLIANCE:  
THE CURRENT STATEMENT OF COMPLIANCE IS AVAILABLE AT TE.COM.
- MATERIAL AND FINISH:  
LEVER: STAINLESS STEEL  
BUTTON: THERMOPLASTIC, WHITE  
COVER: THERMOPLASTIC, BLACK  
BASE: THERMOPLASTIC, BLACK  
SPRING PLATE: COPPER ALLOY  
CONTACT: SILVER ALLOY, SILVER PLATED  
TERMINAL: BRASS, SILVER PLATED
- SPECIFICATIONS:  
CURRENT RATING: SEE TABLE  
CONTACT RESISTANCE: 100mΩ MAXIMUM INITIAL, AT FREE POSITION AND TOTAL TRAVEL POSITION.  
INSULATION RESISTANCE: 100MΩ MINIMUM @ 500 V DC FOR 1 MINUTE, INITIAL  
DIELECTRIC WITHSTANDING VOLTAGE, BETWEEN TERMINALS OF THE SAME POLARITY: 600 V AC, 50 TO 60 Hz FOR 1 MINUTE  
DIELECTRIC WITHSTANDING VOLTAGE, BETWEEN EACH TERMINAL AND GROUND: 1500 V AC, 50 TO 60 Hz FOR 1 MINUTE  
DIELECTRIC WITHSTANDING VOLTAGE, BETWEEN EACH TERMINAL AND NON-CURRENT CARRYING METAL PART: 1500 V AC, 50 TO 60 Hz FOR 1 MINUTE
- SOLDER PROCESS:  
MANUAL SOLDERING: 350°C, 3 SECONDS MAXIMUM, 30 TO 40 WATTS. PREVENT SOLDER AND FLUX CONTACTING THE SWITCH BODY.  
DO NOT OPERATE THE SWITCH DURING THE FIRST MINUTE AFTER SOLDERING.  
WAVE SOLDERING: 260°C, 5 SECONDS MAXIMUM. PREVENT SOLDER AND FLUX CONTACTING THE SWITCH BODY.  
DO NOT OPERATE THE SWITCH DURING THE FIRST MINUTE AFTER SOLDERING.

△ 7 DATE CODE : ① ②

①	MONTH	1 TO 9, X, Y, Z (X=10, Y=11, Z=12)
②	YEAR	0 TO 9 (EX: 7=2017)

8. CERTIFICATION: 

CONTACT FINISH	CONTACT FORM	MECHANICAL LIFE	ELECTRICAL LIFE	STORAGE TEMPERATURE RANGE/HUMIDITY RANGE	OPERATING TEMPERATURE RANGE/HUMIDITY RANGE	MOVEMENT DIFFERENTIAL	OVERTRAVEL	OPERATING POSITION	FREE POSITION	RELEASE FORCE	OPERATING FORCE	RATING RESISTIVE LOAD	CONTACT CONFIGURATION	TE SMART PART NUMBER	PART NUMBER
SILVER	SPST, NORMALLY OPEN	500,000 CYCLES, MINIMUM	6,000 CYCLES, MINIMUM	-40 TO +85°C/85% RELATIVE HUMIDITY MAXIMUM	-25 TO +75°C/60% RELATIVE HUMIDITY MAXIMUM	0.50 MAXIMUM	0.55 MINIMUM	8.5±1.5	11.5 MAXIMUM	0.02N MINIMUM	0.39 MAXIMUM	3 A, 125 VAC, 1.5 A, 250 VAC	MOMENTARY	SAJ13XXHL0N88SNOPTQ	2351445-6
	SPST, NORMALLY CLOSED													SAJ13XXHL0N88SNCPTQ	2351445-5
	SPDT													SAJ13XXHL0N88SDTPTQ	2351445-4
	SPST, NORMALLY OPEN	1,000,000 CYCLES, MINIMUM	30,000 CYCLES, MINIMUM											SAJ101XHL0N74SNOPTQ	2351445-3
	SPST, NORMALLY CLOSED													SAJ101XHL0N74SNCPTQ	2351445-2
	SPDT													SAJ101XHL0N74SDTPTQ	2351445-1

THIS DRAWING IS A CONTROLLED DOCUMENT.

DWN 09MAY2019 GANESH CM

CHK 09MAY2019 ALEXANDER SHARPE

APVD 09MAY2019 ALEXANDER SHARPE

PRODUCT SPEC

APPLICATION SPEC

WEIGHT -

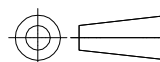
CUSTOMER DRAWING

 TE Connectivity Ltd.

NAME SWITCH, ULTRA SUBMINIATURE SNAP ACTION, HINGE LEVER, PCB TERMINAL

SIZE	CAGE CODE	DRAWING NO	RESTRICTED TO
A3	00779	2351445	-

DIMENSIONS: mm



TOLERANCES UNLESS OTHERWISE SPECIFIED:	
0 PLC	± -
1 PLC	± -
2 PLC	± 0.4
3 PLC	± -
4 PLC	± -
ANGLES	± -
FINISH	-

**PRELIMINARY**