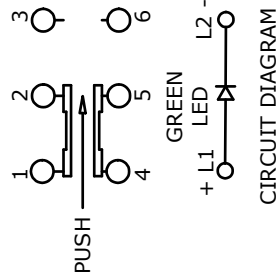
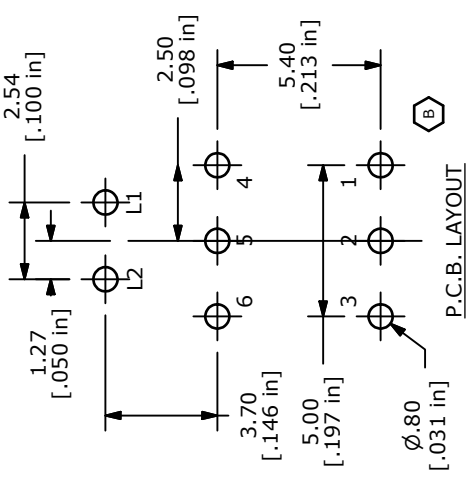


▲ LED SPECS	UNITS	GREEN
FORWARD CURRENT	mA	20
FORWARD VOLTAGE	V	2.0-2.6
LUMINOUS INTENSITY	MCD	-

E-SWITCH™	
TITLE TL22050ABPGB	
SCALE 2:1	DATE 1/20/2010
DR rc	DWG B401015
REV B	REV B



- NOTES:
1. ALL DIMENSIONS IN MM [INCH]
 2. GENERAL TOLERANCE: X.X±0.4
X.XX±0.25
 3. TERMINAL NUMBERS FOR REF. ONLY
 4. CONTACT RATING: 0.1A @ 30VDC
 - ▲ 5. TRAVEL: FULL = 2.5±0.3
 6. OPERATING FORCE: 250± 100gf
 7. ELECTRICAL LIFE: 10,000 CYCLES
 8. ▲ DENOTES CRITICAL PARAMETER
 9. CONTACT MATERIAL: SILVER
 10. CONTACT RESISTANCE 50m OHM MAX.
 11. OPERATING TEMPERATURE: -20c TO +70c
 12. INSULATION RESISTANCE: 100M OHMS MIN.
 - ▲ 13. LED COLOR: GREEN
 14. 2002/95/EC (RoHS) COMPLIANT AND HALOGEN FREE

B	19554	DIM CHANGES & UPDATE	12/30/10	BGL
A	18806	New-Release	1/20/10	rc
REV	PCR NO	DESCRIPTION	DATE	BY

THE INFORMATION CONTAINED IN THIS DOCUMENT IS PROPRIETARY TO E-SWITCH AND IS NOT TO BE COPIED OR TRANSFERRED